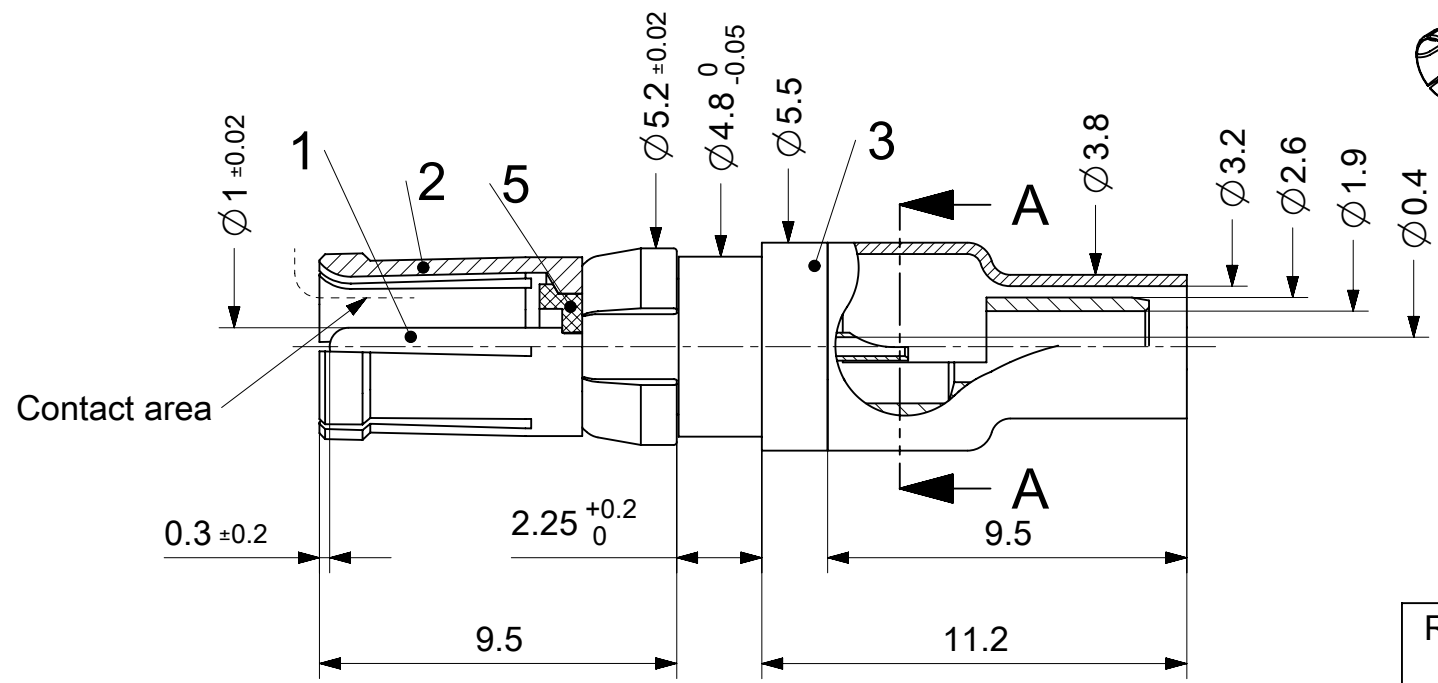
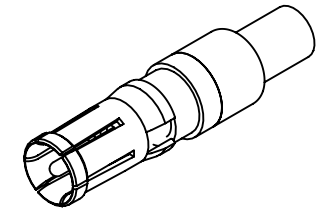


Solderpot position
A-A

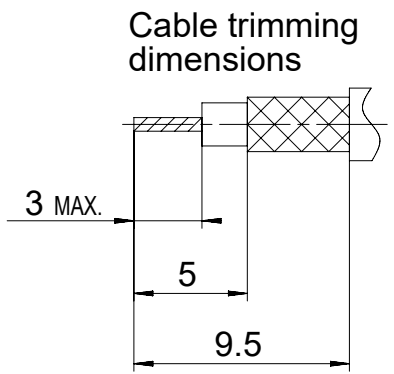


RoHS compliant
by exemption



Crimping tools see document 2195600660
Cable RG179BU, RG187AU

1731120055	FMX003S102	102
Material Number	FCT Part Number	Material + Finish See extra sheet



UNLESS OTHERWISE SPECIFIED DIMENSIONS FOR REFERENCE ONLY				REPLACEMENT FOR DOCUMENT NUMBER: FMX003S			
THIS DRAWING CONTAINS INFORMATION THAT IS PROPRIETARY TO MOLEX ELECTRONIC TECHNOLOGIES, LLC AND SHOULD NOT BE USED WITHOUT WRITTEN PERMISSION							
FUNCTIONAL SYMBOLS		DIMENSION UNITS		SCALE		CURRENT REV DESC:	
FA = 0		mm		5:1		EC NO: 710219	
FE = 0		GENERAL TOLERANCES (UNLESS SPECIFIED)		4 PLACES ±		DRWN: VLOKESHA 2021/04/22	
FP = 0		ANGULAR TOL ± °		3 PLACES ±		CHK'D: MTEUBEL 2022/06/22	
DIVISIONAL SYMBOLS		2 PLACES ±		1 PLACE ±		APPR: MTEUBEL 2022/06/22	
DRAFT WHERE APPLICABLE MUST REMAIN WITHIN DIMENSIONS		FIRST ANGLE PROJECTION		DRAWING		SERIES	
		A4-SIZE		173112		MATERIAL NUMBER	
		SEE TABLE		GENERAL MARKET		SHEET NUMBER	
		1 OF 1					

molex

FCT 75 OHM COAXIAL CONTACT FOR D-SUB

PRODUCT CUSTOMER DRAWING

DOCUMENT NUMBER	DOC TYPE	DOC PART	REVISION
1731120055	PSD	000	A

DOCUMENT STATUS	P1	RELEASE DATE	2022/06/22	10:22:26
-----------------	----	--------------	------------	----------