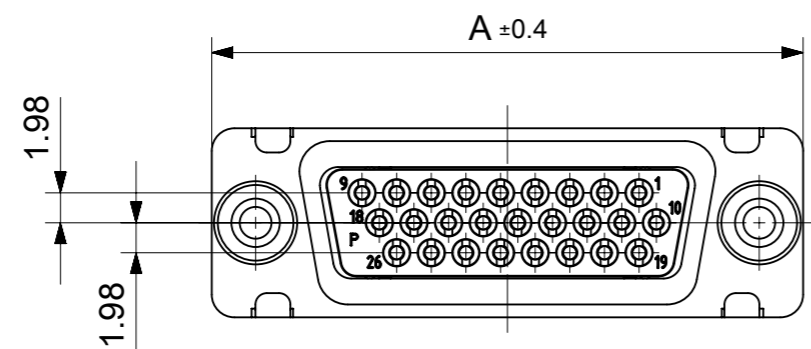
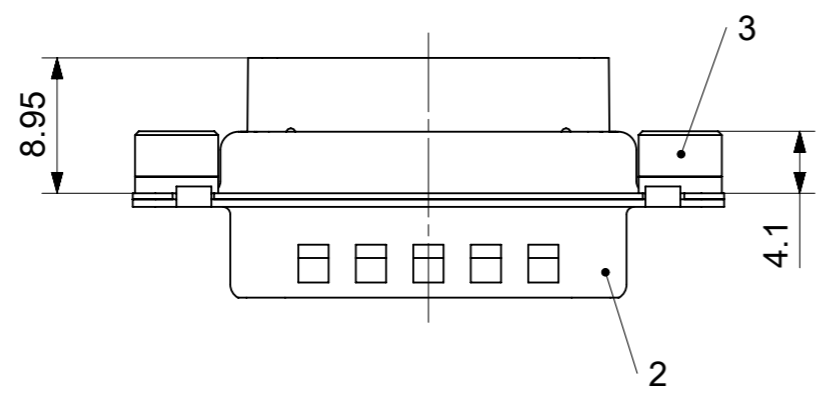
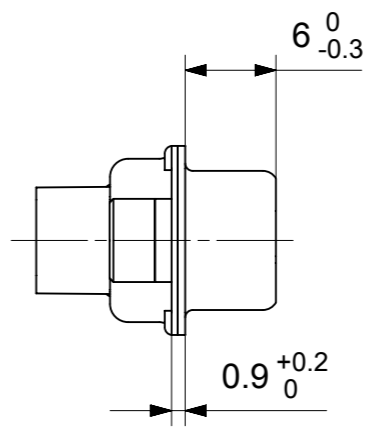
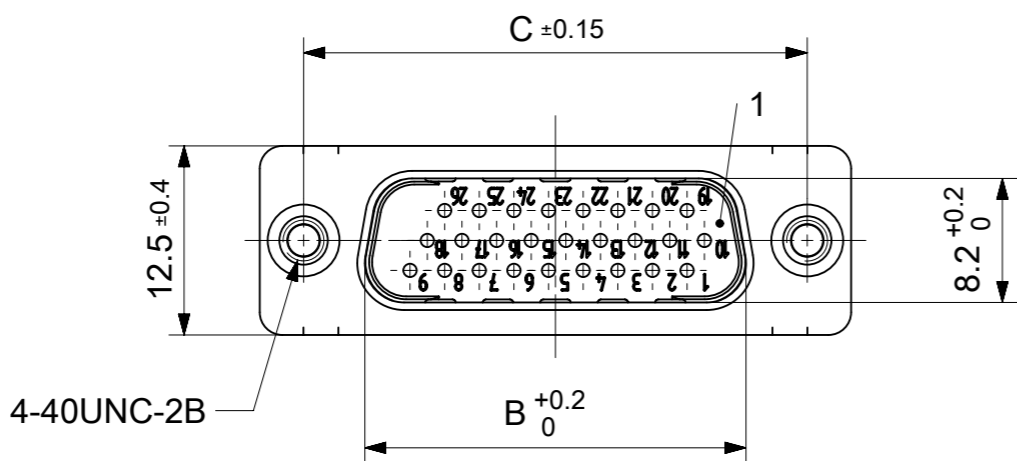


RoHS compliant
by exemption



FCT Part number:

FLTSx-x*1)P7

e.g. FLTS15-26P7

*1) x-x No. of contacts 09-15, 15-26, 25-44 or 37-62

Material Number	x-x*1)	A[mm]	B[mm]	C[mm]	No. of Contacts 1./2./3. row
1731130381	09-15	30.8	16.9	25	5/5/5
1731130383	15-26	39.1	25.2	33.3	9/9/8
-	25-44	53	38.9	47.04	15/15/14
-	37-62	69.3	55.3	63.5	21/21/20

Crimp contacts not supplied with connector.
Contacts must be ordered separately.

FCT will guarantee the retention forces according to DIN 41652
only with machined contacts supplied by FCT.

No.	Pc.	Part	Type Description/Material	Surface plating/ Color/Class
3	2	Clinch nut, self locking	FTS 4-40 / Steel	tin plated
2	1	Shell	Steel	tin plated
1	1	Insulator	Thermoplastic	black

MEASUREMENTS WITHOUT TOLERANCE ACC TO ISO 2768-m

REPLACEMENT FOR DOCUMENT NUMBER: FLTSxxP7 / FLTS09-15P7

FUNCTIONAL SYMBOLS: THIS DRAWING CONTAINS INFORMATION THAT IS PROPRIETARY TO MOLEX ELECTRONIC TECHNOLOGIES, LLC AND SHOULD NOT BE USED WITHOUT WRITTEN PERMISSION

SCALE: 2:1

GENERAL TOLERANCES (UNLESS SPECIFIED):

ANGULAR TOL ± °

4 PLACES ±

3 PLACES ±

2 PLACES ±

1 PLACE ±

0 PLACES ±

DIVISIONAL SYMBOLS

DRAFT WHERE APPLICABLE MUST REMAIN WITHIN DIMENSIONS

FIRST ANGLE PROJECTION

DRAWING: A3-SIZE

SERIES: 173113

MATERIAL NUMBER: SEE TABLE

CUSTOMER: GENERAL MARKET

SHEET NUMBER: 1 OF 1

EC NO: 732996

DRWN: SKANDB 2022/04/08

CHK'D: MTEUBEL 2022/12/21

APPR: MTEUBEL 2022/12/21

INITIAL REVISION:

DRWN: SKANDB 2022/04/08

APPR: MTEUBEL 2022/12/21

DOCUMENT NUMBER: 1731130381

DOC TYPE: PSD

DOC PART: 000

REVISION: A

molex

FCT HIGH DENSITY CRIMP CONNECTOR

PRODUCT CUSTOMER DRAWING