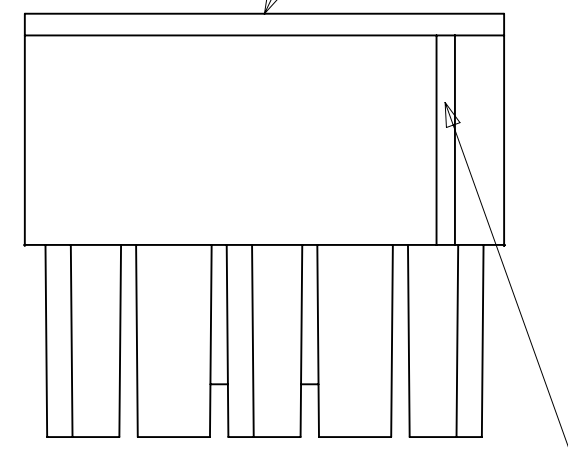
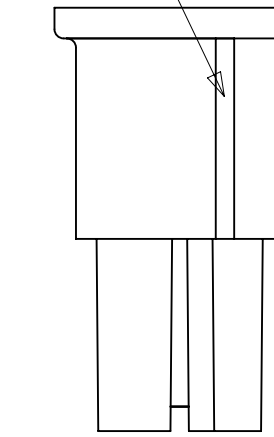
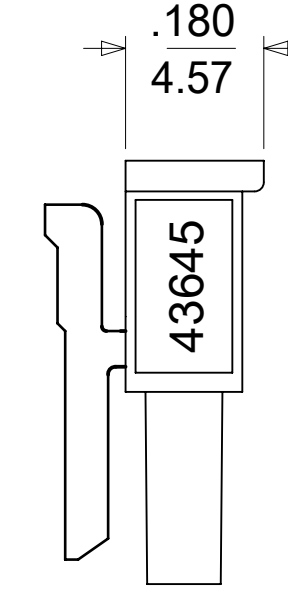
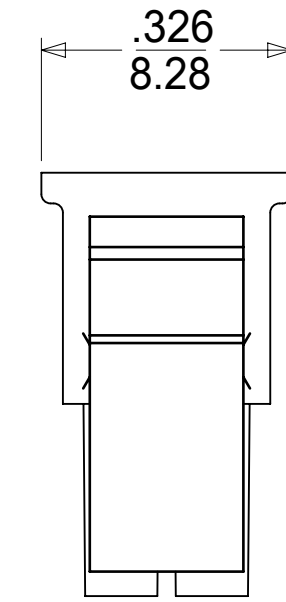


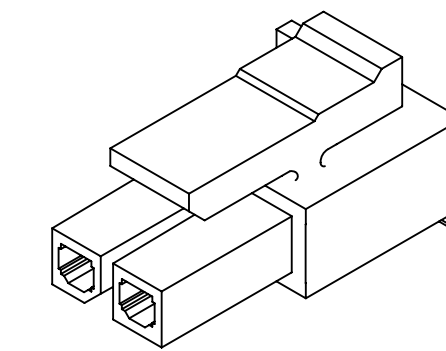
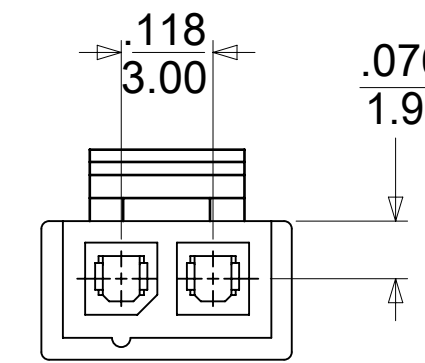
SEE NOTE 10



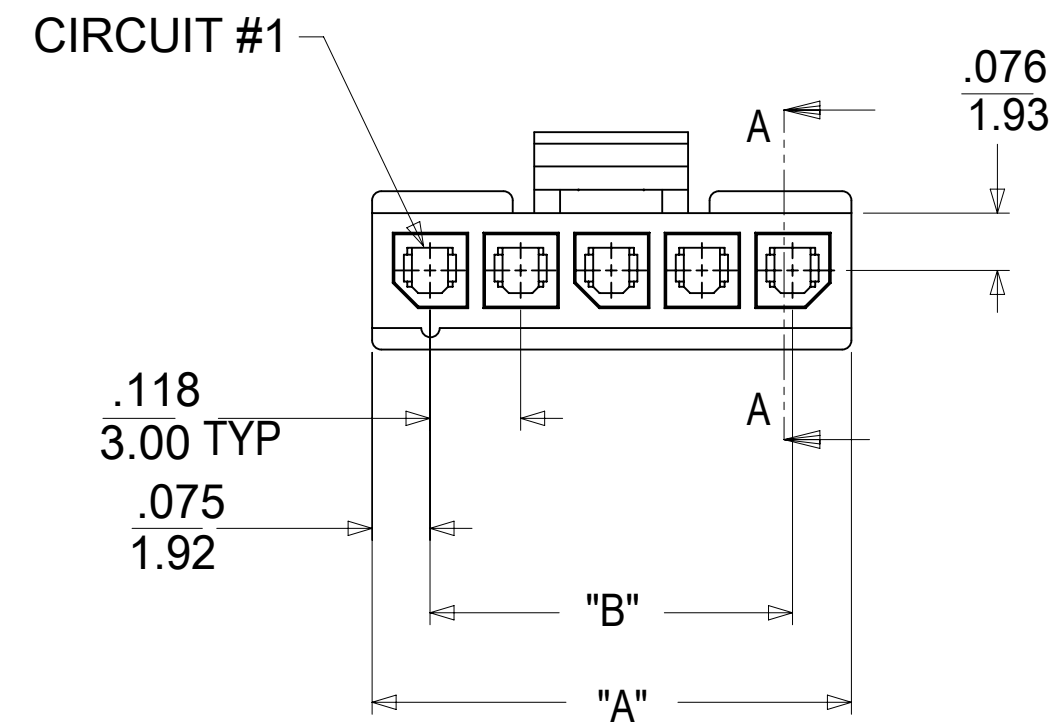
CIRCUIT #1 IDENTIFIER



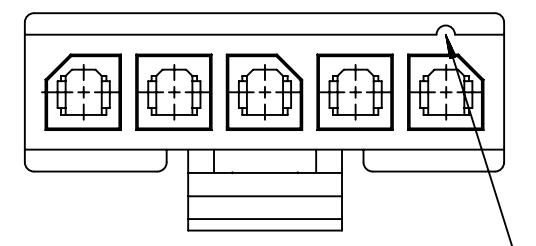
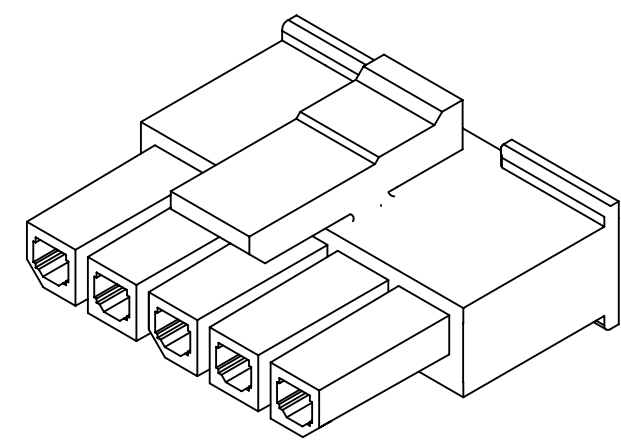
CIRCUIT #1 IDENTIFIER



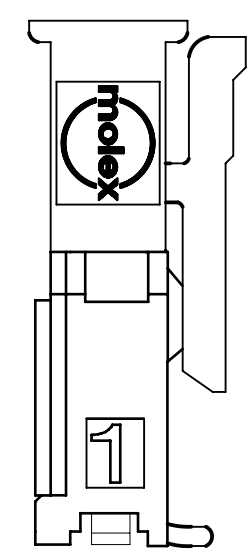
(2 CIRCUIT HOUSING)



(3-12 CIRCUIT HOUSING)

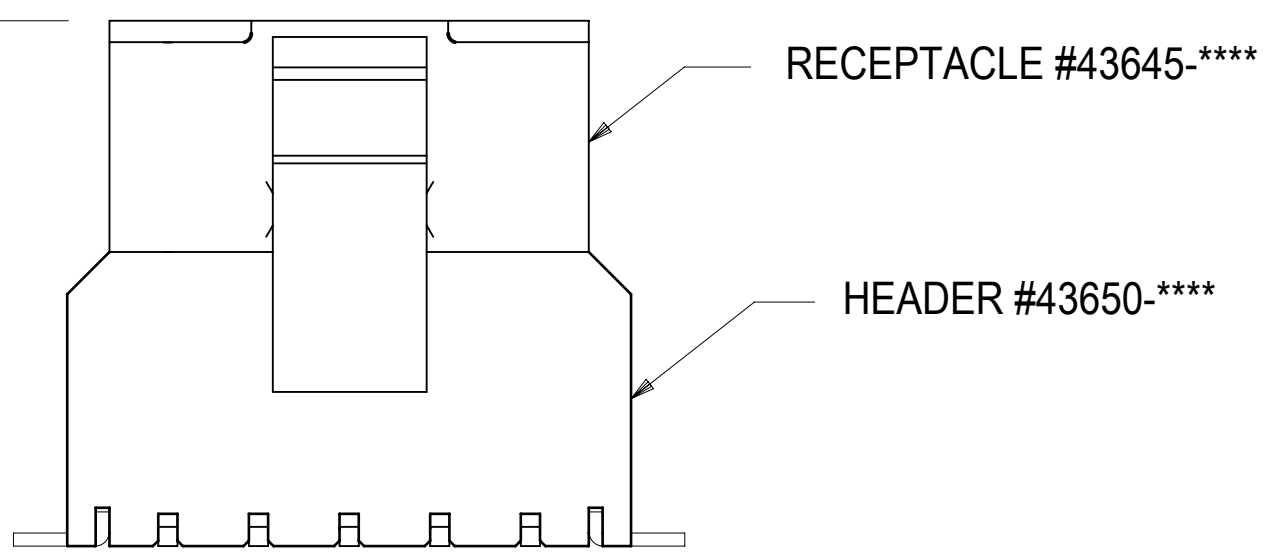


FIRST CIRCUIT IDENTIFIER RIB (ALL CIRCUIT SIZES)



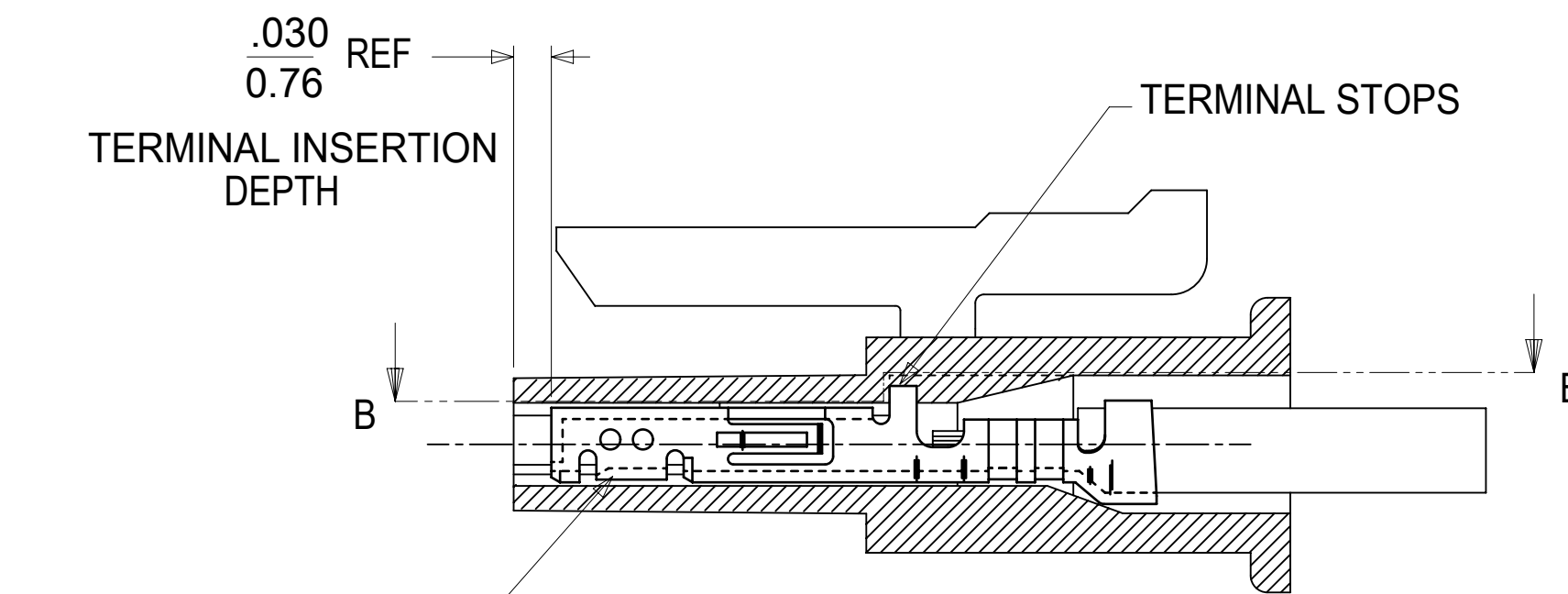
.691 (17.56)

MATED MICRO-FIT CONNECTOR



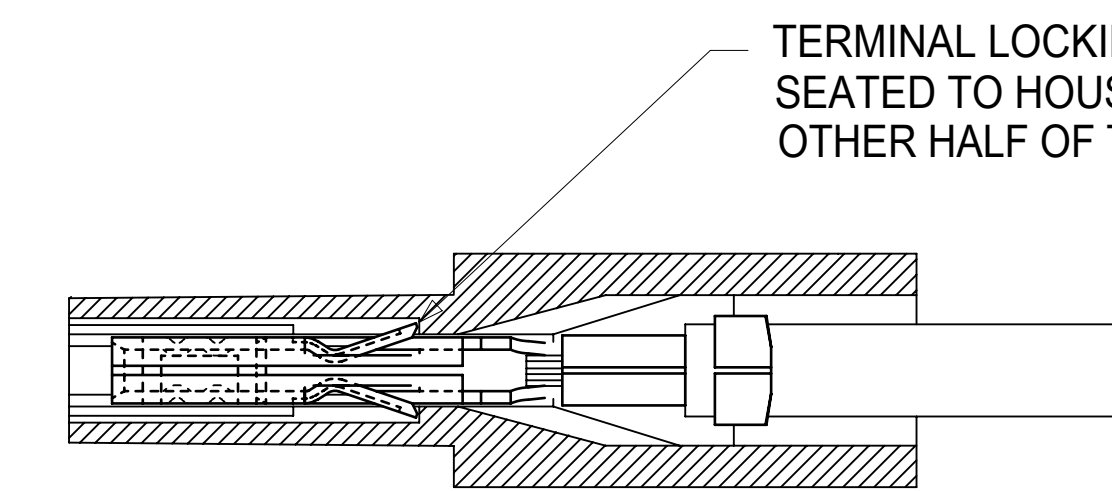
RECEPTACLE #43645-****

HEADER #43650-****



SECTION "A"-A"

SHOWN WITH TERMINAL INSTALLED

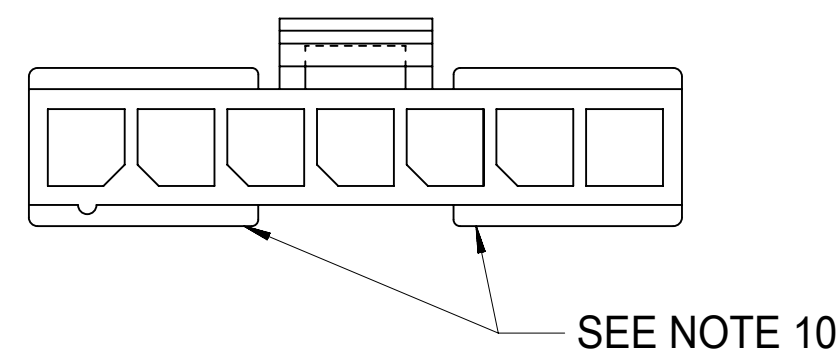


SECTION "B"-B"

TERMINAL LOCKING TABS MUST BE FULLY SEATED TO HOUSING BEFORE MATING WITH OTHER HALF OF THE CONNECTOR SYSTEM.

NOT RELEASED	ITEM NUMBER	NUMBER OF CIRCUIT	DIM. "A"	DIM. "B"
	43645-0208	02	SEE DETAIL	.118/(3.00)
	43645-0308	03	.388/(9.85)	.236/(6.00)
	43645-0408	04	.506/(12.85)	.354/(9.00)
	43645-0508	05	.624/(15.85)	.472/(12.00)
	43645-0608	06	.742/(18.85)	.591/(15.00)
X		07	.860/(21.85)	.709/(18.00)
X		08	.978/(24.85)	.827/(21.00)
X		09	1.096/(27.85)	.945/(24.00)
X		10	1.215/(30.85)	1.063/(27.00)
X		11	1.333/(33.85)	1.181/(30.00)
	43645-1208	12	1.451/(36.85)	1.299/(33.00)

- NOTES:
1. MATERIAL: UNFILLED NYLON, UL94V-0, COLOR - BLACK (LOW HALOGEN)
 2. FINISH : N/A
 3. PRODUCT SPECIFICATION : PS-43650
 4. PACKAGING SPECIFICATION: PK-43645-001
 5. THIS RECEPTACLE ACCEPTS MOLEX MICRO FIT FEMALE CRIMP TERMINALS SERIES 43030 OR 46235. SEE SECTION "A"-A" FOR TERMINAL ORIENTATION IN HOUSING.
 6. FOR OVERMOLDING PARAMETERS SEE APPLICATION SPECIFICATION 430250000-AS.
 7. THIS RECEPTACLE MATES WITH MOLEX PCB HEADER 43650 SERIES AND MOLEX PLUG 43640 SERIES (WIRE TO WIRE APPLICATIONS).
 8. SOME HOUSINGS MAY HAVE A SMALL GATE BLEMISH NEAR THE GATE LOCATION THAT DOES NOT AFFECT FUNCTIONALITY.
 9. MOLEX RECOMMENDS THE USE OF MICRO-FIT TEST PLUG, SERIES 44242-**** WHENEVER CONTINUITY TESTING IS PERFORMED. TEST PLUGS MUST NOT BE USED TO MAKE OR BREAK UNDER LOAD. MOLEX DOES NOT RECOMMEND USING STANDARD MATING COMPONENTS FOR HARNESS TESTING PURPOSES.
 10. THIS RIB IS DISCONTINUOUS ON CIRCUIT SIZES 7 THROUGH 12
 11. THIS PART CONFORMS TO CLASS 'B' REQUIREMENTS OF COSMETIC SPECIFICATION PS-45499-002.
 12. TEXT ON PART IS FOR REFERENCE ONLY. TEXT AND TEXT LOCATION MAY VARY DEPENDING ON PART NUMBER AND/OR TOOL.



SEE NOTE 10

FUNCTIONAL SYMBOLS FA = 0 FC = 0 FP = 0	THIS DRAWING CONTAINS INFORMATION THAT IS PROPRIETARY TO MOLEX ELECTRONIC TECHNOLOGIES, LLC AND SHOULD NOT BE USED WITHOUT WRITTEN PERMISSION		CURRENT REV DESC: 43645-1208 TOOLED	
	DIMENSION UNITS	SCALE		
	INCH/MM	NTS		
	GENERAL TOLERANCES (UNLESS SPECIFIED)			
DIVISIONAL SYMBOLS		MM	INCH	
	4 PLACES	±	±	
	3 PLACES	±	± 0.01	
	2 PLACES	± 0.25	± 0.014	
	1 PLACE	± 0.35	±	
	0 PLACES	±	±	
	ANGULAR TOL	± 0.5°		
DRAFT WHERE APPLICABLE MUST REMAIN WITHIN DIMENSIONS		THIRD ANGLE PROJECTION		
		DRAWING		SERIES
		D-SIZE		43645
DOCUMENT NUMBER		CUSTOMER		SHEET NUMBER
SD-43645-001		GENERAL MARKET		1 OF 1

DOCUMENT STATUS	P1	RELEASE DATE	2022/12/19 22:07:24
-----------------	----	--------------	---------------------