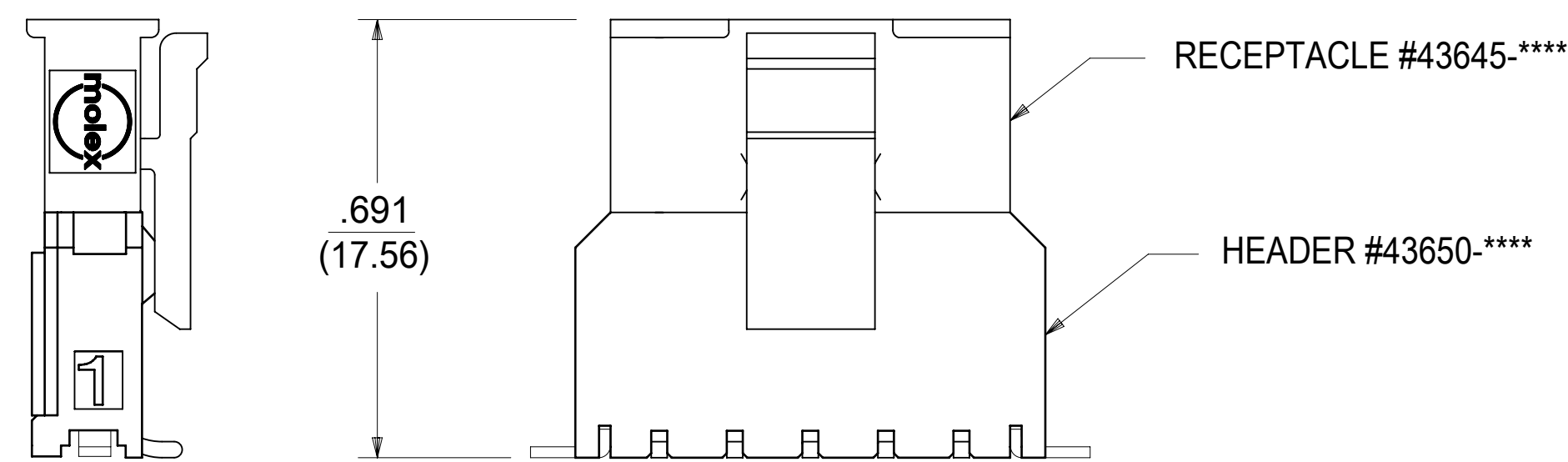


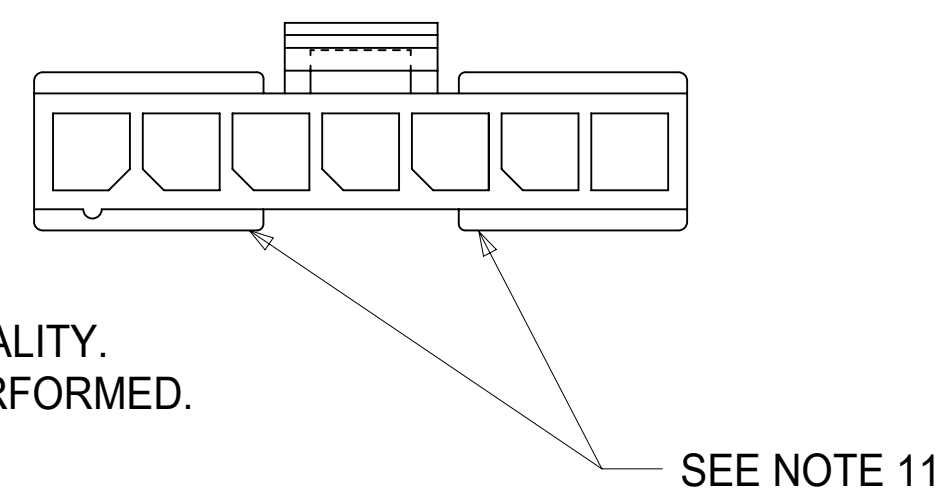
(3-12 CIRCUIT HOUSING)



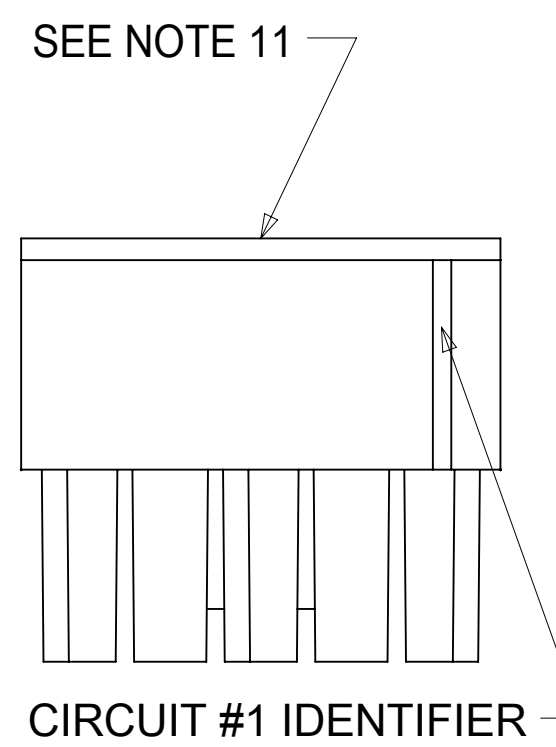
MATED MICRO-FIT CONNECTOR

NOTES:

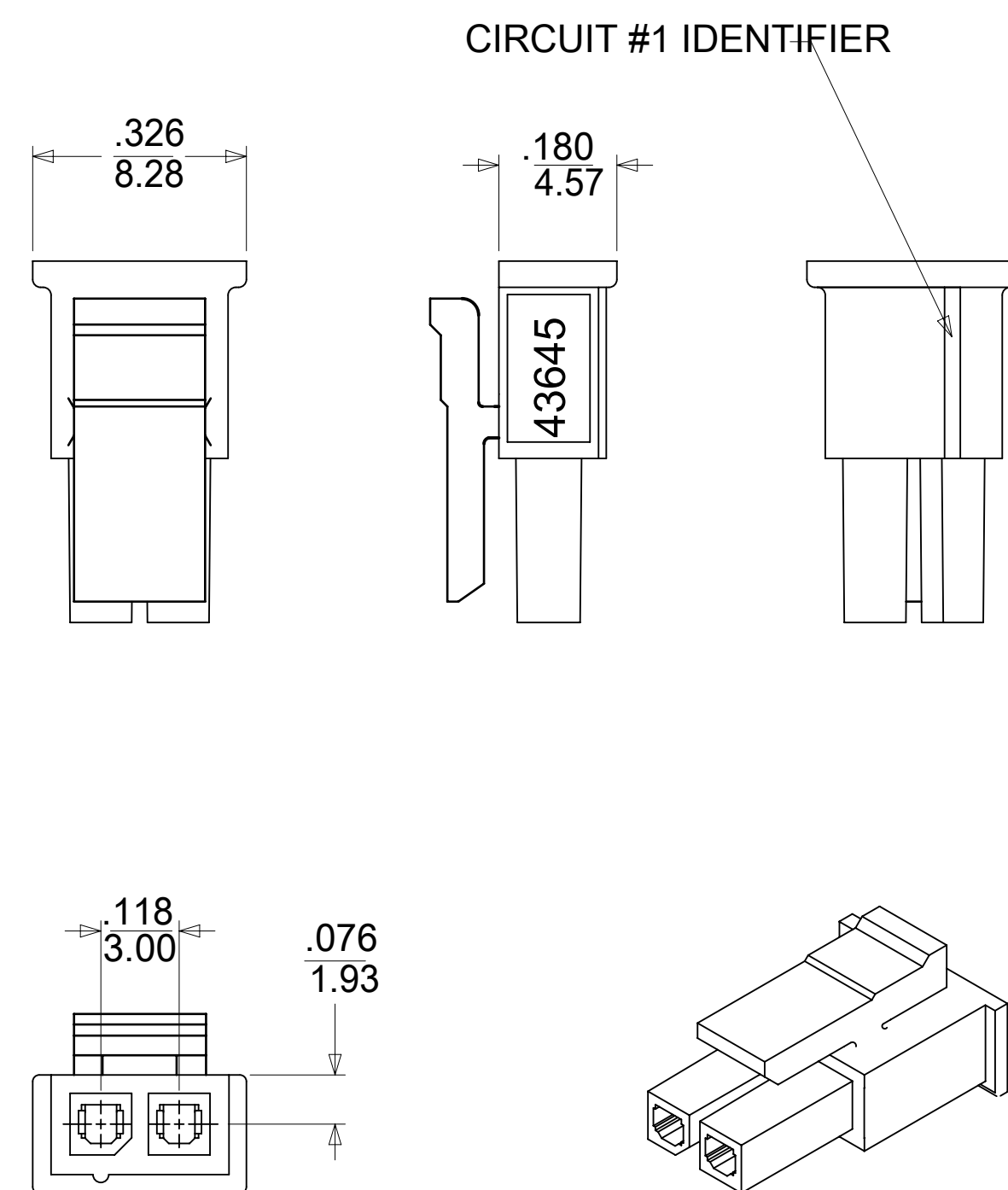
- HOUSING MATERIAL:
 "A" - UNFILLED POLYESTER, RATED U.L. 94V-0, COLOR IS BLACK.
 "B" - UNFILLED NYLON, RATED U.L. 94V-0, HALOGEN-FREE, COLOR IS BLACK.
- FINISH : N/A
- PRODUCT SPECIFICATION : PS-43650
- PACKAGING SPECIFICATION: PK-43645-001
- THIS RECEPTACLE ACCEPTS MOLEX MICRO FIT FEMALE CRIMP TERMINALS SERIES 43030 OR 46235,
- SEE SECTION "A"- "A" FOR TERMINAL ORIENTATION IN HOUSING.
- FOR OVERMOLDING PARAMETERS SEE APPLICATION SPECIFICATION 430250000-AS.
- THIS RECEPTACLE MATES WITH MOLEX PCB HEADER 43650 SERIES AND MOLEX PLUG 43640 SERIES (WIRE TO WIRE APPLICATIONS).
- SOME HOUSINGS MAY HAVE A SMALL GATE BLEMISH NEAR THE GATE LOCATION THAT DOES NOT AFFECT FUNCTIONALITY.
- MOLEX RECOMMENDS THE USE OF MICRO-FIT TEST PLUG, SERIES 44242-**** WHENEVER CONTINUITY TESTING IS PERFORMED. TEST PLUGS MUST NOT BE USED TO MAKE OR BREAK UNDER LOAD. MOLEX DOES NOT RECOMMEND USING STANDARD MATING COMPONENTS FOR HARNESS TESTING PURPOSES.
- THIS RIB IS DISCONTINUOUS ON CIRCUIT SIZES 7 THROUGH 12
- PART CONFORMS TO CLASS 'B' REQUIREMENTS OF COSMETIC SPECIFICATION PS-45499-002.
- TEXT ON PART IS FOR REFERENCE ONLY. TEXT AND TEXT LOCATION MAY VARY DEPENDING ON PART NUMBER AND/OR TOOL.
- PARTS MADE FROM MATERIAL "B" ARE CONSTRUCTED TO MEET THE REQUIREMENT FOR DIRECT SUPPORT OF UNINSULATED LIVE PARTS AS DESCRIBED IN UL61800-5-1.



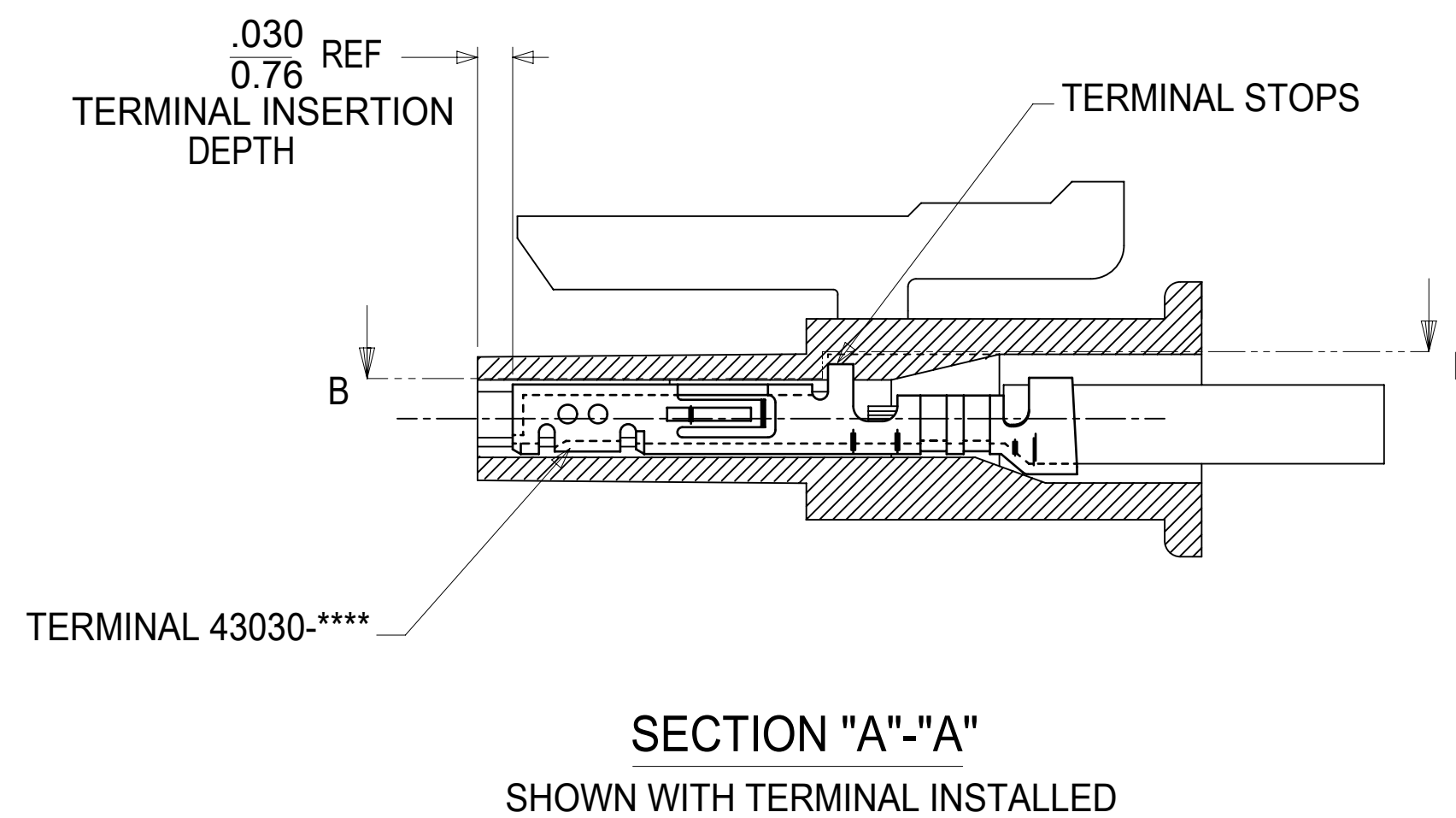
THIS DRAWING REPLACES DRAWING SDA-43645-****.



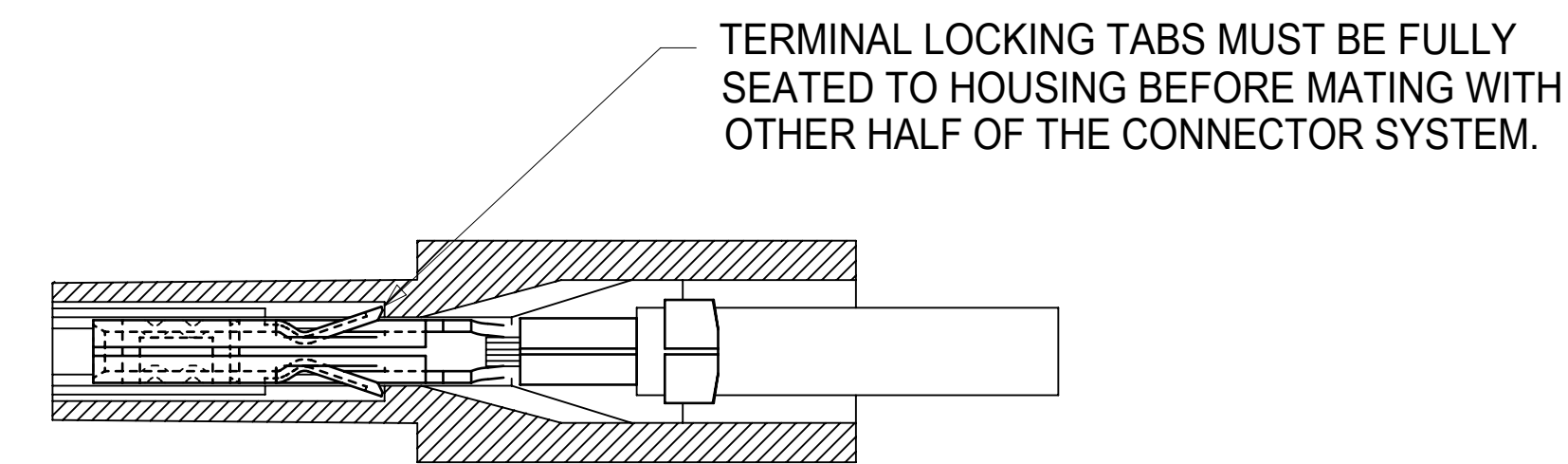
FIRST CIRCUIT IDENTIFIER RIB (ALL CIRCUIT SIZES)



(2 CIRCUIT HOUSING)



SECTION "A"- "A" SHOWN WITH TERMINAL INSTALLED



SECTION "B"- "B"

ITEM NUMBER	NUMBER OF CIRCUIT	DIM. "A"	DIM. "B"	MATERIAL
43645-0200	02	SEE DETAIL	.118/(3.00)	"B"
43645-0300	03	.388/(9.85)	.236/(6.00)	SEE NOTE 14
43645-0400	04	.506/(12.85)	.354/(9.00)	"A"
43645-0500	05	.624/(15.85)	.472/(12.00)	
43645-0600	06	.742/(18.85)	.591/(15.00)	
43645-0700	07	.860/(21.85)	.709/(18.00)	
43645-0800	08	.978/(24.85)	.827/(21.00)	
43645-0900	09	1.096/(27.85)	.945/(24.00)	
43645-1000	10	1.215/(30.85)	1.063/(27.00)	
43645-1100	11	1.333/(33.85)	1.181/(30.00)	
43645-1200	12	1.451/(36.85)	1.299/(33.00)	

FUNCTIONAL SYMBOLS FA = 0 FC = 0 FD = 0	THIS DRAWING CONTAINS INFORMATION THAT IS PROPRIETARY TO MOLEX ELECTRONIC TECHNOLOGIES, LLC AND SHOULD NOT BE USED WITHOUT WRITTEN PERMISSION		CURRENT REV DESC: ADD NOTE 14		
	DIMENSION UNITS INCH/MM	SCALE 4:1			
DIVISIONAL SYMBOLS	GENERAL TOLERANCES (UNLESS SPECIFIED)		EC NO: 724017		MICRO-FIT (3.0) RECEPTACLE, SINGLE ROW 2 THRU 12 CIRCUIT
	4 PLACES ±	±	DRWN: RICARC13 2022/09/14		
	3 PLACES ±	± 0.01	CHK'D: FSMITH 2022/10/17		PRODUCT CUSTOMER DRAWING
	2 PLACES ±	± 0.014	APPR: FSMITH 2022/10/17		
	1 PLACE ±	± 0.35	INITIAL REVISION:		DOCUMENT NUMBER
	0 PLACES ±	±	DRWN: A.F.G 1995/11/15		
	ANGULAR TOL	± 0.5 °	APPR: R.J.F 1995/11/15		436450000-SD
DRAFT WHERE APPLICABLE MUST REMAIN WITHIN DIMENSIONS		THIRD ANGLE PROJECTION	DRAWING	SERIES	
			D-SIZE	43645	DOC PART
			SEE CHART	GENERAL MARKET	REVISION
					PSD 000 A1
					SHEET NUMBER
					1 OF 1