

CIRCUIT SIZE	MATERIAL NUMBER	DIM "A"	DIM "B"
4	44133-0400	$\frac{24.6}{.97}$	$\frac{3.00}{.118}$
6	44133-0600	$\frac{27.7}{1.09}$	$\frac{6.00}{.236}$
8	44133-0800	$\frac{30.7}{1.21}$	$\frac{9.00}{.354}$
10	44133-1000	$\frac{33.8}{1.33}$	$\frac{12.00}{.472}$
12	44133-1200	$\frac{36.8}{1.45}$	$\frac{15.00}{.591}$
14	44133-1400	$\frac{39.8}{1.57}$	$\frac{18.00}{.709}$
16	44133-1600	$\frac{42.8}{1.69}$	$\frac{21.00}{.827}$
18	44133-1800	$\frac{45.8}{1.80}$	$\frac{24.00}{.945}$
20	44133-2000	$\frac{48.8}{1.92}$	$\frac{27.00}{1.063}$
22	44133-2200	$\frac{51.8}{2.04}$	$\frac{30.00}{1.181}$
24	44133-2400	$\frac{54.8}{2.16}$	$\frac{33.00}{1.299}$

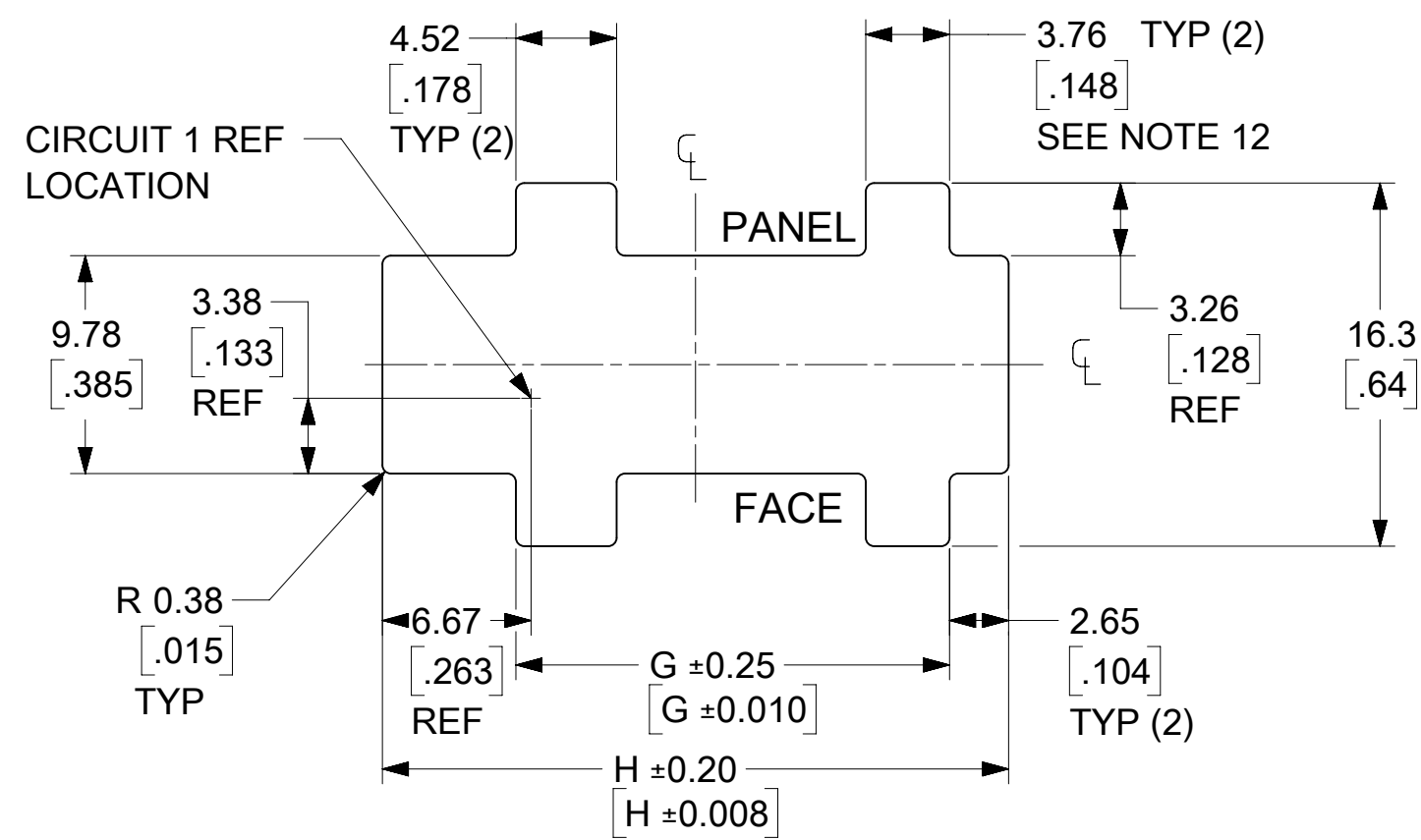
- NOTES:
1. MATERIAL: UNFILLED POLYESTER (PBT), UL94V-0, COLOR: BLACK
  2. FINISH: N/A
  3. PRODUCT SPECIFICATION: PS-44300-001
  4. PACKAGING SPECIFICATION: TRAY PACKED PER PK-44133-002
  5. THIS RECEPTACLE MATES WITH MOLEX BMI PLUG 44300, MOLEX BMI VERTICAL PCB HEADER 44432, MOLEX BMI RIGHT ANGLE PCB HEADER 44428, & MOLEX BMI CPI VERTICAL PCB HEADER 45280. (MOLEX DRAWINGS SD-44300-001, SD-44428-001, SD-44432-001, & SD-45280-001)
  6. THIS RECEPTACLE TO BE USED WITH MOLEX FEMALE CRIMP TERMINALS ONLY (SERIES 43030, 45773, OR 46235). SEE APPLICATION SPECIFICATION AS-44133-001 FOR TERMINAL ORIENTATION IN HOUSING.
  7. THIS RECEPTACLE IS DESIGNED FOR USE WITH 1.57/.062 MAX. TO 1.27/.050 MINIMUM THICK PANELS.
  8. DIMENSIONS GIVEN ACROSS CENTERLINES ARE SYMMETRICAL ABOUT THOSE CENTERLINES WITHIN THE TOTAL TOLERANCE.
  9. WHEN MATING WITH 44300 SERIES, THE PANEL CUT-OUT CENTERLINES OF DIM "H" AND 9.78/.385 MUST ALIGN WITH POINT "M" DEFINED BY MOLEX DRAWING SD-44300-001.
  10. MOLEX RECOMMENDS THE USE OF MICRO-FIT TEST PLUG (SERIES 44242) WHENEVER CONTINUITY TESTING IS PERFORMED. TEST PLUGS MUST NOT BE USED TO MAKE OR BREAK UNDER LOAD. MOLEX DOES NOT RECOMMEND USING STANDARD MATING COMPONENTS (SERIES 44428, 44432, 44300 OR 45280) FOR HARNESS TESTING PURPOSES.
  11. PART CONFORMS TO CLASS 'B' REQUIREMENTS OF COSMETIC SPECIFICATION PS-45499-002. SOME HOUSINGS MAY HAVE A SMALL GATE BLEMISH NEAR THE GATE LOCATION THAT DOES NOT AFFECT FUNCTIONALITY. HOUSINGS MAY EXHIBIT A SURFACE IMPERFECTION KNOW AS "SINK MARKS" UP TO 0.60/.024 MAX. THIS IS A COSMETIC DEFECT AND DOES NOT EFFECT FUNCTION OF THE CONNECTOR.
  12. THE WIDTH OF THE NARROW SLOTS SHOULD BE 2.90-3.28/.114-.129 (MIN-MAX) IF KEYING OF THE CONNECTOR TO THE CUT-OUT IS DESIRED.

FUNCTIONAL SYMBOLS	THIS DRAWING CONTAINS INFORMATION THAT IS PROPRIETARY TO MOLEX ELECTRONIC TECHNOLOGIES, LLC AND SHOULD NOT BE USED WITHOUT WRITTEN PERMISSION			
	DIMENSION UNITS	SCALE		CURRENT REV DESC: ADD KEEPOUT, 6.67 DIM IN PANEL
$\frac{F}{A} = 0$	MM/INCH	NTS		EC NO: 660931 DRWN: MKIPPER 2020/12/03 CHK'D: JEHRISMAN 2021/07/16 APPR: FSMITH 2021/07/19
$\frac{F}{C} = 0$	GENERAL TOLERANCES (UNLESS SPECIFIED)			
$\frac{F}{P} = 0$		MM	INCH	INITIAL REVISION: DRWN: ESOMMER 1998/09/30 APPR: REDGLEY 2000/07/31
DIVISIONAL SYMBOLS		4 PLACES ±	±	
		3 PLACES ±	± 0.01	DOCUMENT NUMBER: SD-44133-001 DOC TYPE: PSD DOC PART: 001 REVISION: L6
		2 PLACES ±	± 0.014	
		1 PLACE ±	± 0.35	MATERIAL NUMBER: GENERAL MARKET CUSTOMER: GENERAL MARKET SHEET NUMBER: 1 OF 2
		0 PLACES ±	±	
		ANGULAR TOL ± 0.5 °		THIRD ANGLE PROJECTION DRAWING: C-SIZE SERIES: 44133
		DRAFT WHERE APPLICABLE MUST REMAIN WITHIN DIMENSIONS		

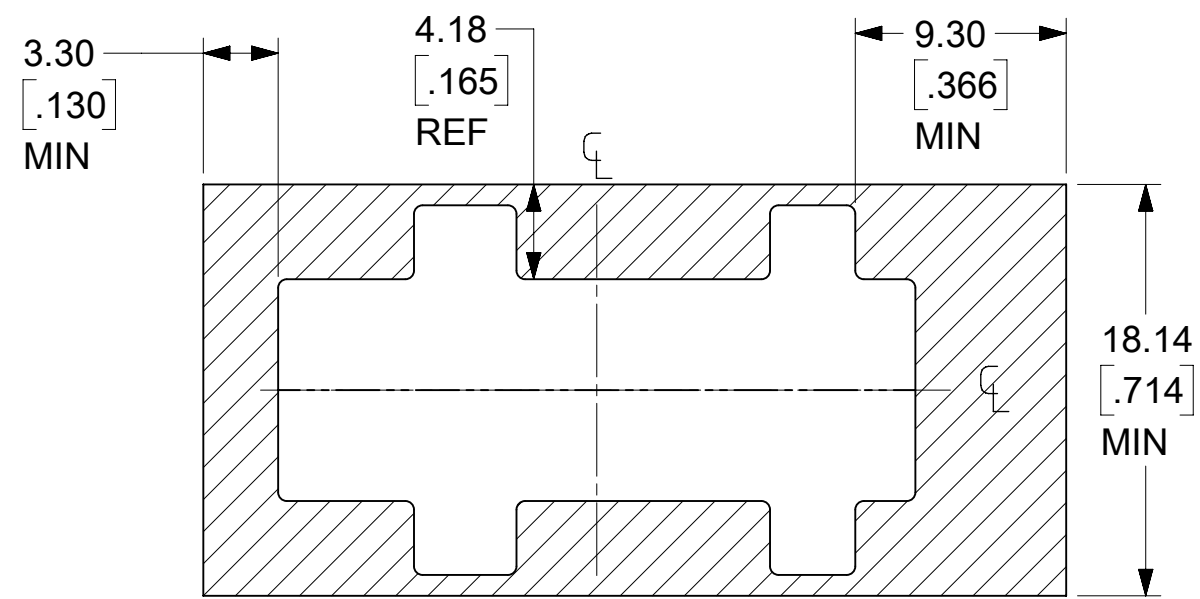
**molex**

MICRO-FIT (3.0)  
BMI FLOATING PANEL RECEPTACLE, 4-24 CIRCUIT

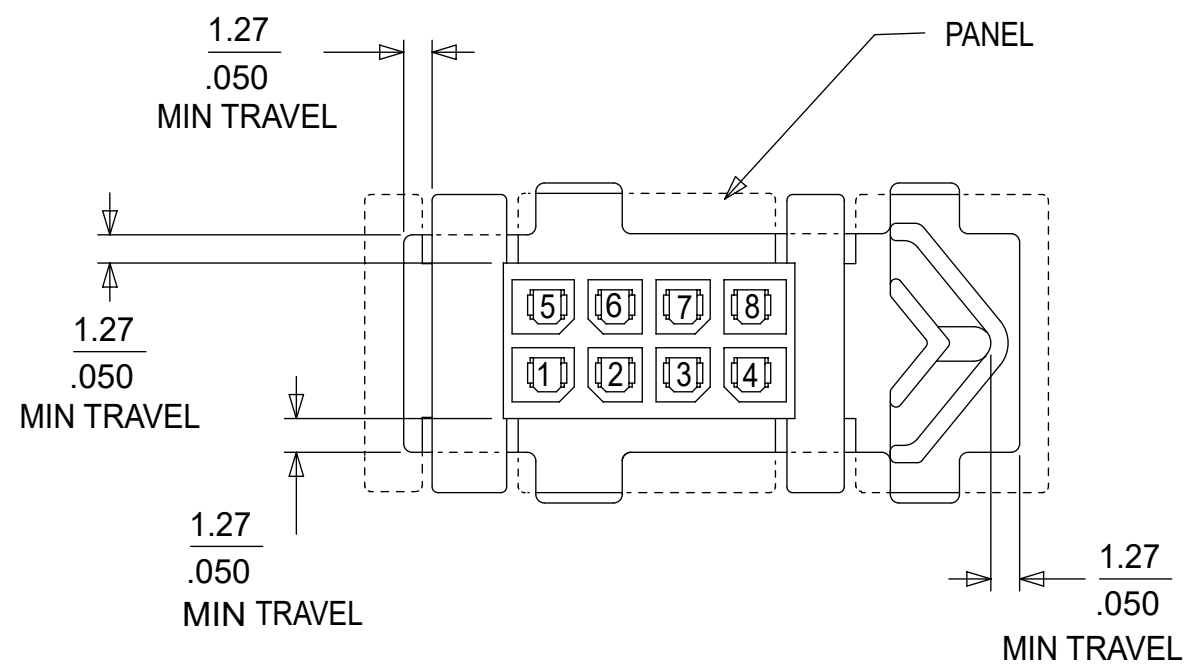
PRODUCT CUSTOMER DRAWING



**RECOMMENDED PANEL CUTOUT**  
(SEE NOTES 7, 9, AND 12)



**KEEPOUT AREA**



**RECEPTACLE SHOWN MOUNTED IN PANEL**

CIRCUIT SIZE	DIM "G"	DIM "H"
4	$\frac{13.46}{.530}$	$\frac{22.10}{.870}$
6	$\frac{16.46}{.648}$	$\frac{25.10}{.988}$
8	$\frac{19.46}{.766}$	$\frac{28.10}{1.106}$
10	$\frac{22.46}{.884}$	$\frac{31.10}{1.224}$
12	$\frac{25.46}{1.002}$	$\frac{34.10}{1.343}$
14	$\frac{28.46}{1.120}$	$\frac{37.10}{1.461}$
16	$\frac{31.46}{1.239}$	$\frac{40.10}{1.579}$
18	$\frac{34.46}{1.357}$	$\frac{43.10}{1.697}$
20	$\frac{37.46}{1.475}$	$\frac{46.10}{1.815}$
22	$\frac{40.46}{1.593}$	$\frac{49.10}{1.933}$
24	$\frac{43.46}{1.711}$	$\frac{52.10}{2.051}$

FUNCTIONAL SYMBOLS	THIS DRAWING CONTAINS INFORMATION THAT IS PROPRIETARY TO MOLEX ELECTRONIC TECHNOLOGIES, LLC AND SHOULD NOT BE USED WITHOUT WRITTEN PERMISSION												
	DIMENSION UNITS	SCALE		CURRENT REV DESC: ADD KEEPOUT, 6.67 DIM IN PANEL									
$\frac{F_A}{A} = 0$	MM/INCH	NTS		EC NO: 660931 DRWN: MKIPPER 2020/12/03 CHK'D: JEHRISMAN 2021/07/16 APPR: FSMITH 2021/07/19								MICRO-FIT (3.0) BMI FLOATING PANEL RECEPTACLE, 4-24 CIRCUIT	
DIVISIONAL SYMBOLS	GENERAL TOLERANCES (UNLESS SPECIFIED)									INITIAL REVISION:			
$\frac{F_C}{C} = 0$	4 PLACES ±			DRWN: ESOMMER 1998/09/30						SD-44133-001	PSD	001	L6
$\frac{F_P}{P} = 0$	3 PLACES ± ± 0.01			APPR: REDGLEY 2000/07/31									
	2 PLACES ± 0.25 ± 0.014			DRAFT WHERE APPLICABLE MUST REMAIN WITHIN DIMENSIONS						MATERIAL NUMBER	CUSTOMER	SHEET NUMBER	
	1 PLACE ± 0.35 ±			THIRD ANGLE PROJECTION						C-SIZE	44133	2 OF 2	
	0 PLACES ± ±			DRAWING SERIES						GENERAL MARKET			

DOCUMENT STATUS	P1	RELEASE DATE	2021/07/19 04:24:13
-----------------	----	--------------	---------------------