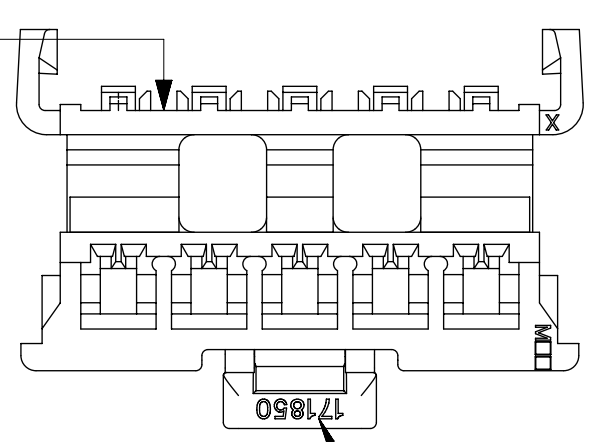
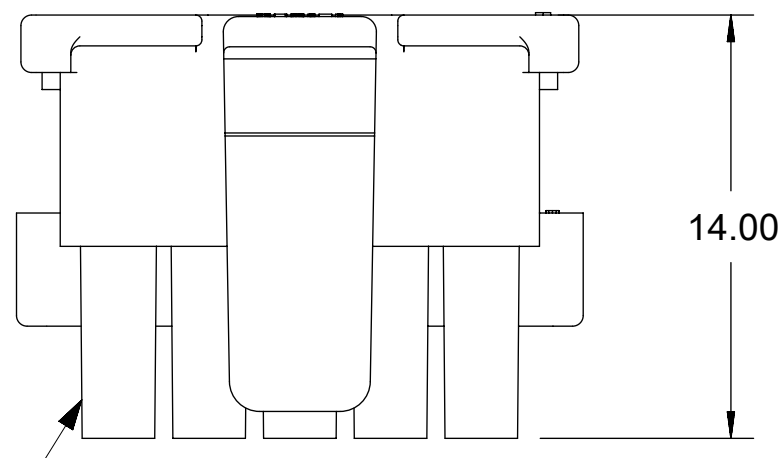


CIRCUIT SIZE	DIM A	DIM C	DIM E
2	3.00	6.85	9.74
3	6.00	9.85	12.74
4	9.00	12.85	15.74
5	12.00	15.85	18.74
6	15.00	18.85	21.74
7	18.00	21.85	24.74
8	21.00	24.85	27.74
9	24.00	27.85	30.74
10	27.00	30.85	33.74
11	30.00	33.85	36.74
12	33.00	36.85	39.74

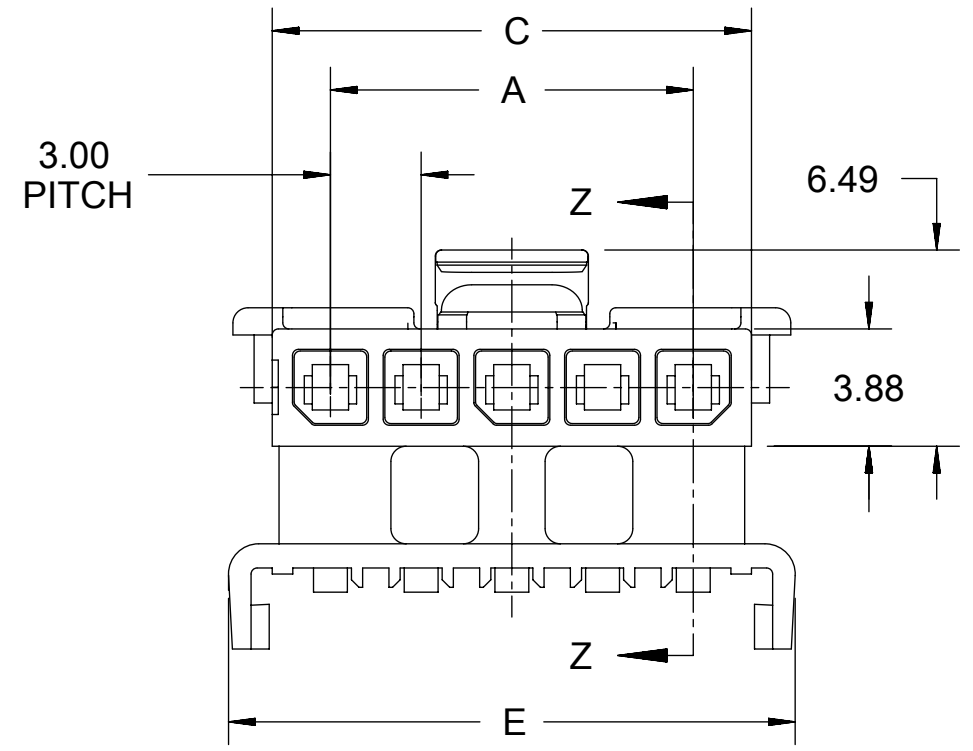
0.2 MAX SINK ALLOWED ON THIS SIDE OF TPA



MOLEX SERIES ID

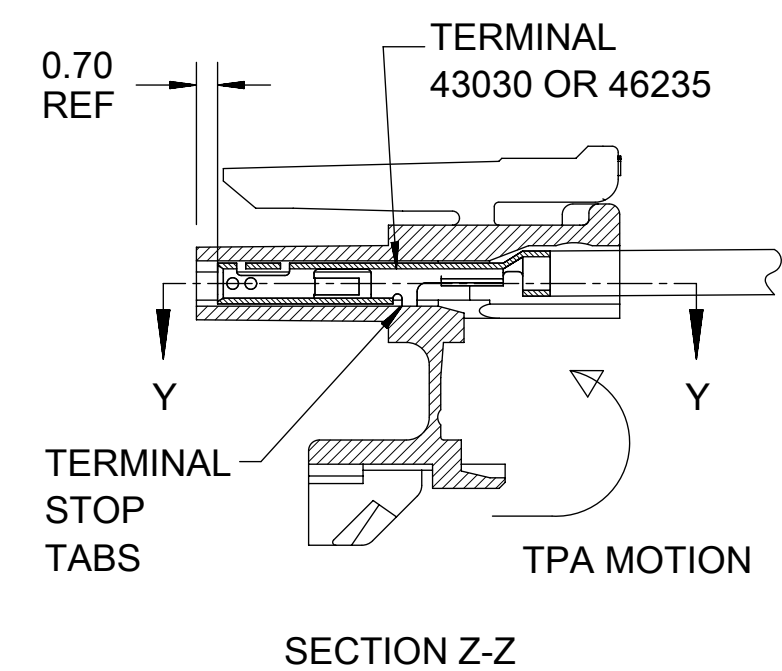
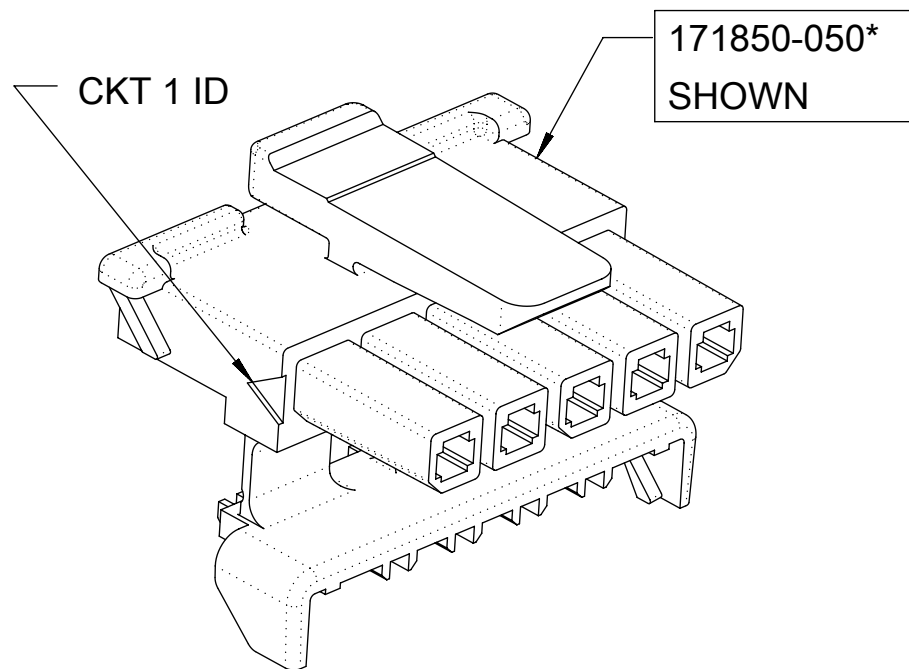
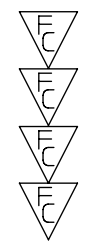


CKT 1

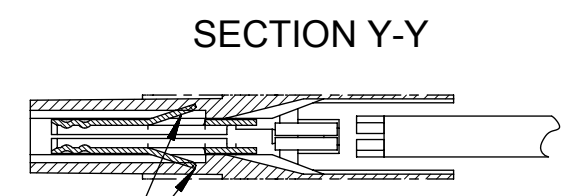


NOTES:

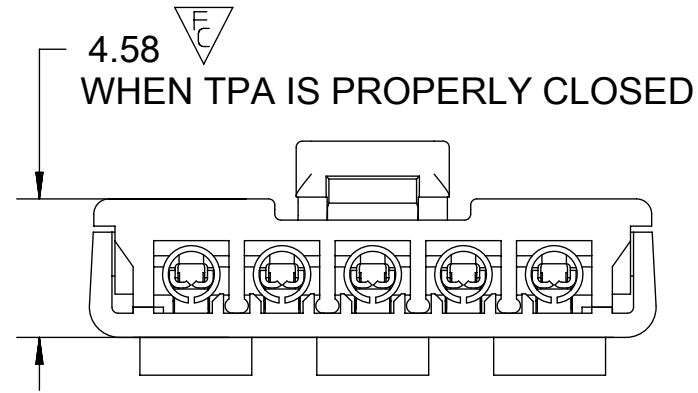
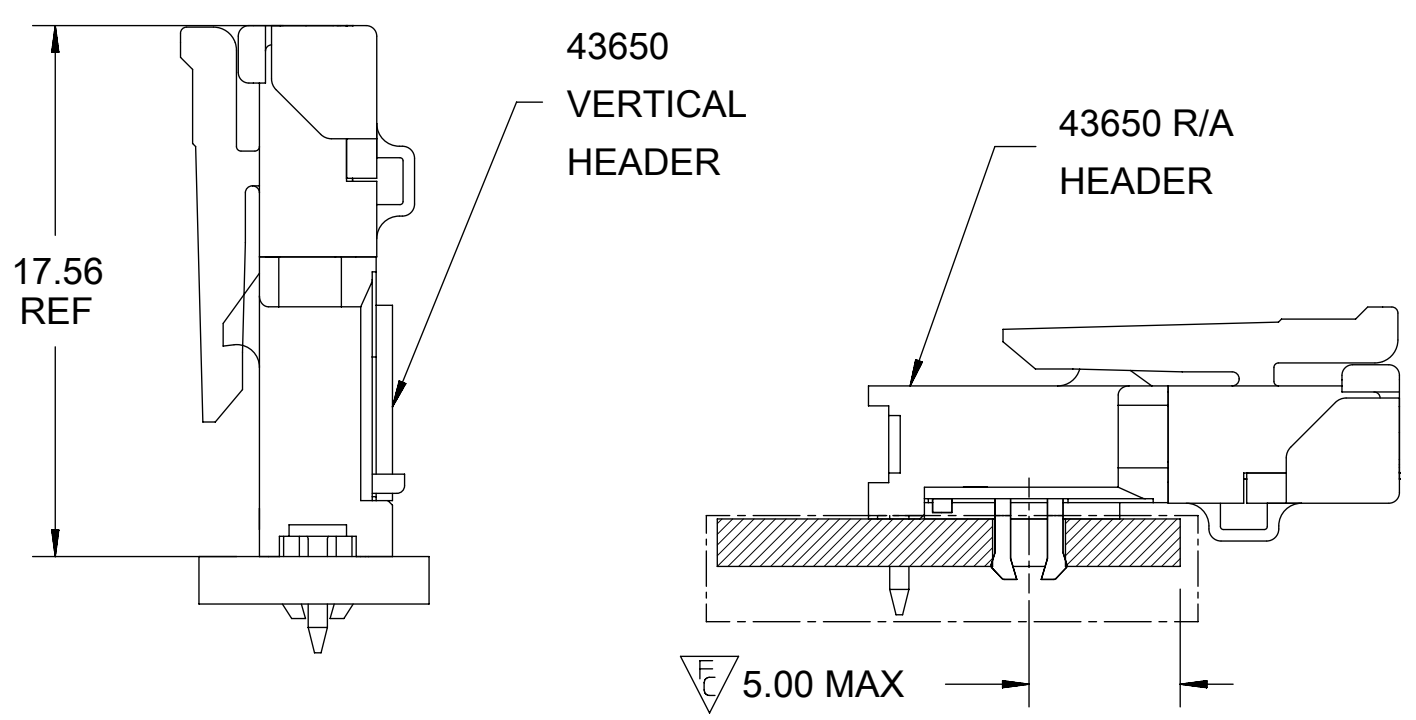
- MATERIAL:
A = NYLON V-0 LOW HALOGEN, COLOR: BLACK
B = NYLON, V-0, GLOW WIRE IEC 60335-1 GLOW WIRE CAPABLE, COLOR: BLACK
- FINISH: NONE
- PRODUCT SPECIFICATION: PS-43650
- PACKAGING SPECIFICATION: PK-171850-0000
- THIS HOUSING TO BE USED WITH MOLEX FEMALE TERMINAL 43030 OR 46235 SERIES.
- THIS PART MATES WITH 43640 AND 43650.
- THIS PART CONFORMS TO CLASS 'B' REQUIREMENTS OF COSMETIC SPECIFICATION PS-45499-002.
- REFER TO AS-45499-001 FOR MOISTURIZING NYLON CONNECTOR PARTS.
- PRODUCT MUST BE USED WITH TPA INSTALLED.
- TPA IS INTENDED FOR ONE TIME USE.
- INTENDED FOR USE WITH 20-30 AWG WIRES ONLY.
- SOME HOUSINGS MAY HAVE A SMALL GATE BLEMISH NEAR THE GATE THAT DOES NOT AFFECT FUNCTIONALITY.
- MOLEX RECOMMENDS THE USE OF MICRO-FIT TEST PLUG, SERIES NO. 44242-**** WHENEVER TESTING IS PERFORMED. TEST PLUGS MUST NOT BE USED FOR MAKE OR BREAK UNDER LOAD. MOLEX DOES NOT RECOMMEND USING STANDARD MATING COMPONENTS FOR HARNESS TESTING PURPOSES.
- TEXT ON PART IS FOR REFERENCE ONLY. TEXT AND TEXT LOCATION MAY VARY DEPENDING ON PART NUMBER AND/OR TOOL.



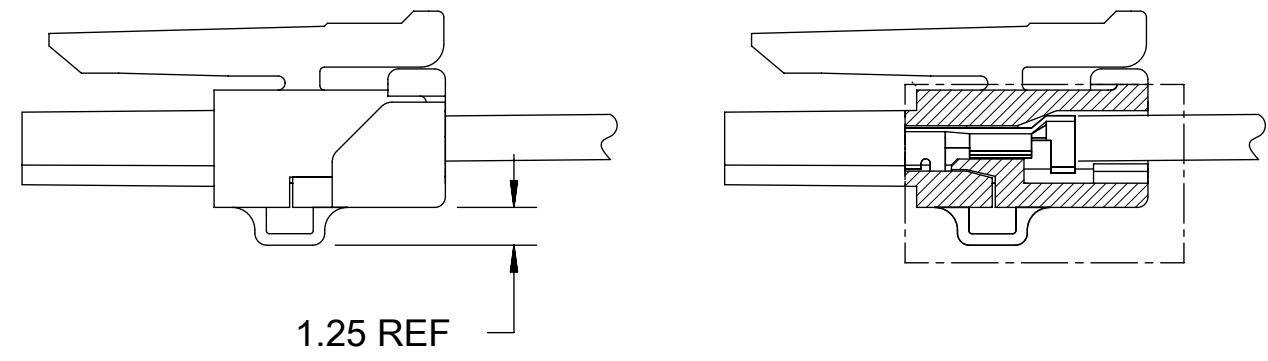
TPA OPEN



TERMINAL LOCKING TANGS SHOULD BE FULLY SEATED IN HOUSING BEFORE ACTIVATING THE HINGED TPA



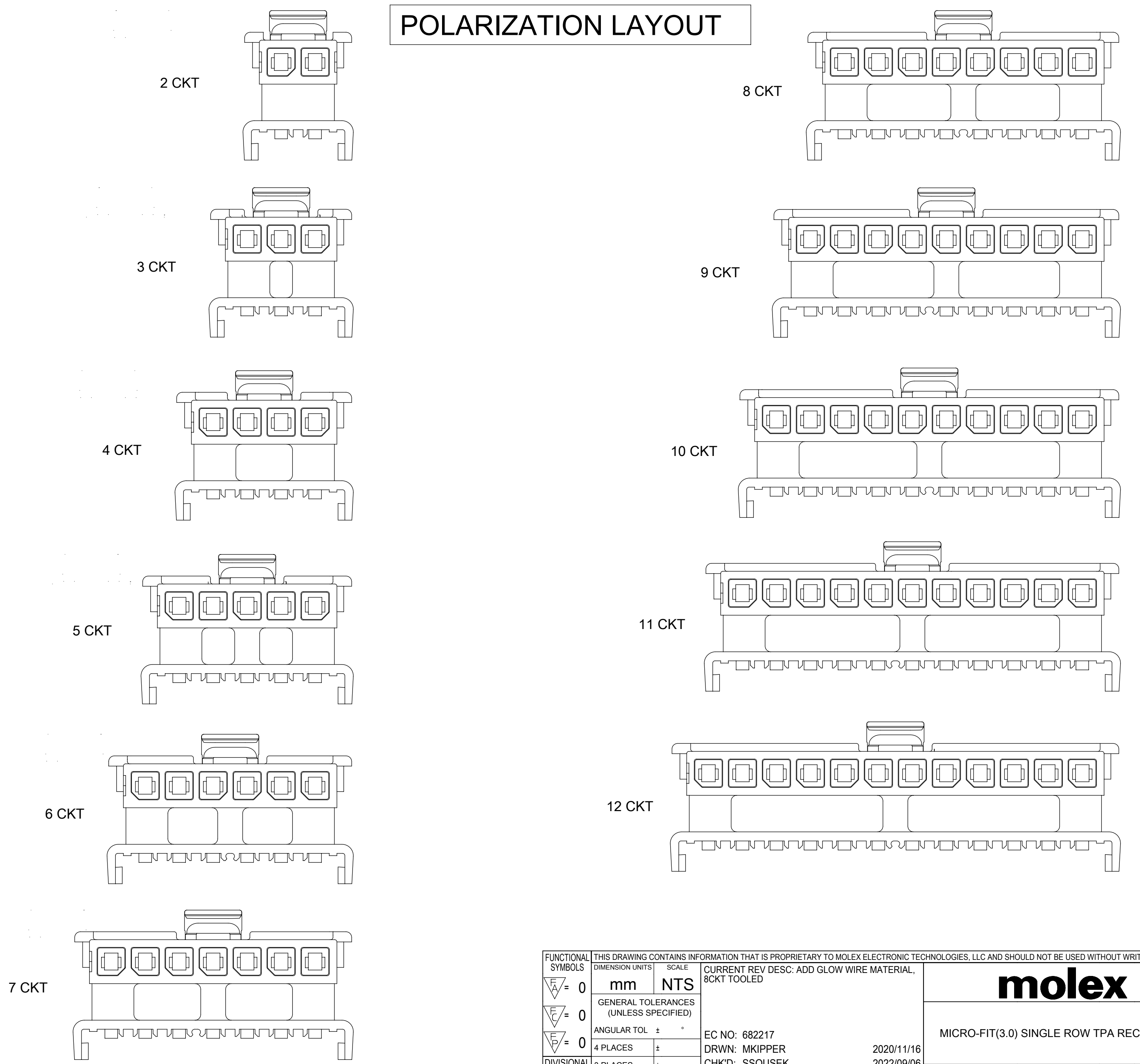
TPA CLOSED



FUNCTIONAL SYMBOLS \sqrt{A} = 0 \sqrt{C} = 6 \sqrt{P} = 0 DIVISIONAL SYMBOLS	THIS DRAWING CONTAINS INFORMATION THAT IS PROPRIETARY TO MOLEX ELECTRONIC TECHNOLOGIES, LLC AND SHOULD NOT BE USED WITHOUT WRITTEN PERMISSION	SCALE mm NTS	CURRENT REV DESC: ADD GLOW WIRE MATERIAL, 8CKT TOOLED				
	GENERAL TOLERANCES (UNLESS SPECIFIED)	EC NO: 682217	2020/11/16				MICRO-FIT(3.0) SINGLE ROW TPA RECEPTACLE
	ANGULAR TOL ± °	4 PLACES ±	DRWN: MKIPPER	2022/09/06	PRODUCT CUSTOMER DRAWING		
	3 PLACES ±	2 PLACES ± 0.25	CHK'D: SSOUSEK	2022/09/07	DOCUMENT NUMBER		
1 PLACE ±	0 PLACES ±	APPR: FSMITH	2022/09/07	DOC TYPE			
DRAFT WHERE APPLICABLE MUST REMAIN WITHIN DIMENSIONS	THIRD ANGLE PROJECTION	INITIAL REVISION:	2014/04/07	DOC PART			
		DRWN: CD	2014/04/29	REVISION			
		APPR: JCOMERCI	2014/04/29	SD-171850-0000			
				MATERIAL NUMBER	CUSTOMER	SHEET NUMBER	
				SEE CHART	GENERAL MARKET	1 OF 2	

CIRCUIT SIZE	PART NUMBER	STATUS	MATERIAL
2	171850-0200	TOOLED	"A" V-0 LOW HALOGEN
3	171850-0300		
4	171850-0400		
5	171850-0500		
6	171850-0600		
7	171850-0700		
8	171850-0800		
9	171850-0900		
10	171850-1000	NOT TOOLED	
11	171850-1100		
12	171850-1200		
2	171850-0201	TOOLED	"B" V-0 GLOW WIRE
3	171850-0301		
4	171850-0401		
5	171850-0501		
6	171850-0601		
7	171850-0701		
8	171850-0801		
9	171850-0901		
10	171850-1001	NOT TOOLED	
11	171850-1101		
12	171850-1201		

POLARIZATION LAYOUT



FUNCTIONAL SYMBOLS $\nabla_A = 0$ $\nabla_E = 0$ $\nabla_P = 0$	THIS DRAWING CONTAINS INFORMATION THAT IS PROPRIETARY TO MOLEX ELECTRONIC TECHNOLOGIES, LLC AND SHOULD NOT BE USED WITHOUT WRITTEN PERMISSION		SCALE mm NTS		CURRENT REV DESC: ADD GLOW WIRE MATERIAL, 8CKT TOOLED						
	GENERAL TOLERANCES (UNLESS SPECIFIED) ANGULAR TOL \pm °										
	DIVISIONAL SYMBOLS 4 PLACES \pm 3 PLACES \pm 2 PLACES \pm 0.25 1 PLACE \pm 0 PLACES \pm		EC NO: 682217 DRWN: MKIPPER 2020/11/16 CHK'D: SSOUSEK 2022/09/06 APPR: FSMITH 2022/09/07		MICRO-FIT(3.0) SINGLE ROW TPA RECEPTACLE		PRODUCT CUSTOMER DRAWING				
	DRAFT WHERE APPLICABLE MUST REMAIN WITHIN DIMENSIONS		THIRD ANGLE PROJECTION		DRAWING SERIES C-SIZE 171850		DOCUMENT NUMBER SD-171850-0000		DOC TYPE DOC PART REVISION PSD 000 B7		MATERIAL NUMBER CUSTOMER SHEET NUMBER SEE CHART GENERAL MARKET 2 OF 2