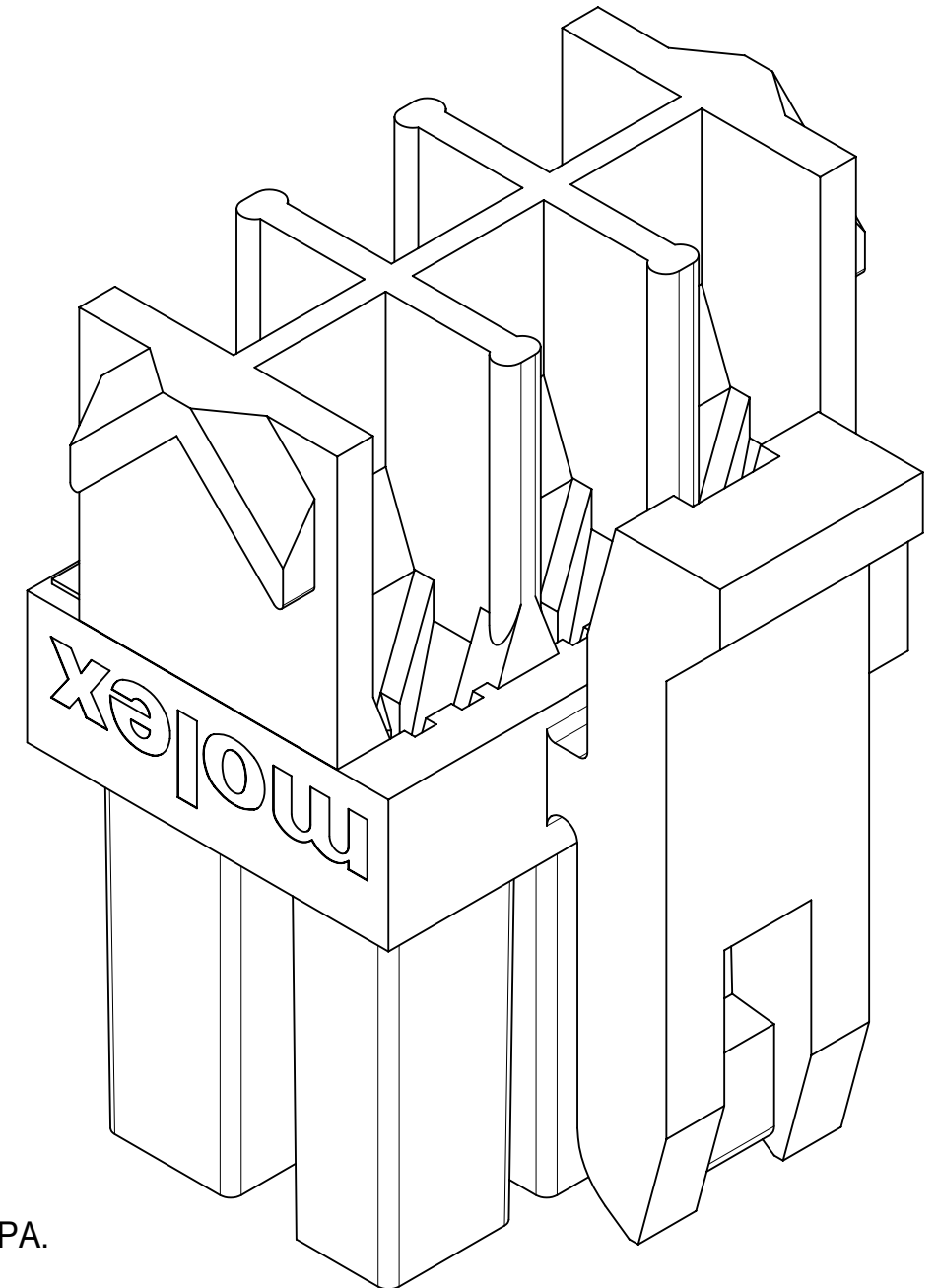
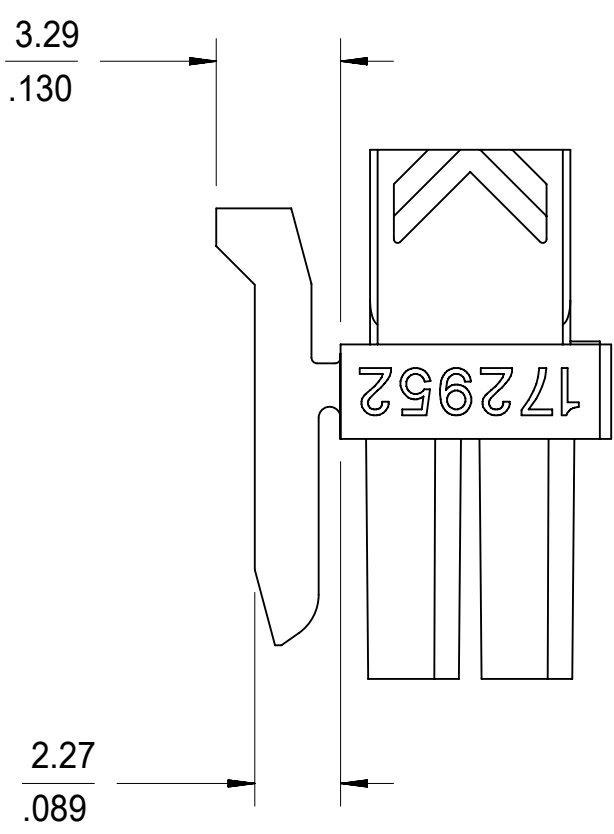
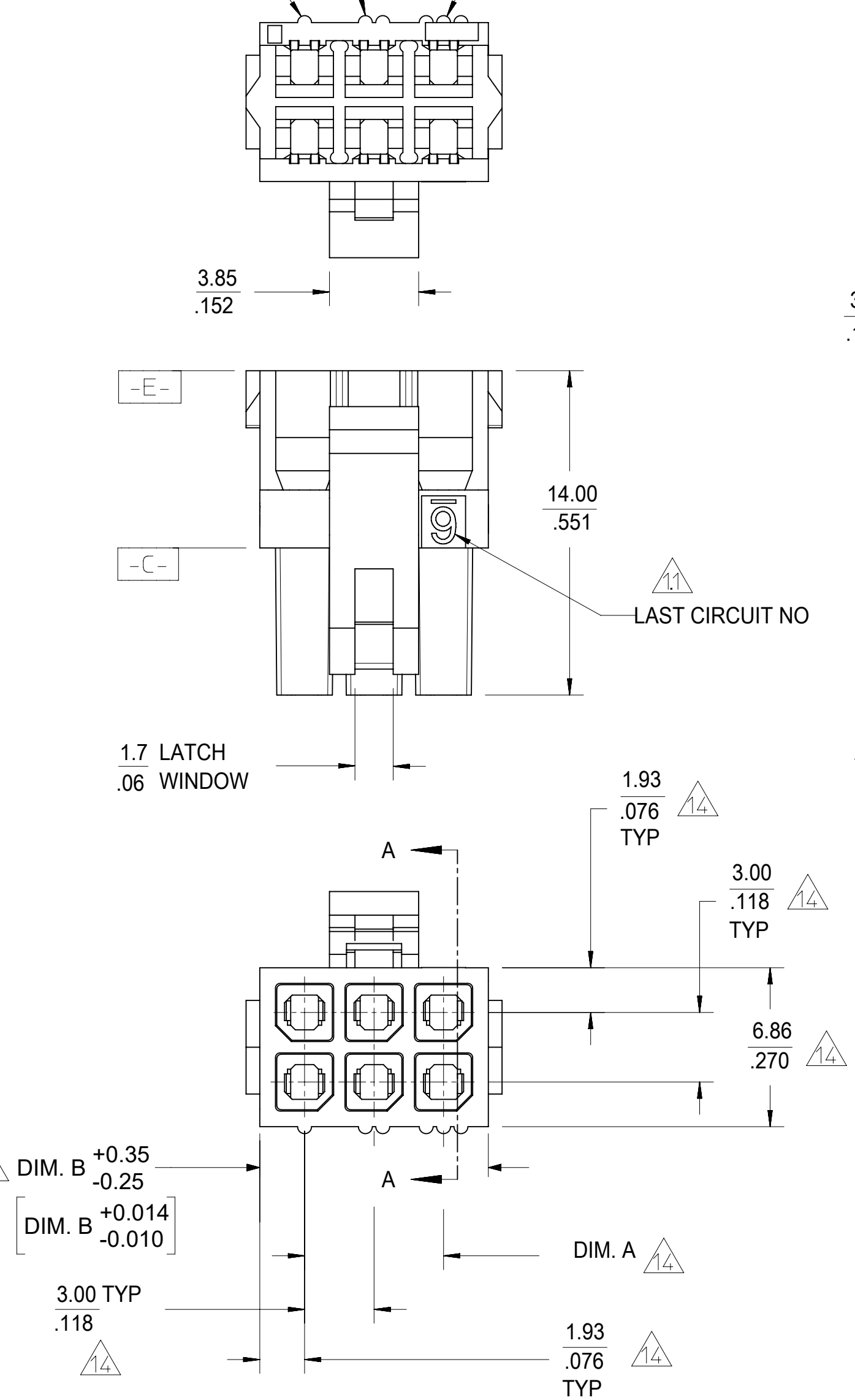


NOTES:

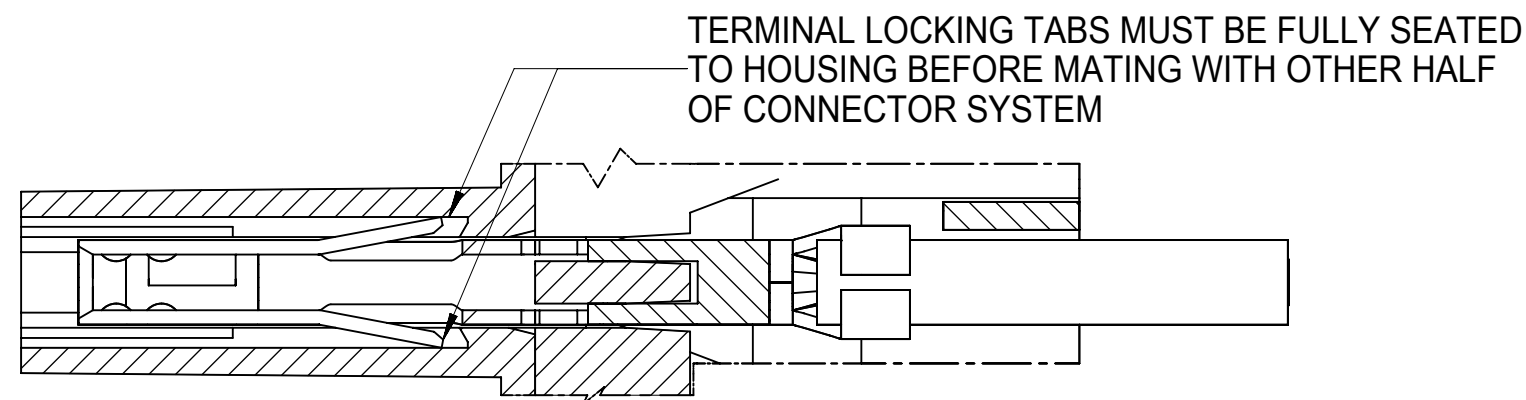
- 1) MATERIAL:
UNFILLED NYLON, RATED UL94V-0, LOW-HALOGEN, COLOR: BLACK
- 2) FINISH: NONE
- 3) PRODUCT SPECIFICATION: PS-43045
- 4) PACKAGING SPECIFICATION: BULK PER 1729520001-PK
- 5) MATES WITH: MOLEX 43020 PLUGS, 203632 TPA PLUGS AND 43045 HEADERS
- 6) FOR USE WITH: 43030 AND 46235 (LOW FORCE) MOLEX FEMALE TERMINALS
- 7) HOUSING IS DESIGNED FOR USE WITH 172953-XX01 TPA. NEVER USE WITHOUT TPA.
- 8) THIS PART CONFORMS TO CLASS B REQUIREMENTS OF COSMETIC SPEC PS-45499-002
- 9) PARTS MAY HAVE A BLEMISH NEAR THE GATE THAT DOES NOT AFFECT FUNCTIONALITY
- 10) TERMINALS IN THE LOWER ROW ARE INSERTED 180° FROM THE UPPER ROW
SEE SECTION A-A FOR PROPER ORIENTATION
- 11 LAST CIRCUIT NUMBER OF THE CONNECTOR. NOT APPLICABLE TO 4 CIRCUIT.
- 12) REF 430250000-AS FOR OVERMOLDING PARAMETERS
- 13 TO BE MEASURED APPROXIMATELY 1.52/.060 FROM [-E-] SURFACE
- 14 TO BE MEASURED ON [-C-] SURFACE
- 15) MOLEX RECOMMENDS THE USE OF MICRO-FIT TEST PLUG SERIES 44242 FOR ALL TESTING. TEST PLUGS MUST NOT BE MATED OR UNMATED UNDER LOAD. DO NOT USE STANDARD MATING COMPONENTS FOR TEST PURPOSES.
- 16) TEXT ON PART IS FOR REFERENCE ONLY. TEXT AND TEXT LOCATION MAY VARY DEPENDING ON PART NUMBER AND/OR TOOL.
- 17) INTENDED FOR USE WITH 20-30 AWG WIRES ONLY

FIRST CIRCUIT INDICATOR RIB (1)
CIRCUIT 2 INDICATOR RIBS (2)
CIRCUIT 3 INDICATOR RIBS (3)

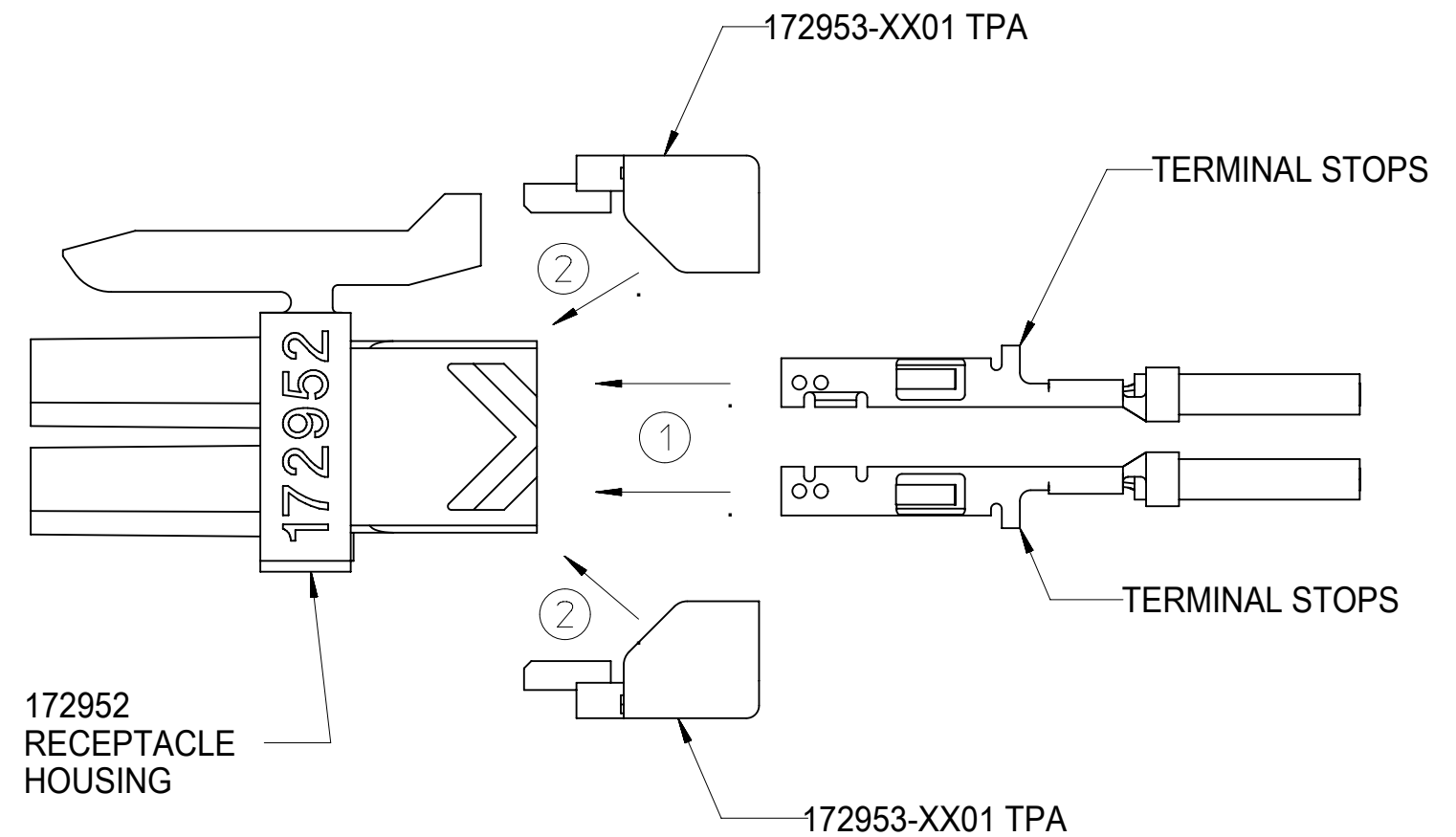
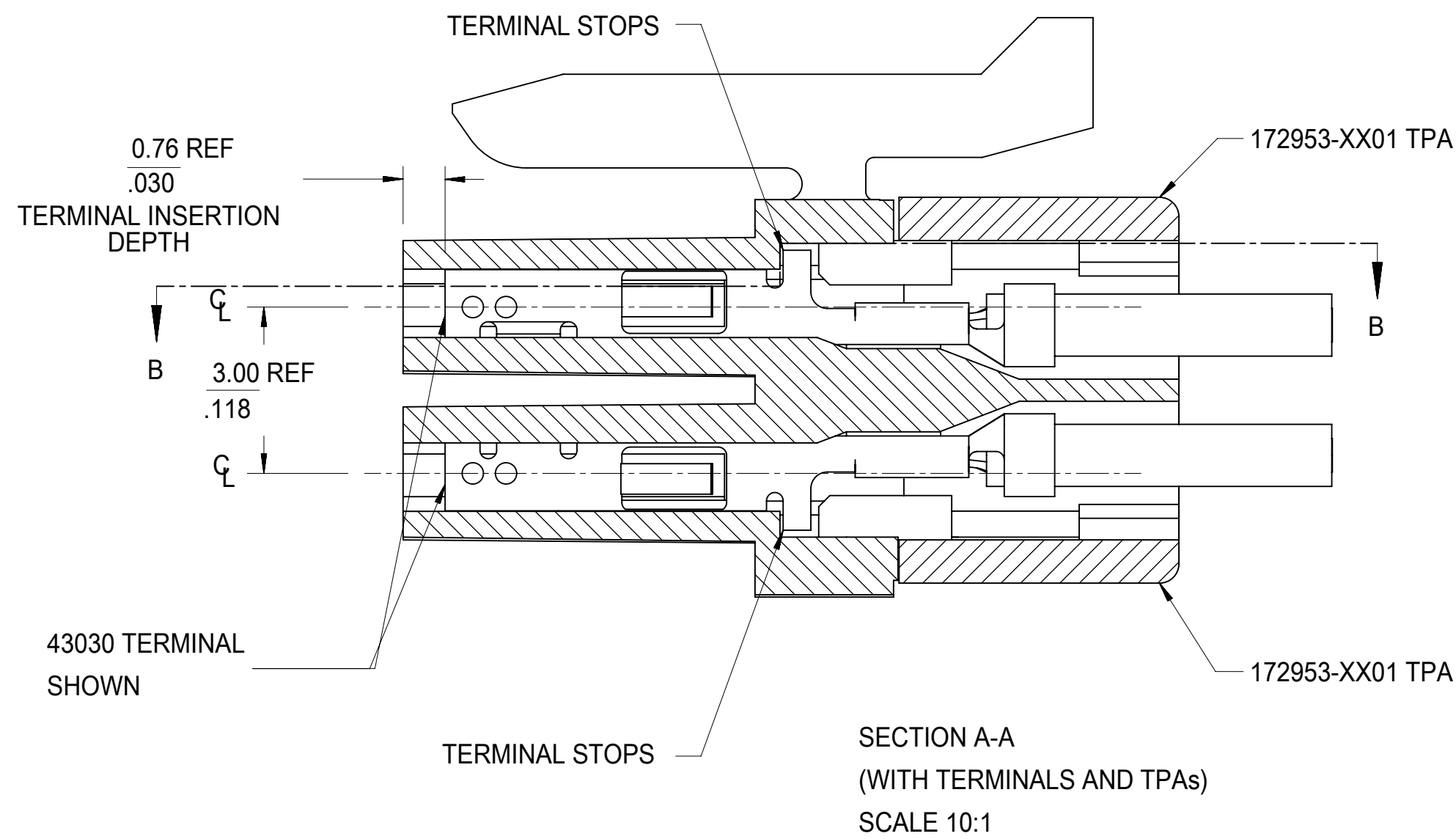


172952-0601 SHOWN
NEVER USE WITHOUT TPA.

FUNCTIONAL SYMBOLS	THIS DRAWING CONTAINS INFORMATION THAT IS PROPRIETARY TO MOLEX ELECTRONIC TECHNOLOGIES, LLC AND SHOULD NOT BE USED WITHOUT WRITTEN PERMISSION				CURRENT REV DESC: ADD NOTE 17					
	DIMENSION UNITS	SCALE								
$\frac{E}{A} = 0$	MM/INCH	5:1								
$\frac{E}{C} = 0$	GENERAL TOLERANCES (UNLESS SPECIFIED)									
$\frac{E}{P} = 0$		MM	INCH							
DIVISIONAL SYMBOLS	4 PLACES	±	±	EC NO: 723726						
	3 PLACES	±	± 0.01	DRWN: MKIPPER 2022/02/25						
	2 PLACES	± 0.25	± 0.015	CHK'D: MKIPPER 2022/10/12						
	1 PLACE	± 0.38	±	APPR: FSMITH 2022/10/13						
	0 PLACES	±	±	INITIAL REVISION:						
	ANGULAR TOL	± 0.5°		DRWN: BANDERSON 2014/12/30		2016/03/24		SD-172952-001		
DRAFT WHERE APPLICABLE MUST REMAIN WITHIN DIMENSIONS		THIRD ANGLE PROJECTION		DRAWING	SERIES	MATERIAL NUMBER	CUSTOMER	DOC TYPE	DOC PART	REVISION
				C-SIZE	172952	SEE CHART	GENERAL MARKET	PSD	001	A6
										SHEET NUMBER
										1 OF 3



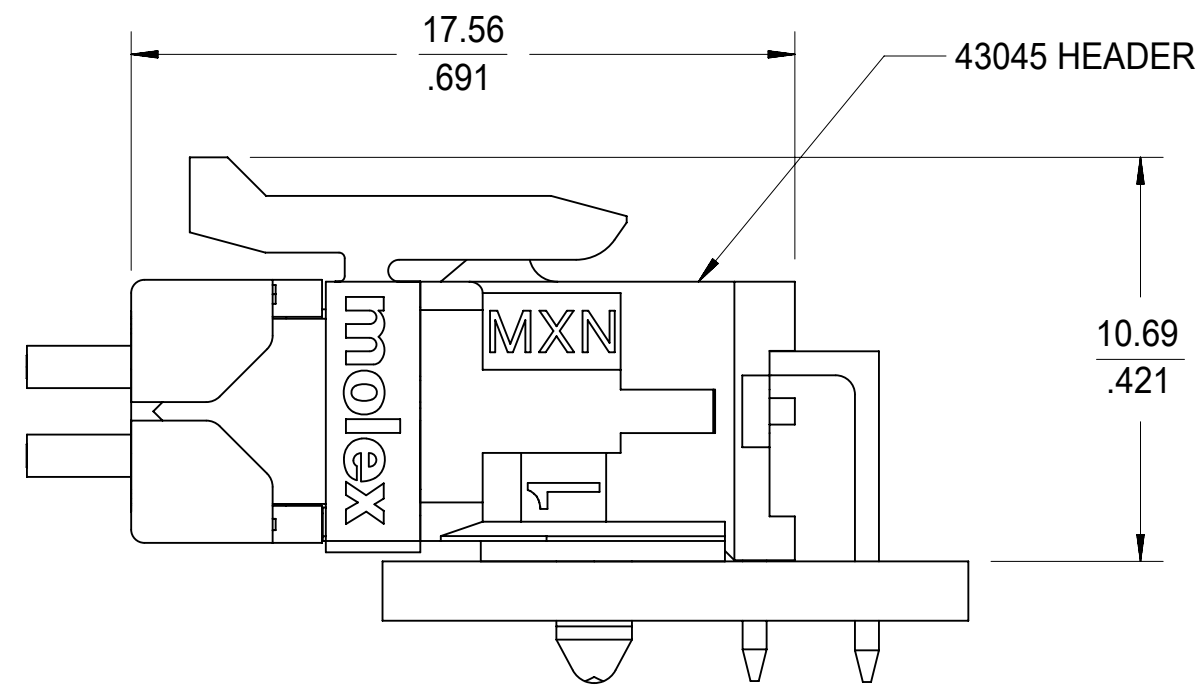
Partial B-B
SCALE 10:1



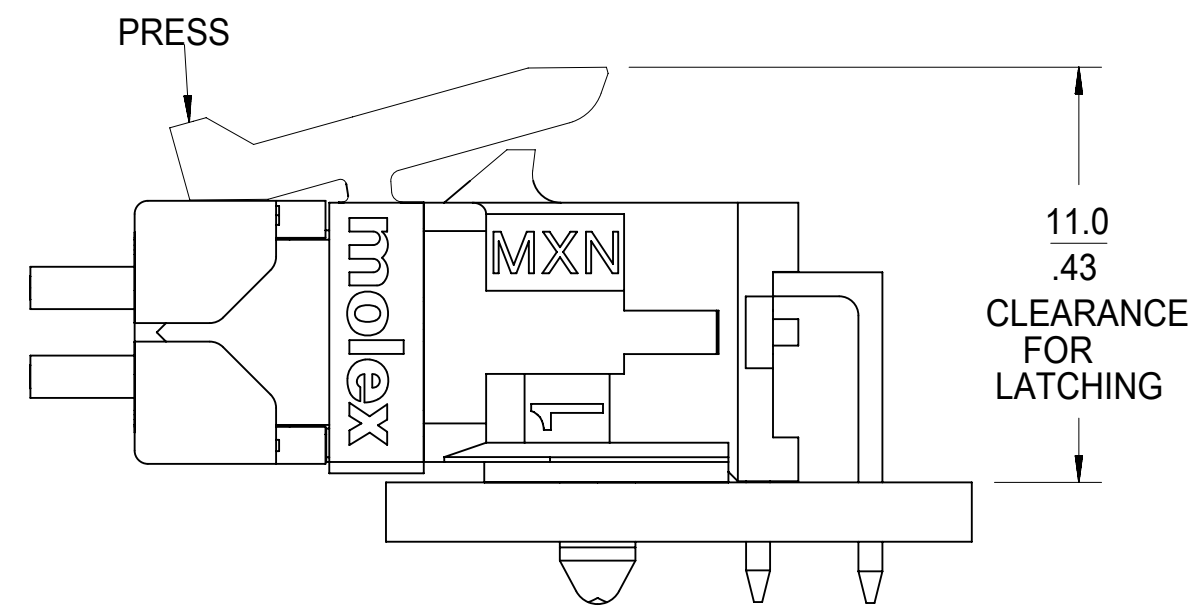
TERMINAL AND TPA
ORIENTATION
AND ASSEMBLY
NEVER USE WITHOUT TPA.

24	172952-2401	33.00 / 1.299	36.85 / 1.451
22	172952-2201	30.00 / 1.181	33.85 / 1.333
20	172952-2001	27.00 / 1.063	30.85 / 1.215
18	172952-1801	24.00 / .945	27.85 / 1.096
16	172952-1601	21.00 / .827	24.85 / .978
14	172952-1401	18.00 / .709	21.85 / .860
12	172952-1201	15.00 / .591	18.85 / .742
10	172952-1001	12.00 / .472	15.85 / .624
8	172952-0801	9.00 / .354	12.85 / .506
6	172952-0601	6.00 / .236	9.85 / .388
4	172952-0401	3.00 / .118	6.85 / .270
CKT SZ.	PART NUMBER	DIM A	DIM B

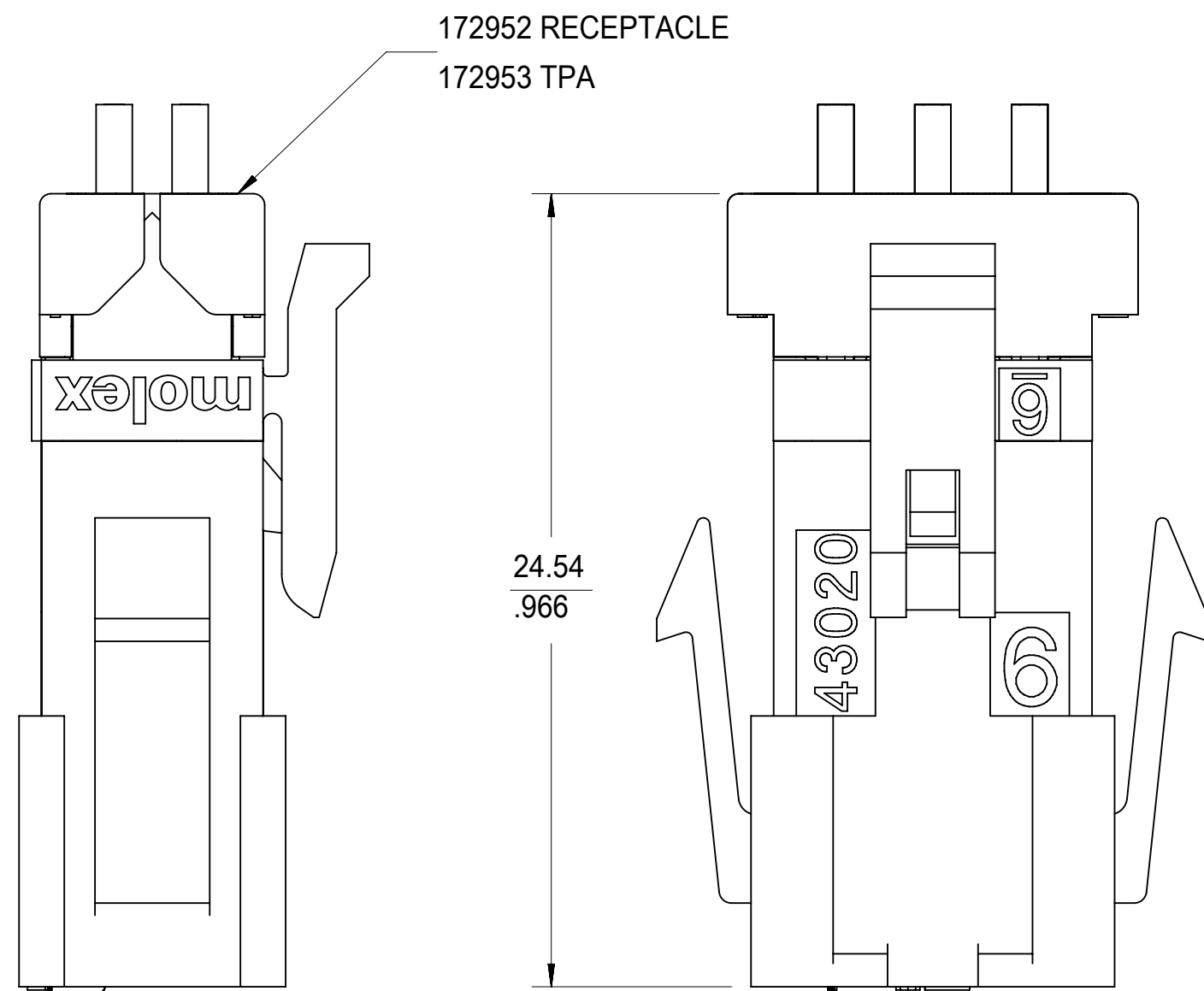
FUNCTIONAL SYMBOLS FA = 0 FC = 0 FP = 0 DIVISIONAL SYMBOLS	THIS DRAWING CONTAINS INFORMATION THAT IS PROPRIETARY TO MOLEX ELECTRONIC TECHNOLOGIES, LLC AND SHOULD NOT BE USED WITHOUT WRITTEN PERMISSION				CURRENT REV DESC: ADD NOTE 17				molex					
	DIMENSION UNITS MM/INCH		SCALE 5:1		GENERAL TOLERANCES (UNLESS SPECIFIED)								MICRO-FIT TPA RECEPTACLE HOUSING DUAL-ROW	
	4 PLACES ±		MM		INCH		EC NO: 723726		2022/02/25		DOCUMENT NUMBER		DOC TYPE DOC PART REVISION	
	3 PLACES ±		± 0.01		± 0.015		DRWN: MKIPPER		2022/10/12		SD-172952-001		PSD 001 A6	
2 PLACES ±		± 0.25		± 0.015		APPR: FSMITH		2022/10/13		PRODUCT CUSTOMER DRAWING				
1 PLACE ±		± 0.38		±		INITIAL REVISION:				MATERIAL NUMBER		CUSTOMER		
0 PLACES ±		±		±		DRWN: BANDERSON		2014/12/30		SEE CHART		GENERAL MARKET		
ANGULAR TOL ± 0.5 °		THIRD ANGLE PROJECTION		DRAWING		SERIES		172952		SHEET NUMBER		2 OF 3		
DRAFT WHERE APPLICABLE MUST REMAIN WITHIN DIMENSIONS				C-SIZE										



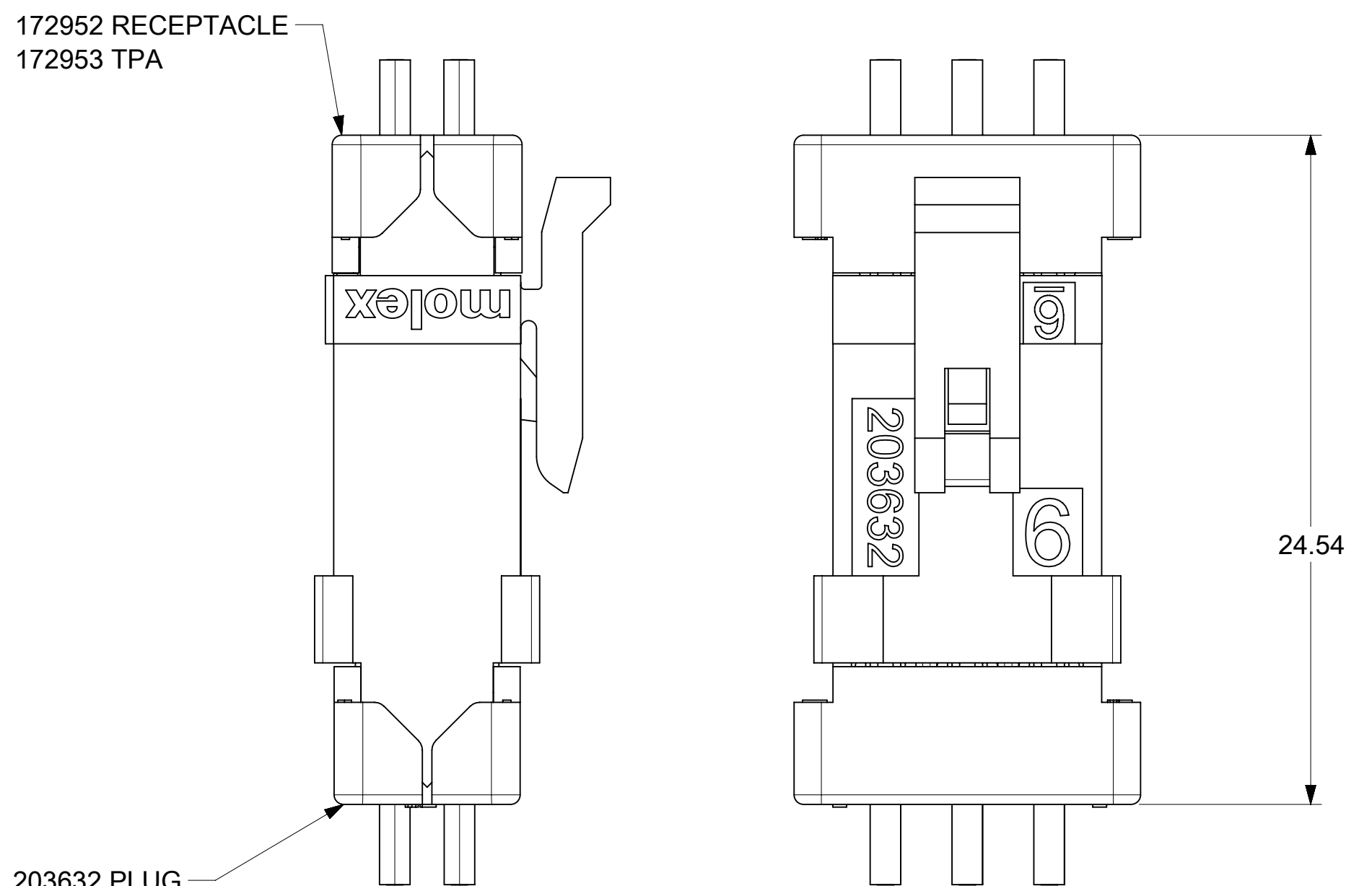
MATED MICRO-FIT CONNECTOR (WITH TPA INSTALLED)



MATED MICRO-FIT CONNECTOR (WITH TPA INSTALLED)



MATED MICRO-FIT CONNECTOR (WITH TPA INSTALLED)



MATED MICRO-FIT CONNECTOR (WITH TPA INSTALLED)

43020 PLUG HOUSING

203632 PLUG
172953 TPA

FUNCTIONAL SYMBOLS	THIS DRAWING CONTAINS INFORMATION THAT IS PROPRIETARY TO MOLEX ELECTRONIC TECHNOLOGIES, LLC AND SHOULD NOT BE USED WITHOUT WRITTEN PERMISSION									
	DIMENSION UNITS		SCALE		CURRENT REV DESC: ADD NOTE 17					
$\frac{F}{A} = 0$	MM/INCH		5:1		<p>EC NO: 723726 DRWN: MKIPPER 2022/02/25 CHK'D: MKIPPER 2022/10/12 APPR: FSMITH 2022/10/13</p> <p>INITIAL REVISION: DRWN: BANDERSON 2014/12/30 APPR: BPISZCZOR 2016/03/24</p>					
$\frac{F}{C} = 0$	GENERAL TOLERANCES (UNLESS SPECIFIED)									
$\frac{F}{P} = 0$			MM	INCH						
DIVISIONAL SYMBOLS	4 PLACES	±	±							
	3 PLACES	±	±	0.01						
	2 PLACES	±	0.25	± 0.015						
	1 PLACE	±	0.38	±						
	0 PLACES	±	±							
	ANGULAR TOL		± 0.5 °		<p>THIRD ANGLE PROJECTION</p>					
	DRAFT WHERE APPLICABLE MUST REMAIN WITHIN DIMENSIONS									
DRAWING		SERIES		MATERIAL NUMBER		CUSTOMER		SHEET NUMBER		
C-SIZE		172952		SEE CHART		GENERAL MARKET		3 OF 3		

molex

MICRO-FIT TPA RECEPTACLE HOUSING DUAL-ROW

PRODUCT CUSTOMER DRAWING

DOCUMENT NUMBER: SD-172952-001 | DOC TYPE: PSD | DOC PART: 001 | REVISION: A6