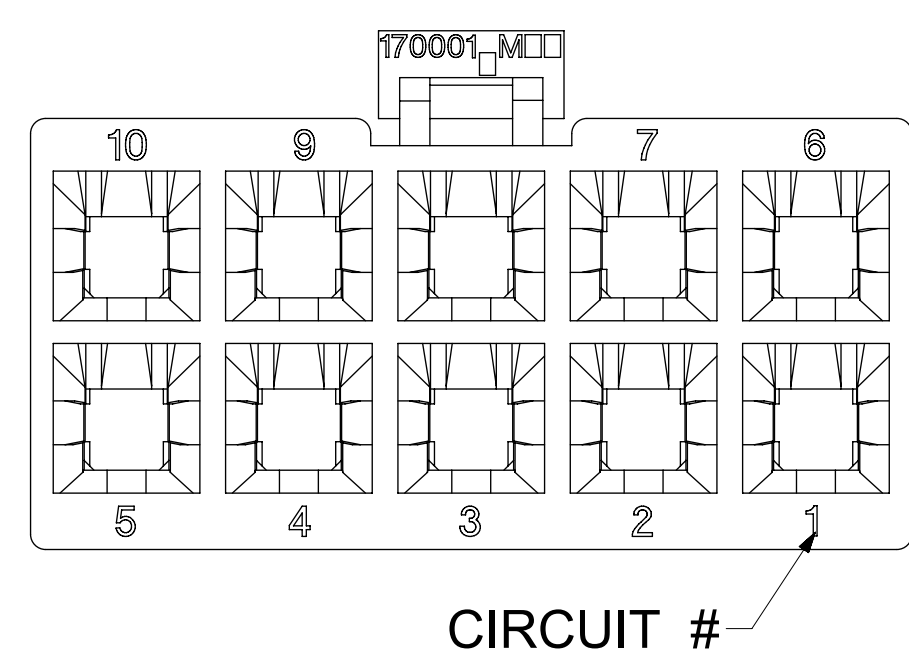
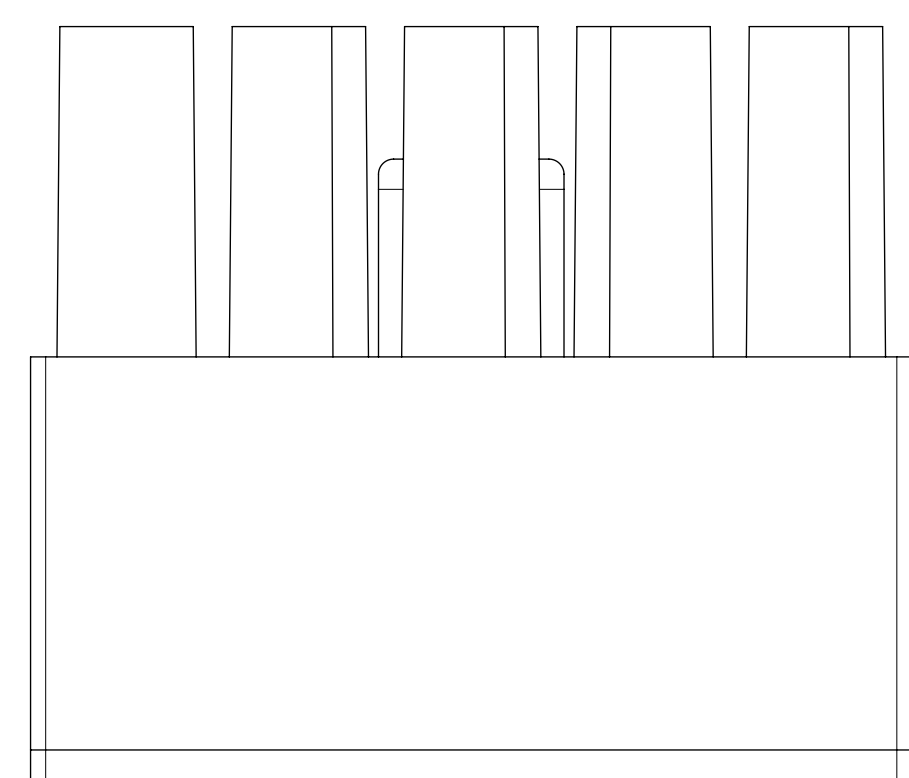
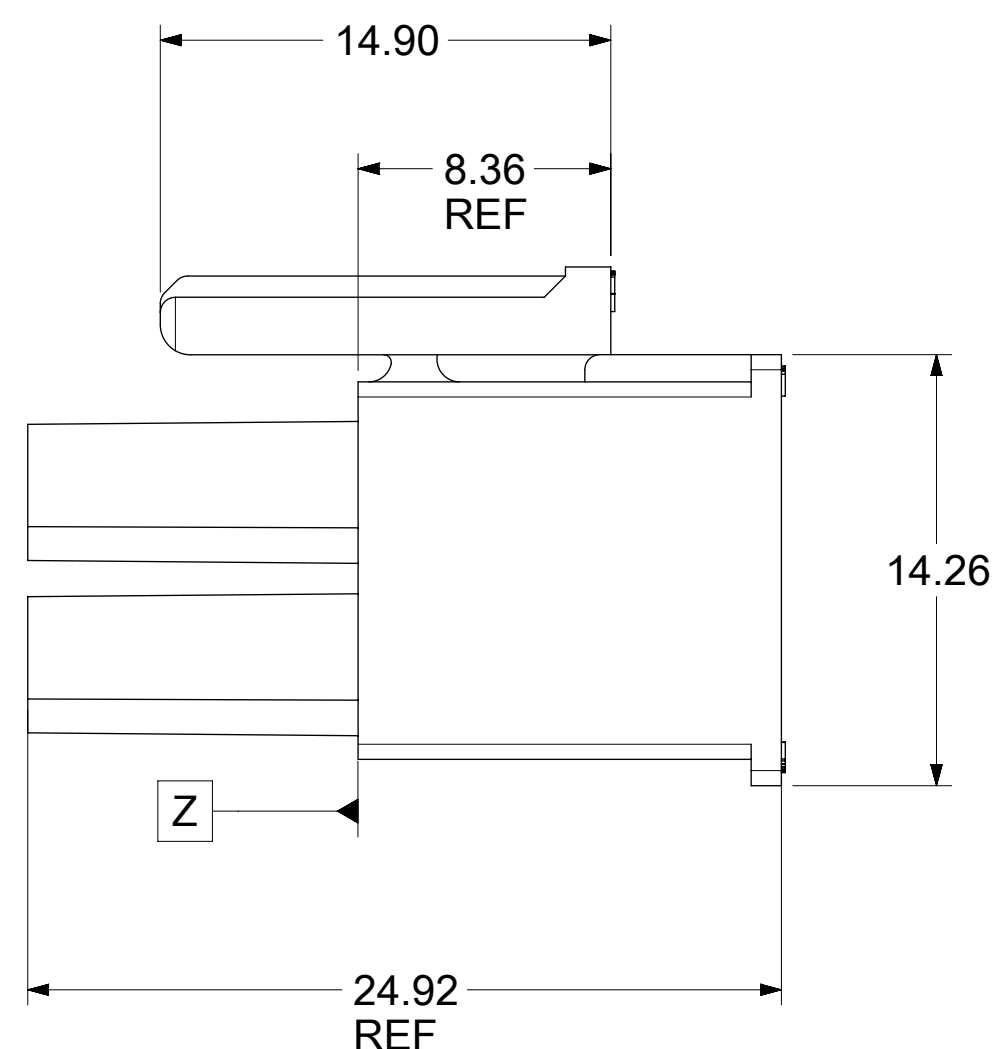
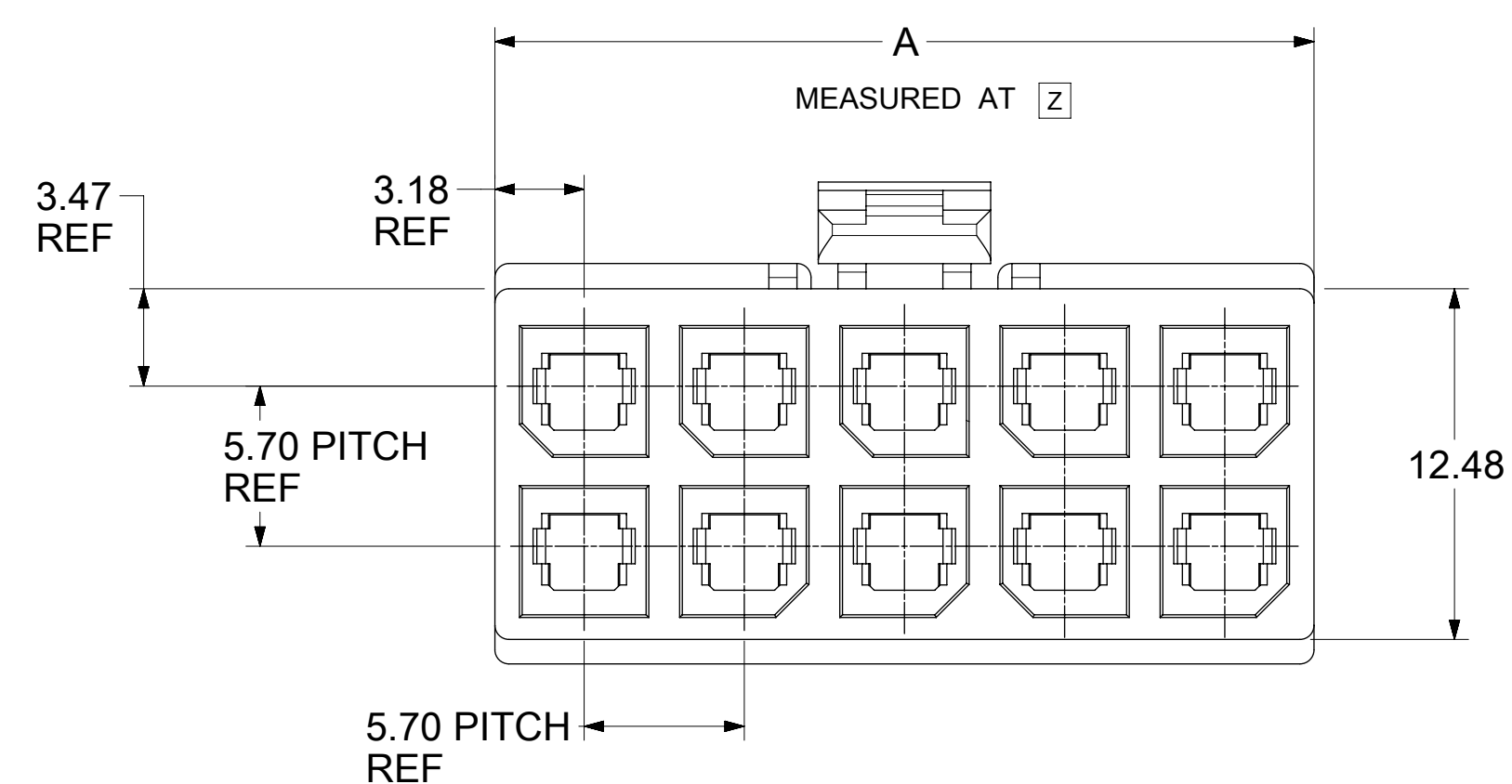


170001-0110



CIRCUIT #

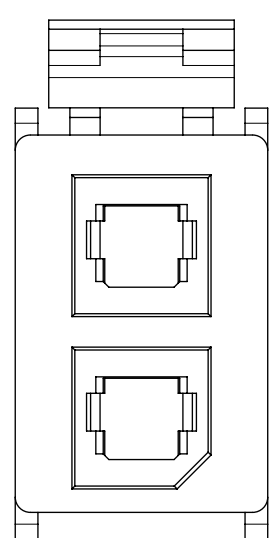
CKT NO	PART NO	DIM A
2	170001-0102	8.35
4	170001-0104	12.05
6	170001-0106	17.75
8	170001-0108	23.45±0.40
10	170001-0110	29.15±0.40
12	170001-0112	34.85±0.40

NOTES:

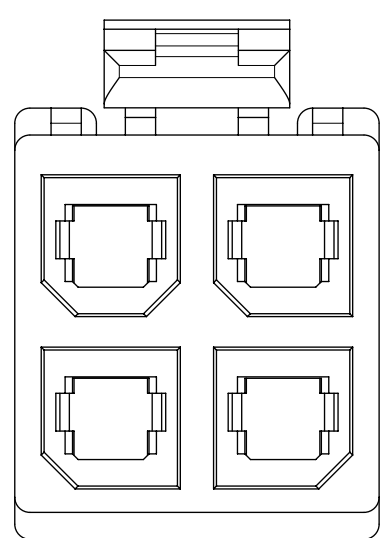
- MATERIAL:
HOUSING: NYLON, UL 94V-2, GLOW WIRE CAPABLE PER IEC-60335-1 5TH EDITION, COLOR: BLACK.
- FINISH: NOT APPLICABLE.
- PRODUCT SPECIFICATION: PS-76823-100.
- PACKAGING: BULK PACK PER PK-170001-001
- PART MATES WITH MOLEX SERIES NUMBERS 76825, 76829, 172064, AND 172065.
- PART IS FOR USE WITH MOLEX FEMALE TERMINAL 76823-032X OR 172063-031X OR 172063-131X SERIES.
- APPLICATION SPECIFICATION: AS-76823-100.

THIS DRAWING CONTAINS INFORMATION THAT IS PROPRIETARY TO MOLEX ELECTRONIC TECHNOLOGIES, LLC AND SHOULD NOT BE USED WITHOUT WRITTEN PERMISSION		CURRENT REV DESC:					
DIMENSION UNITS	SCALE	EC NO: 755658					
mm	NTS	DRWN: WYATTH5 2023/06/21		MEGA-FIT RECEPTACLE HOUSING 2-12 CKT GLOW WIRE			
GENERAL TOLERANCES (UNLESS SPECIFIED)		CHK'D: XQZHANG 2023/07/24					
ANGULAR TOL ± 0.5°		APPR: XQZHANG 2023/07/24		PRODUCT CUSTOMER DRAWING			
4 PLACES ±	INITIAL REVISION:		DOCUMENT NUMBER		DOC TYPE	DOC PART	REVISION
3 PLACES ±	DRWN: MKARADIMAS 2010/11/23		SD-170001-0100		PSD	001	C
2 PLACES ± 0.25	APPR: APATEL 2012/06/13		MATERIAL NUMBER		CUSTOMER		SHEET NUMBER
1 PLACE ±	DRAFT WHERE APPLICABLE MUST REMAIN WITHIN DIMENSIONS		THIRD ANGLE PROJECTION	DRAWING	SERIES	SEE TABLE	
0 PLACES ±	D-DRAWING		D-SIZE	170001	GENERAL MARKET		1 OF 2

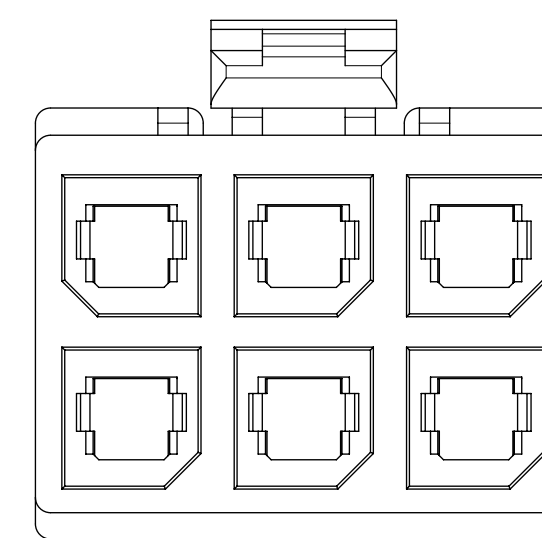
2 CKTS



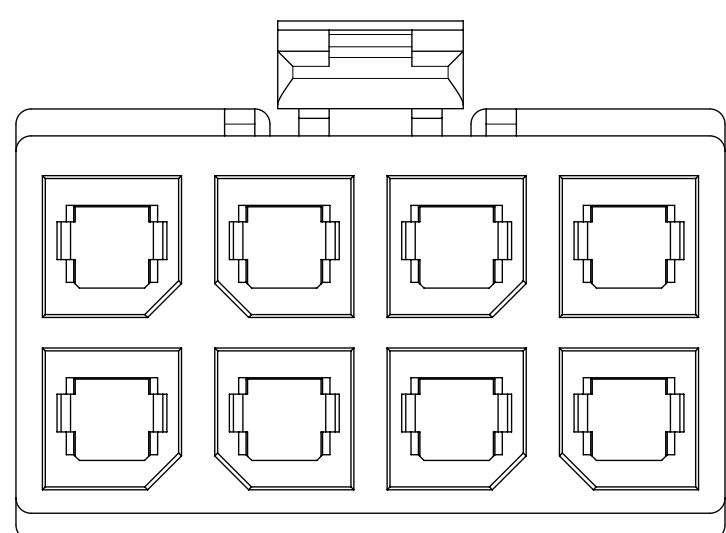
4 CKT



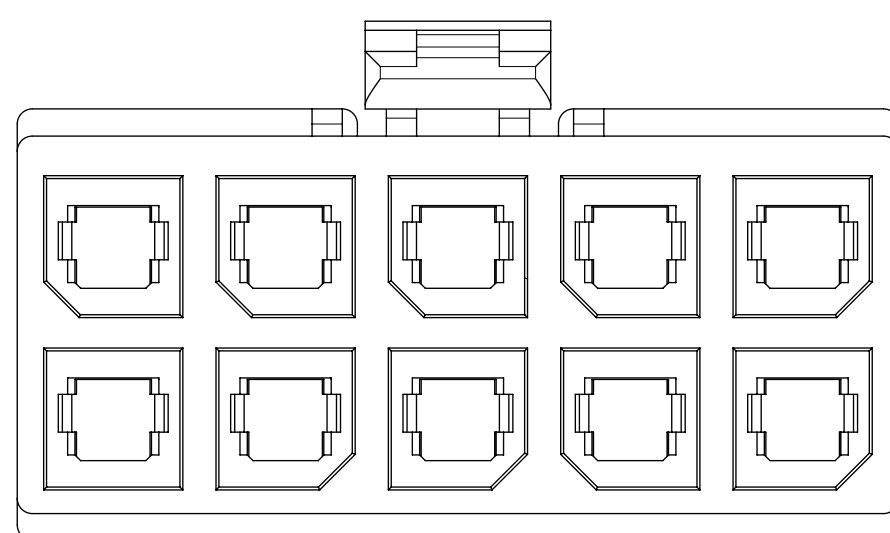
6 CKT



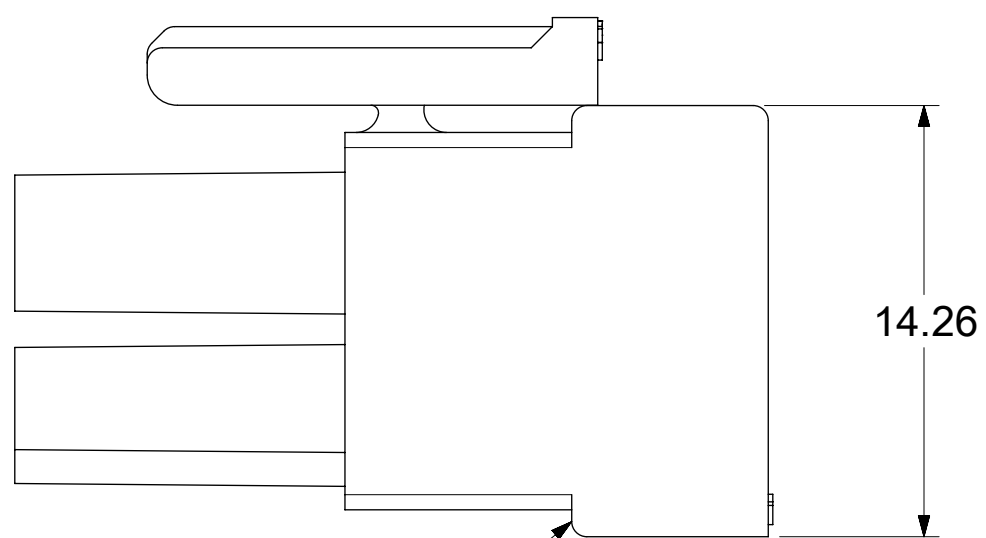
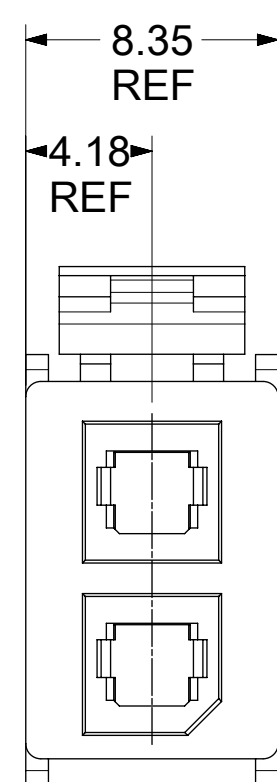
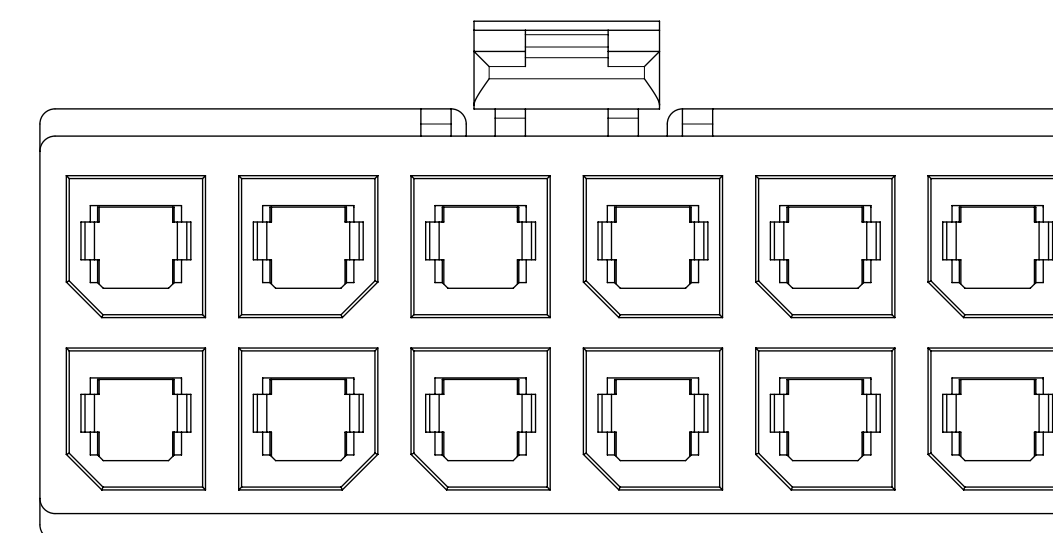
8 CKT



10 CKTS



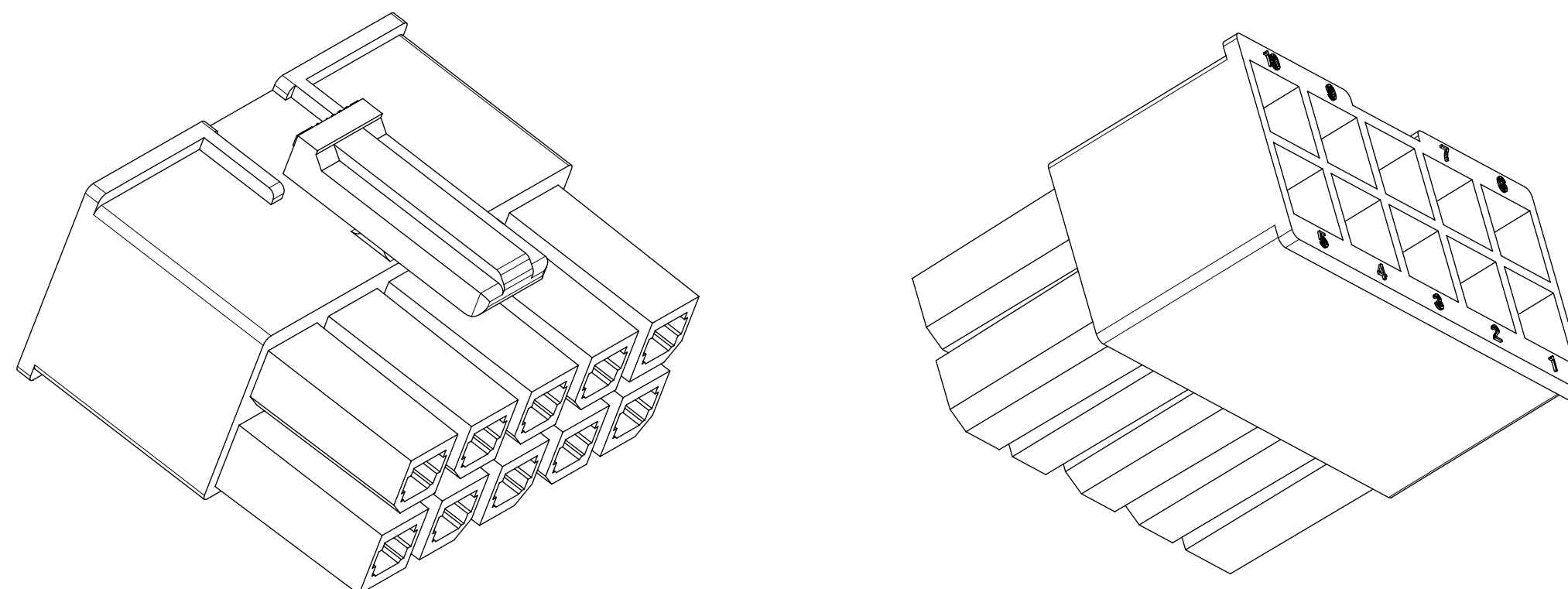
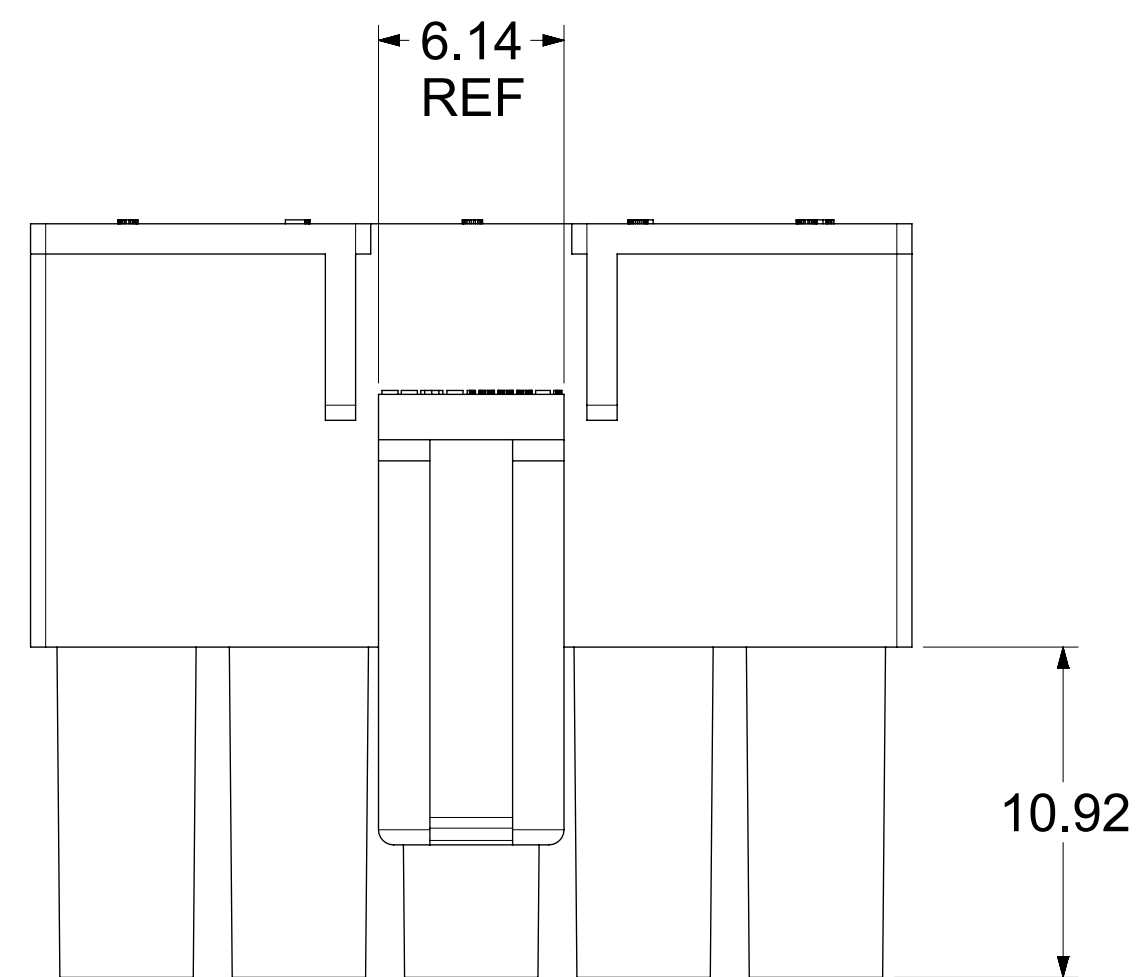
12 CKTS



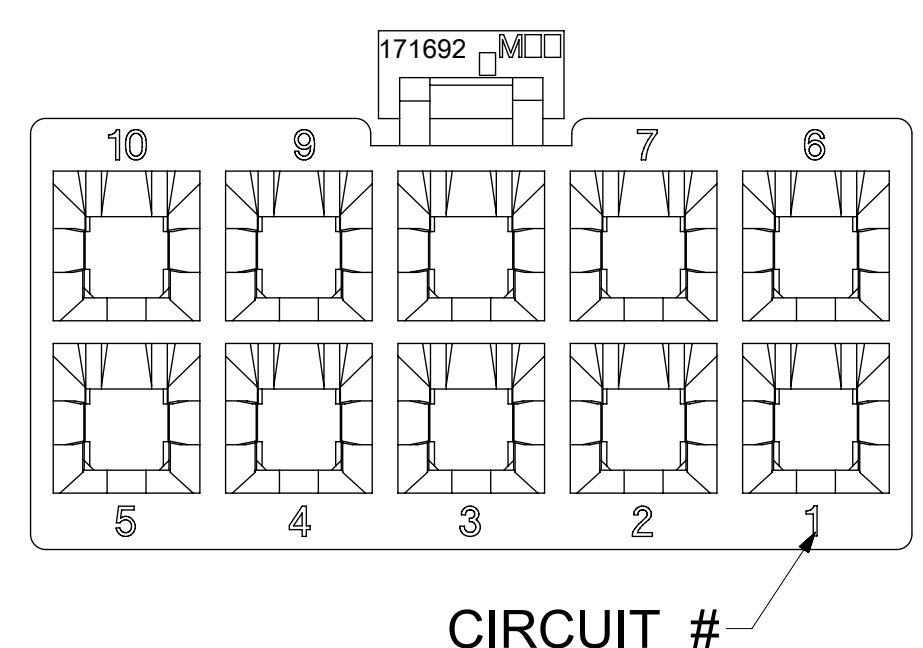
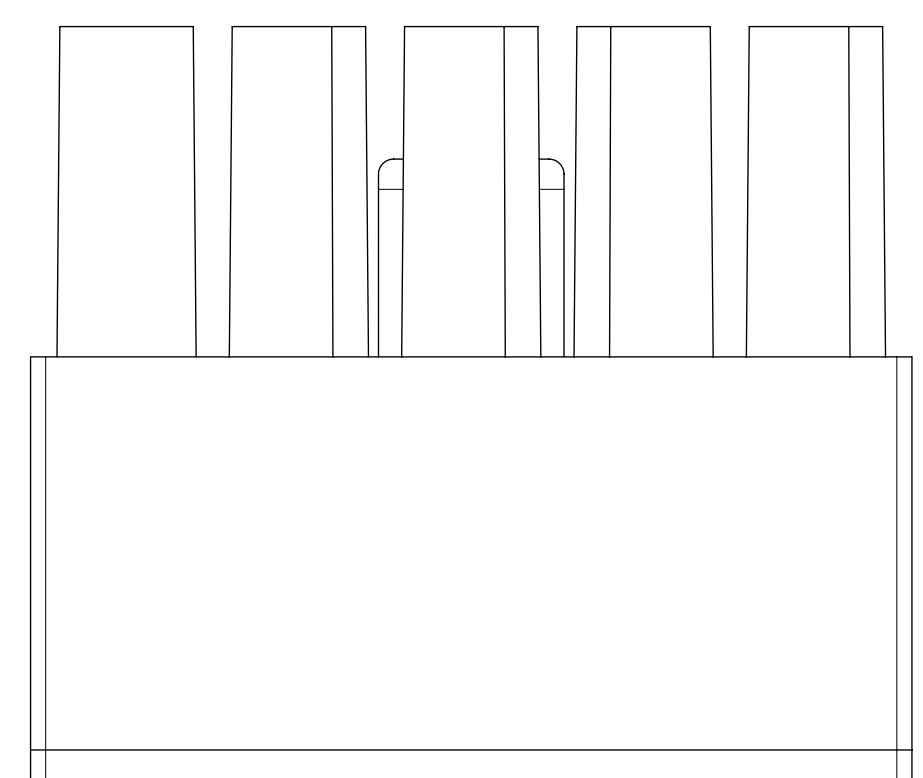
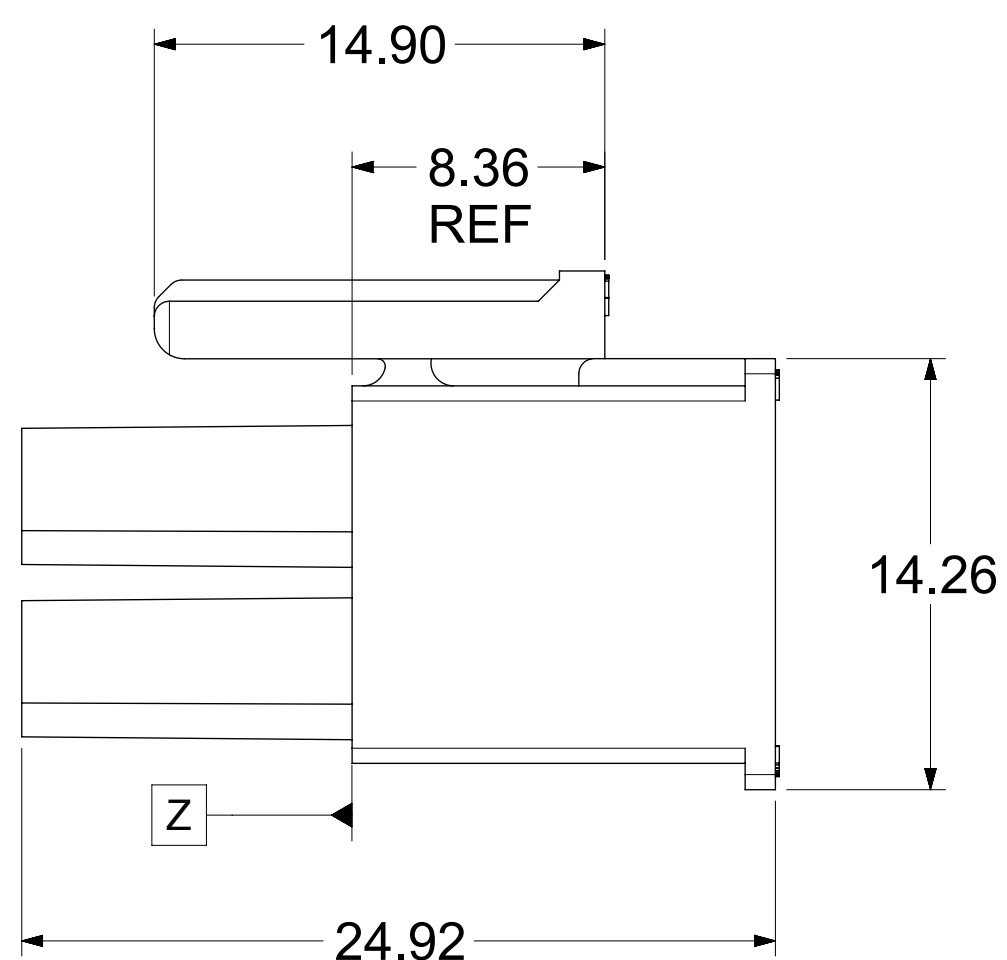
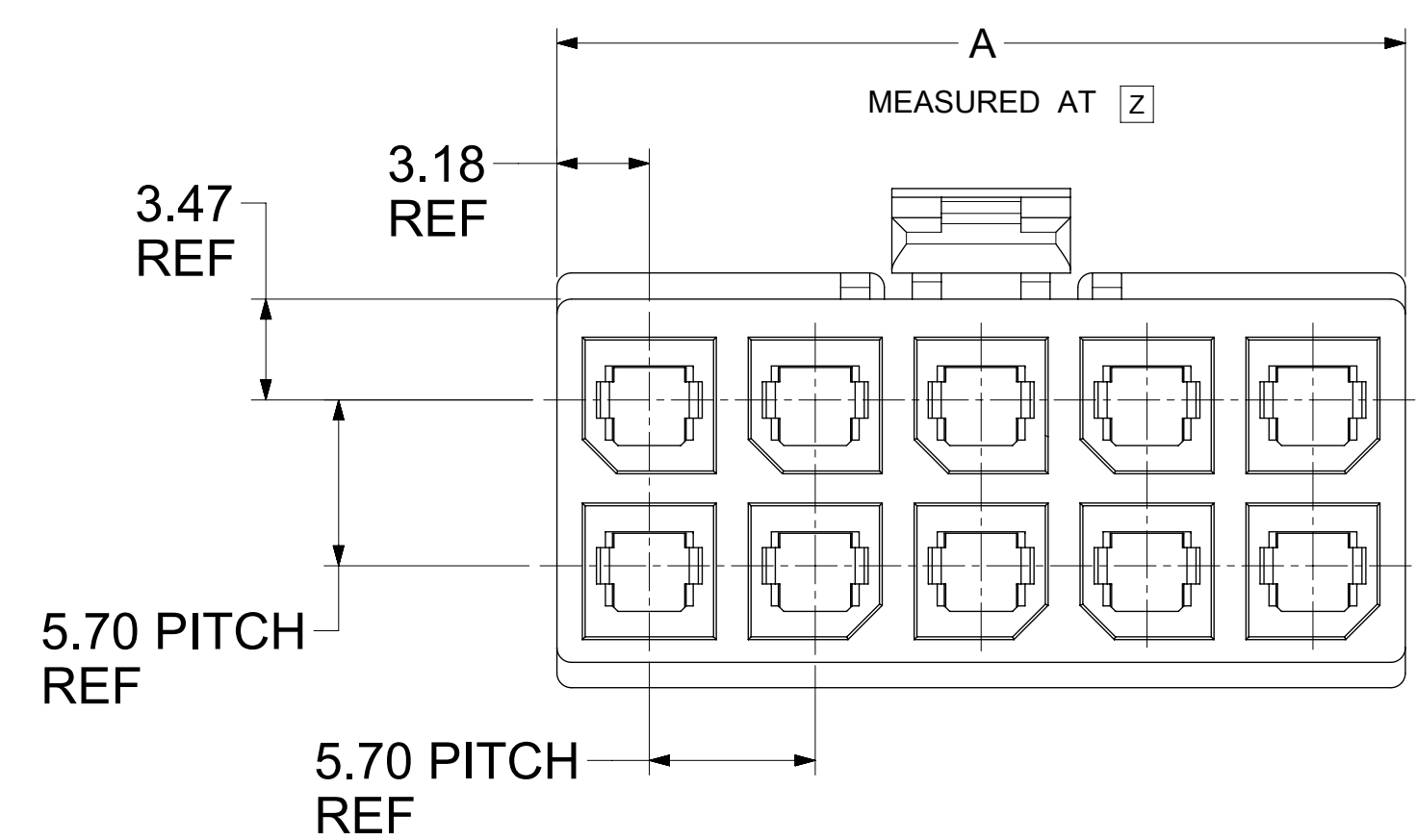
BOTTOM RIBS ON 2CKT ONLY

170001-0102

THIS DRAWING CONTAINS INFORMATION THAT IS PROPRIETARY TO MOLEX ELECTRONIC TECHNOLOGIES, LLC AND SHOULD NOT BE USED WITHOUT WRITTEN PERMISSION									
DIMENSION UNITS	SCALE	CURRENT REV DESC:							
mm	NTS	<p>molex</p> <p>MEGA-FIT RECEPTACLE HOUSING 2-12 CKT GLOW WIRE</p> <p>PRODUCT CUSTOMER DRAWING</p>							
GENERAL TOLERANCES (UNLESS SPECIFIED)									
ANGULAR TOL	± 0.5°								
4 PLACES	±								
3 PLACES	±								
2 PLACES	± 0.25	EC NO: 755658	2023/06/21		DOCUMENT NUMBER		DOC TYPE	DOC PART	REVISION
1 PLACE	±	DRWN: WYATTH5	2023/07/24		SD-170001-0100		PSD	001	C
0 PLACES	±	CHK'D: XQZHANG	2023/07/24		MATERIAL NUMBER		CUSTOMER		SHEET NUMBER
DRAFT WHERE APPLICABLE MUST REMAIN WITHIN DIMENSIONS		APPR: XQZHANG	2023/07/24		SEE TABLE		GENERAL MARKET		2 OF 2
		INITIAL REVISION:	2010/11/23		SERIES		CUSTOMER		
		DRWN: MKARADIMAS	2012/06/13		170001				
		APPR: APATEL							
		THIRD ANGLE PROJECTION	DRAWING		D-SIZE				



171692-0110



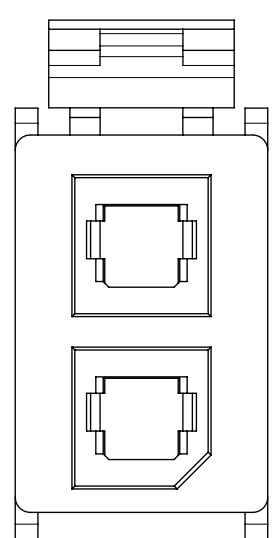
CKT NO	PART NO	DIM A
2	171692-0102	8.35
4	171692-0104	12.05
6	171692-0106	17.75
8	171692-0108	23.45±0.40
10	171692-0110	29.15±0.40
12	171692-0112	34.85±0.40

NOTES:

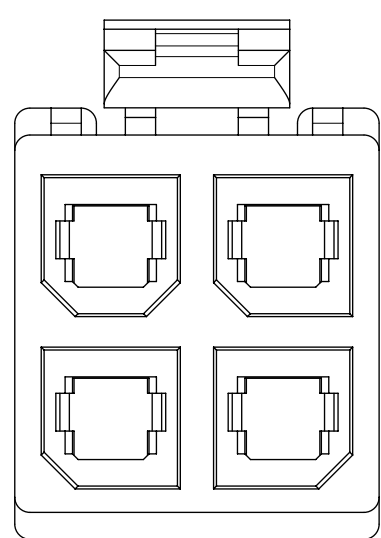
- MATERIAL:
HOUSING: PBT, UL 94V-0, COLOR: BLACK.
- FINISH: NOT APPLICABLE.
- PRODUCT SPECIFICATION: PS-76823-100.
- PACKAGING: BULK PACK PER PK-170001-001
- PART MATES WITH MOLEX SERIES NUMBERS 76825, 76829, 172064, AND 172065.
- PART IS FOR USE WITH MOLEX FEMALE TERMINAL 76823-032X OR 172063-031X OR 172063-131X SERIES.
- APPLICATION SPECIFICATION: AS-76823-100.

THIS DRAWING CONTAINS INFORMATION THAT IS PROPRIETARY TO MOLEX ELECTRONIC TECHNOLOGIES, LLC AND SHOULD NOT BE USED WITHOUT WRITTEN PERMISSION		CURRENT REV DESC:			
DIMENSION UNITS	SCALE	EC NO: 755658			
mm	NTS	DRWN: WYATTH5 2023/07/04		MEGA-FIT RECEPTACLE HOUSING 2-12 CKT	
GENERAL TOLERANCES (UNLESS SPECIFIED)		CHK'D: XQZHANG 2023/07/24			
ANGULAR TOL	± 0.5°	APPR: XQZHANG 2023/07/24		PRODUCT CUSTOMER DRAWING	
4 PLACES	±	INITIAL REVISION:		DOCUMENT NUMBER	
3 PLACES	±	DRWN: MKARADIMAS 2012/08/01		SD-171692-0100	
2 PLACES	± 0.25	APPR: APATEL 2012/08/17		DOC TYPE	DOC PART
1 PLACE	±	DRAFT WHERE APPLICABLE MUST REMAIN WITHIN DIMENSIONS		PSD	001
0 PLACES	±	THIRD ANGLE PROJECTION		REVISION	C2
D-DRAWING		SERIES		SHEET NUMBER	
D-SIZE		171692		1 OF 2	
SEE CHART		GENERAL MARKET			

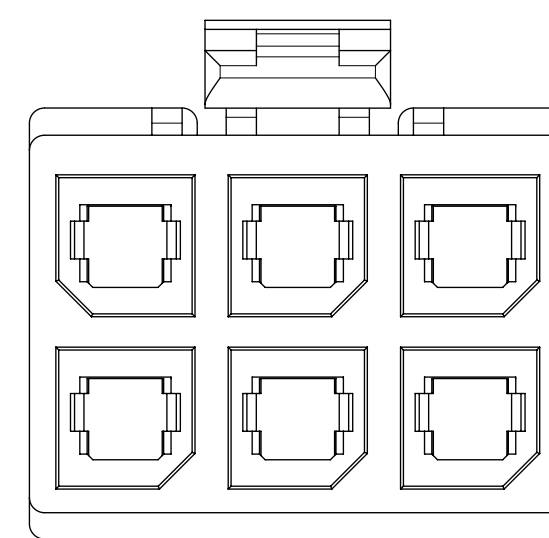
2 CKTS



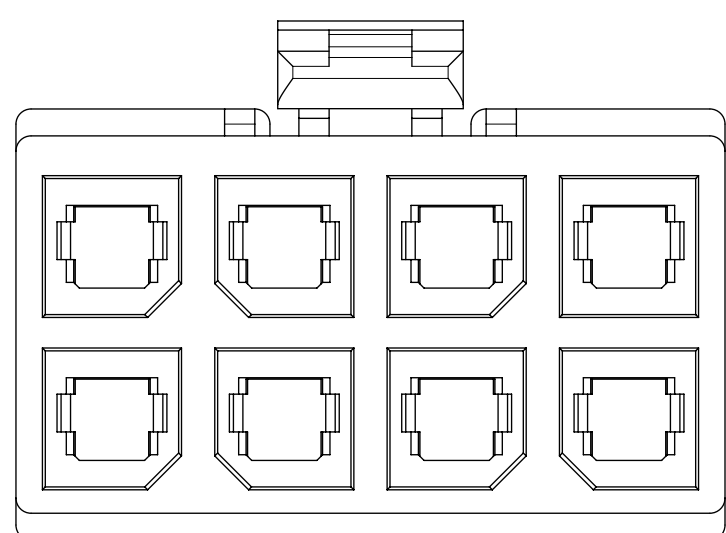
4 CKT



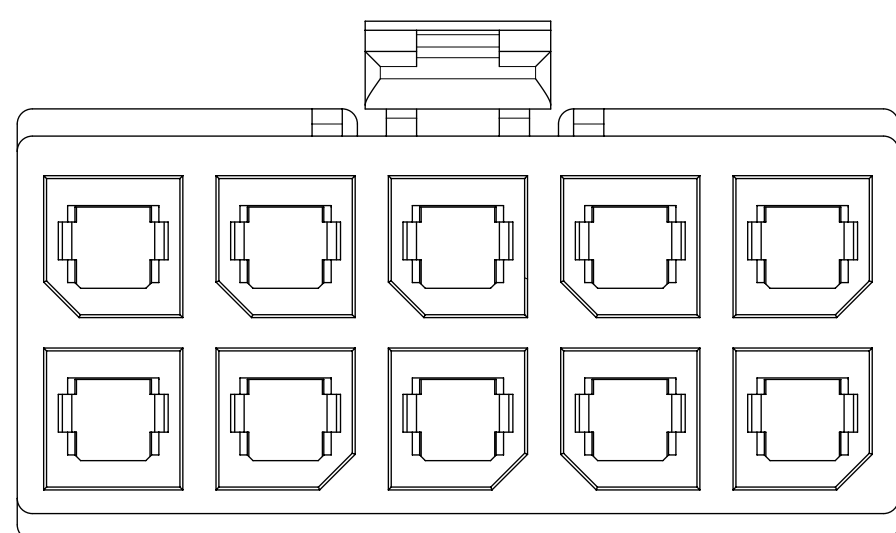
6 CKT



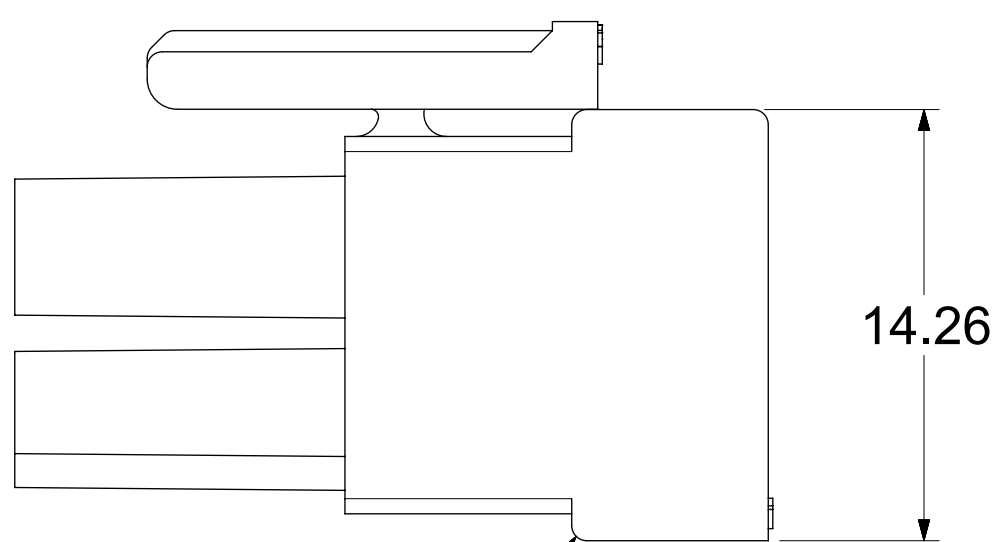
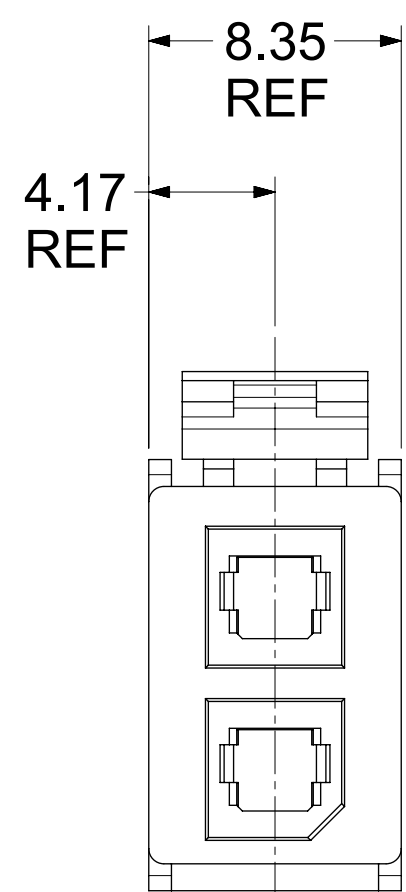
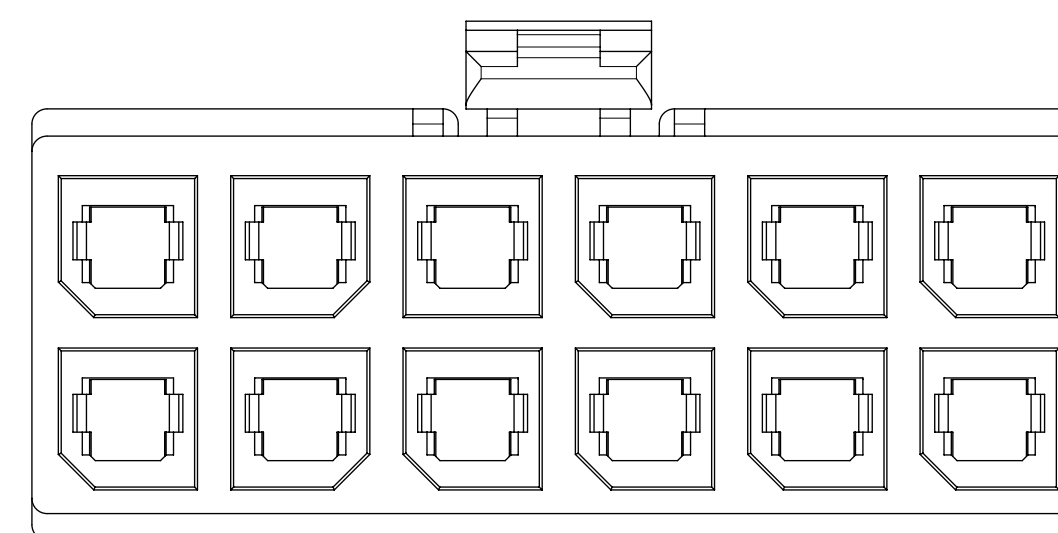
8 CKT



10 CKTS



12 CKTS



BOTTOM RIB ON
2 CKT ONLY

171692-0102

THIS DRAWING CONTAINS INFORMATION THAT IS PROPRIETARY TO MOLEX ELECTRONIC TECHNOLOGIES, LLC AND SHOULD NOT BE USED WITHOUT WRITTEN PERMISSION										
DIMENSION UNITS	SCALE	CURRENT REV DESC:								
mm	NTS	<p>molex</p> <p>MEGA-FIT RECEPTACLE HOUSING 2-12 CKT</p> <p>PRODUCT CUSTOMER DRAWING</p>								
GENERAL TOLERANCES (UNLESS SPECIFIED)										
ANGULAR TOL	± 0.5°									
4 PLACES	±									
3 PLACES	±									
2 PLACES	± 0.25	EC NO: 755658	2023/07/04		DOCUMENT NUMBER			DOC TYPE	DOC PART	REVISION
1 PLACE	±	DRWN: WYATTH5	2023/07/24		SD-171692-0100			PSD	001	C2
0 PLACES	±	CHK'D: XQZHANG	2023/07/24		SEE CHART			GENERAL MARKET		
DRAFT WHERE APPLICABLE MUST REMAIN WITHIN DIMENSIONS		APPR: XQZHANG	2023/07/24		INITIAL REVISION:			SHEET NUMBER		
		DRWN: MKARADIMAS	2012/08/01		D-SIZE			2 OF 2		
		APPR: APATEL	2012/08/17		SERIES			171692		
		THIRD ANGLE PROJECTION	DRAWING		MATERIAL NUMBER			CUSTOMER		
					SEE CHART			GENERAL MARKET		