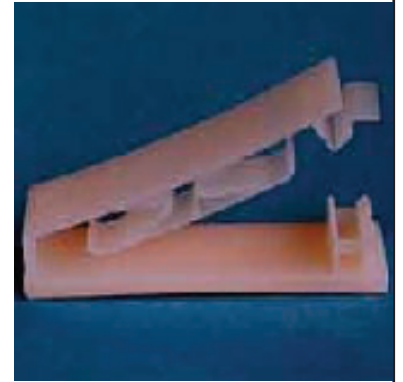
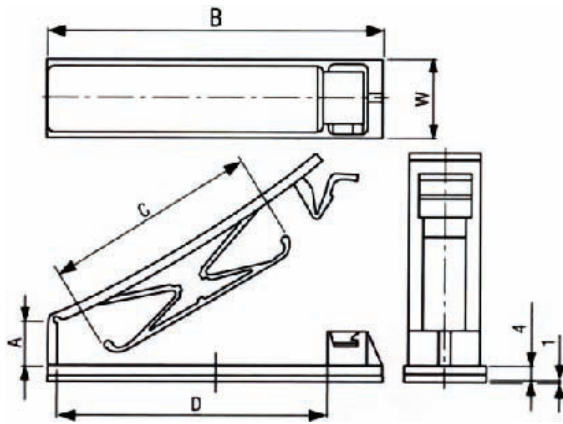


## Flat Cable Clamp



FCN

Part No.	Cable width	Cable thickness	A mm	B mm	C mm	D mm	W mm
FCN-25P	32.0	2.6	12	47	23	32	19
FCN-50P	63.5	7.0	16	79	50	64	
FCN-60M	77.0	16.0	26	90	76	78.5	

Material:	Nylon 66 (UL)
Flame class:	94 V-2
Color:	Natural
Std. Package:	100 pcs.