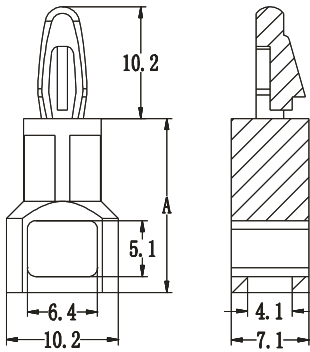


## Rivet Locking Support Post



Top Hole: 4.00±0.08mm  
Top Panel Thickness: 1.57mm

Bottom Hole: 4.1 - 4.2mm  
Bottom Panel Thickness:  
See Rivet Table



SMTQ

Part No.	Part No.	A ±0.4mm
SMTQ-4	SMTQ-4-V0	6.4
SMTQ-6	SMTQ-6-V0	9.5
SMTQ-8	SMTQ-8-V0	12.7
SMTQ-10	SMTQ-10-V0	15.9
SMTQ-12	SMTQ-12-V0	19.1
SMTQ-14	SMTQ-14-V0	22.2
SMTQ-16	SMTQ-16-V0	25.4
SMTQ-18	SMTQ-18-V0	28.6
SMTQ-22.5	SMTQ-22.5-V0	35.7

Material:	Nylon 6 or 66 (UL)
Flame class:	94 V0 or V-2
Color:	Natural
Std. Package:	1.000 pcs.

Rivet #	R4050	R4060	R4070	R4080	R4090	R4100
Thickness	0.7-1.6	1.5-2.7	2.7-3.7	3.7-4.7	4.7-5.7	5.7-6.7