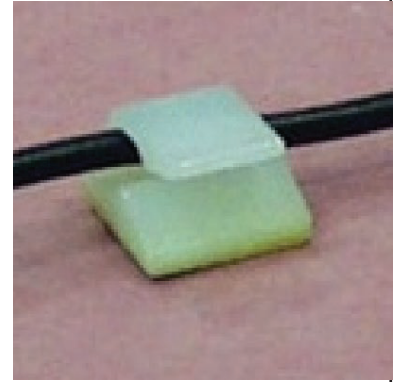
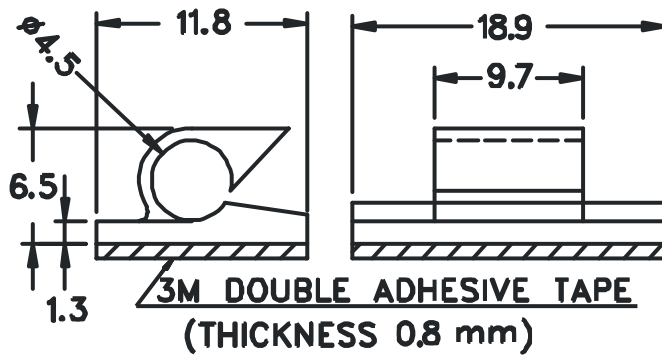


Cable Clamp



XDM-11

Part No.	Package
XDM-11	1000

Material:	Nylon 66 (UL)
Flame class:	94 V-2
Color:	Natural
Std. Package:	1000 pcs.