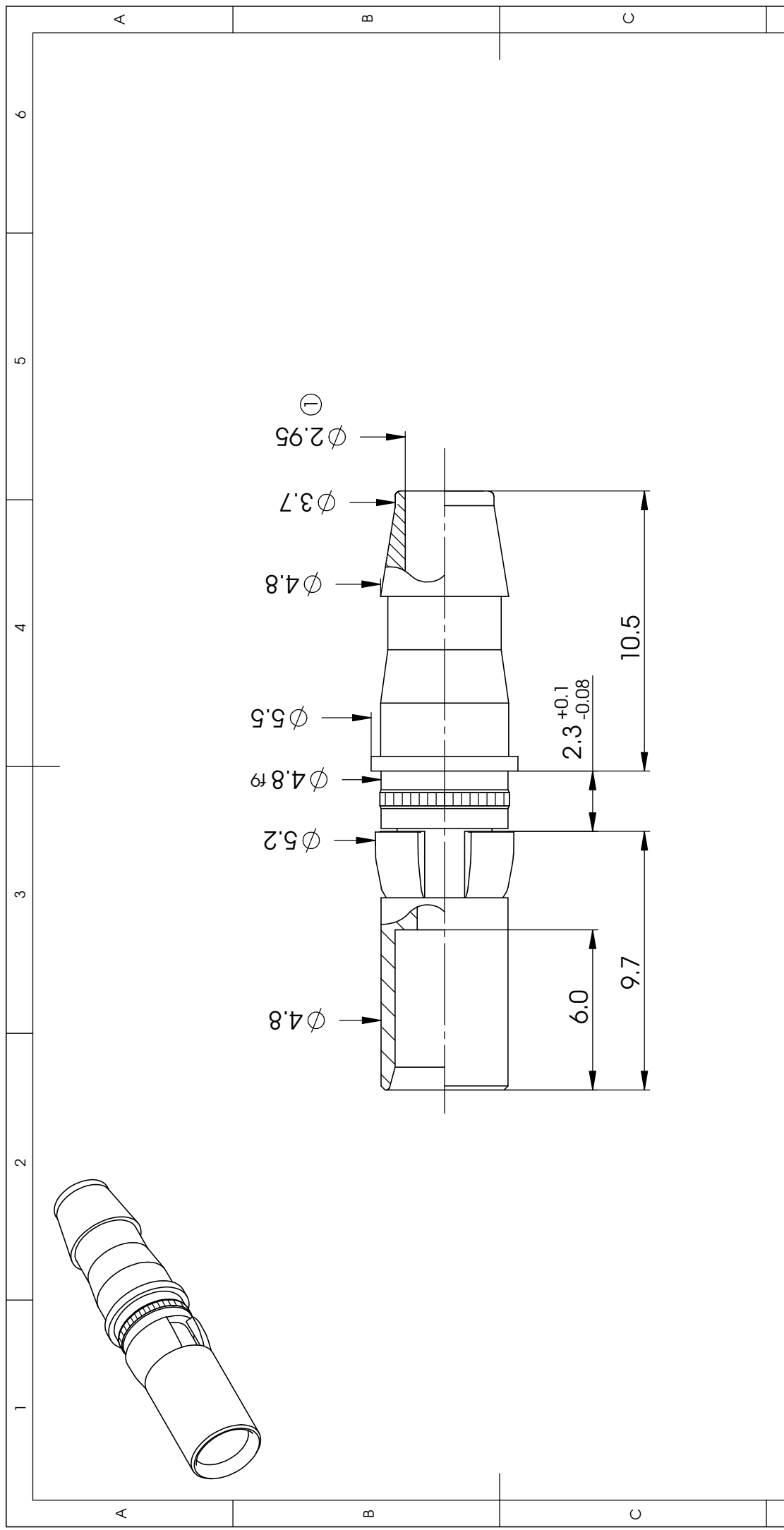



COMMENT:
 ALL RIGHTS ARE RESERVED BY US FOR THIS DRAWING. WITHOUT OUR PRIOR CONSENT,
 IT MAY NEITHER BE DUPLICATED NOR MADE AVAILABLE TO A THIRD PARTY,
 AND IT ALSO MAY NOT BE IMPROPERLY USED BY THE RECEIVER, OR A THIRD PARTY.



TUBE I.D. 4.0		PNEUMATIC CONTACT		SCALE 5:1	
FOR	D-SUB	DATE	NAME	DRAWN	01-12-2006
DIMENSIONS IN MM		CHECKED	ffuhrmann	CHECKED	08-12-2006
MATERIAL + FINISH SEE EXTRA SHEET		msteinbrueck			
UNLESS OTHERWISE SPECIFIED DIMENSIONS FOR REFERENCE ONLY		 www.fctgroup.com			
1	08-12-2006	11499	INDEX	PART NO. FMG004S149KR	
REV.	DATE	INDEX	REPLACEMENT FOR:		
1	2		REV. 1		
				PAGE: 1/1	