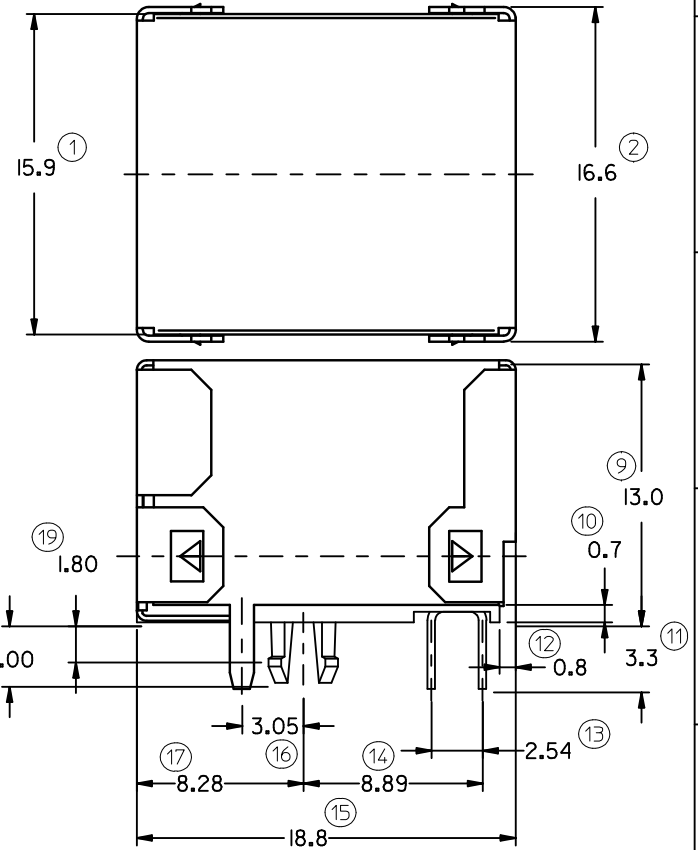
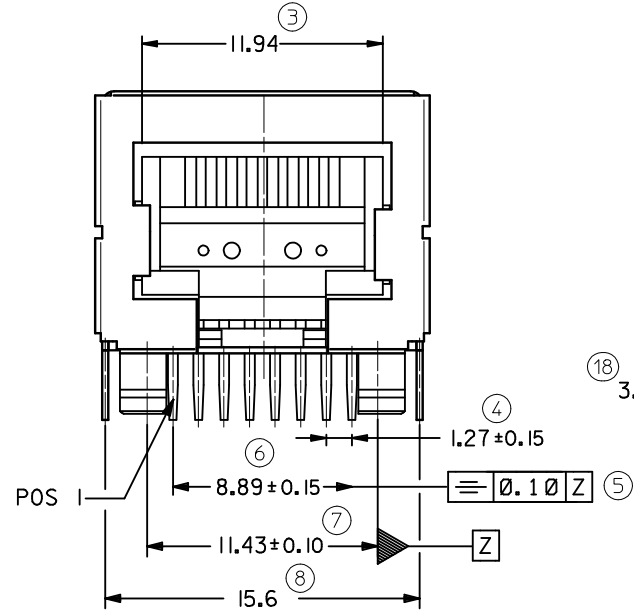
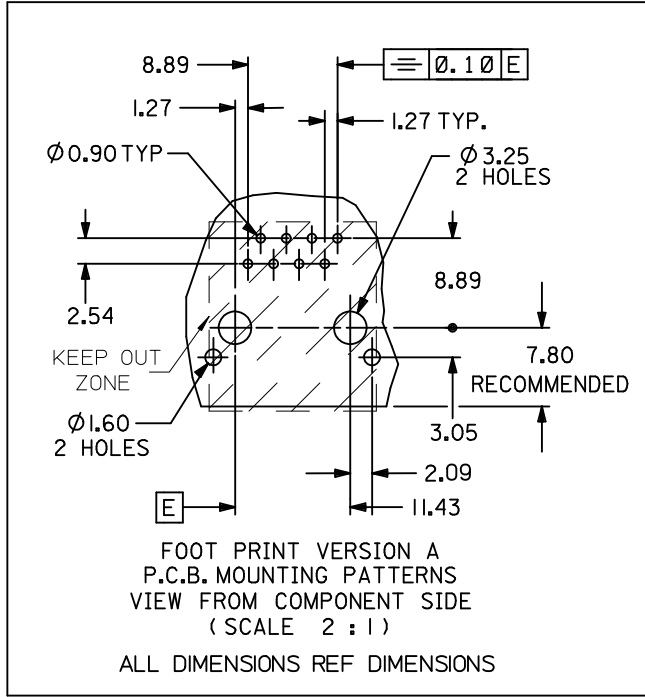


TECHNICAL SPECIFICATIONS:

I- MATERIAL :

HOUSING: LCP GLASS FILLED UL 94VO COLOR BLACK
 TERMINAL : PHOSPHOR BRONZE PLATED WITH:
 BASE FINISH: NICKEL
 CONTACT SURFACE FINISH:
 GOLD
 OR
 GOLD FLASH OVER PALLADIUM NICKEL.
 EXCEEDS PRODUCT REQUIREMENTS BASED ON PS-85505-101
 SHIELD : BRASS PLATED WITH 0.0020 MIN. TIN

ENG.N°.	FOOTPRINT VERSION	HOUSING SIZE	LOADED CKTS	PANEL GROUND	TOOLED	PACKAGING SPEC. TUBE PACKAGING.
85505-5113	A	8	8	NO	YES	PK-95122-006



NOTES:

- 1- JACK FOR MATING WITH SHIELDED PLUG MOLEX 95043 AND 85568 SERIES.
 - 2- PRODUCT SPECIFICATION: MOLEX PS-85505-101
 - 3- APPLICATION SPECIFICATION: MOLEX AS-85513-001
 - 4- PACKAGING SPECIFICATION: SEE CHART
 - 5- P.C. BOARD THICKNESS : 1.57
 - 6- EXCEEDS CATEGORY 5E PERFORMANCE.
- LAST INSPECTION NUMBER: 19

REMOVED OPTION EC NO: IPG2012-0606 DRWINGBYRNES 2012/03/30 CHKD:SMCGREVV 2012/04/02 APPR:EFOLAN 2012/06/26	DESCRIPTION	QUALITY SYMBOLS	GENERAL TOLERANCES (UNLESS SPECIFIED)		DIMENSION STYLE		SCALE	DESIGN UNITS	THIRD ANGLE PROJECTION		
		▽=0 ◻=0	mm	INCH	MM ONLY		4:1	METRIC			
			4 PLACES ± --- ± ---	3 PLACES ± --- ± ---	DRAWN BY	DATE	TITLE				
			2 PLACES ± 0.25 ± ---	1 PLACE ± 0.35 ± ---	CHECKED BY	DATE	HIGH SPEED MODULAR JACK R/A FULLY SHIELDED THROUGH HOLE - VERSION A				
		ANGULAR ± 2 °	DRAFT WHERE APPLICABLE MUST REMAIN WITHIN DIMENSIONS		APPROVED BY	DATE	MATERIAL NO.		DOCUMENT NO.		
					KNOLLER	2005/03/08	SEE CHART		SD-85505-106		
					SIZE		THIS DRAWING CONTAINS INFORMATION THAT IS PROPRIETARY TO MOLEX INCORPORATED AND SHOULD NOT BE USED WITHOUT WRITTEN PERMISSION				
					A3		SHEET NO. 1 OF 1				