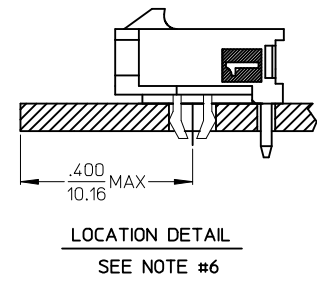
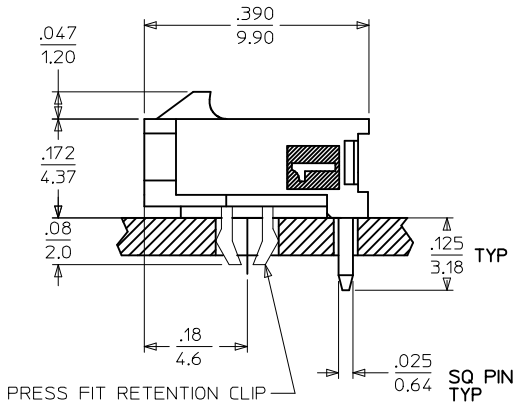
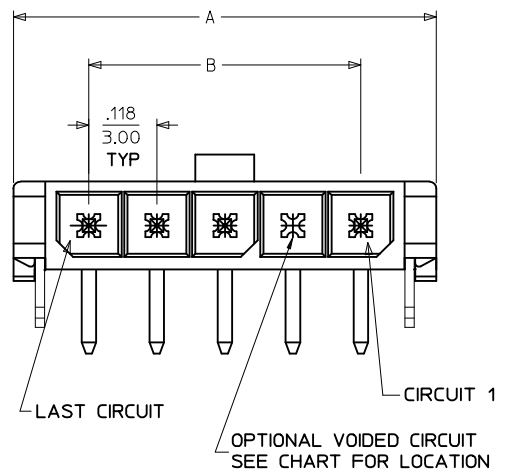
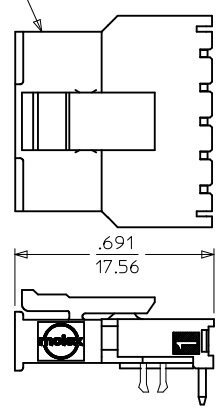


PCB LAYOUT: COMPONENT SIDE  
RECOMMENDED PCB THICKNESS: .062/157



| CKTS | DIM A         | DIM B         | DIM C         |
|------|---------------|---------------|---------------|
| 2    | .380 / 9.65   | .118 / 3.00   | .287 / 7.30   |
| 3    | .498 / 12.65  | .236 / 6.00   | .405 / 10.30  |
| 4    | .616 / 15.65  | .354 / 9.00   | .524 / 13.30  |
| 5    | .734 / 18.64  | .472 / 12.00  | .642 / 16.30  |
| 6    | .852 / 21.64  | .591 / 15.00  | .760 / 19.30  |
| 7    | .970 / 24.64  | .709 / 18.00  | .878 / 22.30  |
| 8    | 1.088 / 27.64 | .827 / 21.00  | .996 / 25.30  |
| 9    | 1.206 / 30.63 | .945 / 24.00  | 1.114 / 28.30 |
| 10   | 1.325 / 33.66 | 1.063 / 27.00 | 1.232 / 31.30 |
| 11   | 1.443 / 36.65 | 1.181 / 30.00 | 1.350 / 34.30 |
| 12   | 1.561 / 39.65 | 1.299 / 33.00 | 1.469 / 37.30 |

RECEPTACLE #43645



MATED MICRO FIT CONNECTOR

NOTES:

- HOUSING MATERIAL: LIQUID CRYSTAL POLYMER, GLASS FILLED, UL94V-0, COLOR: BLACK  
TERMINAL MATERIAL: BRASS ALLOY
- FINISH:  
A = .000100/(0.00254) MIN. BRIGHT TIN OVER  
.000050/(0.00127) MIN. NICKEL  
B = .000015/(0.00038) MIN. SELECT GOLD IN CONTACT AREA  
.000100/(0.00254) MIN. SELECT MATTE TIN ON SOLDER TAILS  
BOTH OVER .000050/(0.00127) NICKEL OVERALL  
C = .000030/(0.00076) MIN. SELECT GOLD IN CONTACT AREA  
.000100/(0.00254) MIN. SELECT MATTE TIN ON SOLDER TAILS  
BOTH OVER .000050/(0.00127) NICKEL OVERALL

- PRODUCT SPECIFICATION: PS-43650
- TRAY PACKAGED : SEE MOLEX DRAWING PK-70873-0321
- MATES WITH MICRO FIT (3.0) RECEPTACLE SERIES 43645
- TO AVOID INTERFERENCE BETWEEN RECEPTACLE AND PCB, HEADER MUST BE PLACED WITHIN .400/(10.16) MAX. FROM EDGE OF PCB, AS SHOWN IN LOCATION DETAIL.
- PART CONFORMS TO CLASS 'B' REQUIREMENTS OF COSMETIC SPECIFICATION PS-45499-002.

| CKTS | FINISH A     |          | FINISH B     |  | FINISH C     |  |
|------|--------------|----------|--------------|--|--------------|--|
|      | MATERIAL NO: | VOID CKT | MATERIAL NO: |  | MATERIAL NO: |  |
| 02   | 43650-0203   |          | 43650-0204   |  | 43650-0205   |  |
| 03   | 43650-0303   |          | 43650-0304   |  | 43650-0305   |  |
| 04   | 43650-0403   |          | 43650-0404   |  | 43650-0405   |  |
| 05   | 43650-0503   |          | 43650-0504   |  | 43650-0505   |  |
| 06   | 43650-0603   |          | 43650-0604   |  | 43650-0605   |  |
| 07   | 43650-0703   |          | 43650-0704   |  | 43650-0705   |  |
| 08   | 43650-0803   |          | 43650-0804   |  | 43650-0805   |  |
| 09   | 43650-0903   |          | 43650-0904   |  | 43650-0905   |  |
| 10   | 43650-1003   |          | 43650-1004   |  | 43650-1005   |  |
| 11   | 43650-1103   |          | 43650-1104   |  | 43650-1105   |  |
| 12   | 43650-1203   |          | 43650-1204   |  | 43650-1205   |  |
| 07   | 43650-1703   | 05       |              |  |              |  |

|  |                                      |  |  |  |  |   |   |                           |
|--|--------------------------------------|--|--|--|--|---|---|---------------------------|
| ADD 43650-1703<br>EC NO: UCP2013-2031<br>DRW: NGUYEN 2012/11/20<br>CHKD: SSOUSEK 2012/11/20<br>APPR: FSM/TH 2012/12/03 | QUALITY SYMBOLS<br>∇=0<br>∇=0<br>∇=0 | GENERAL TOLERANCES (UNLESS SPECIFIED)<br>mm INCH<br>4 PLACES ± --- ± ---<br>3 PLACES ± --- ± .010<br>2 PLACES ± 0.25 ± .014<br>1 PLACE ± 0.36 ± ---<br>0 PLACE ± ± | DIMENSION STYLE<br>IN/MM<br>DRAWN BY DATE<br>SAMIEC 2000/07/07<br>CHECKED BY DATE<br>MUELLER 2000/07/07<br>APPROVED BY DATE<br>EDGLEY 2000/07/07 | SCALE<br>---<br>DESIGN UNITS<br>METRIC<br>THIRD ANGLE PROJECTION | TITLE<br>MICRO FIT (3.0)<br>SINGLE ROW / RIGHT ANGLE<br>THRU HOLE / CLIPS / TRAY<br><b>molex</b> | DOCUMENT NO.<br>SD-43650-002<br>SHEET NO.<br>1 OF 1 |   |                           |
|  |                                      |  |  |  |  |   | ANGULAR ±1/2°<br>DRAFT WHERE APPLICABLE<br>MUST REMAIN WITHIN DIMENSIONS  | MATERIAL NO.<br>SEE CHART |
|  |                                      |  |  |  |  |   | SIZE<br>C THIS DRAWING CONTAINS INFORMATION THAT IS PROPRIETARY TO MOLEX INCORPORATED AND SHOULD NOT BE USED WITHOUT WRITTEN PERMISSION |                           |