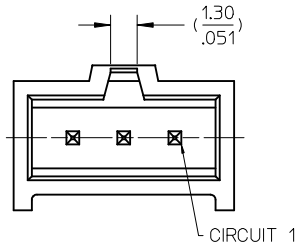
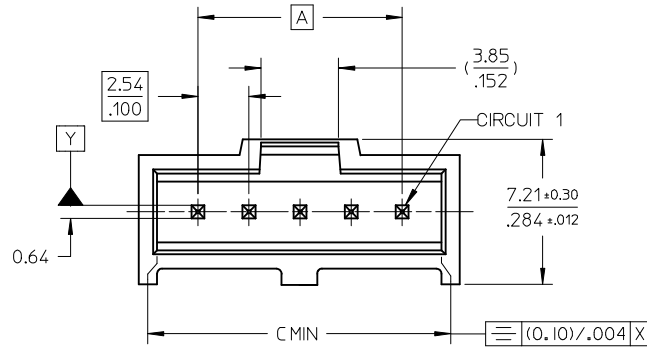
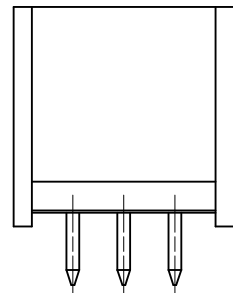


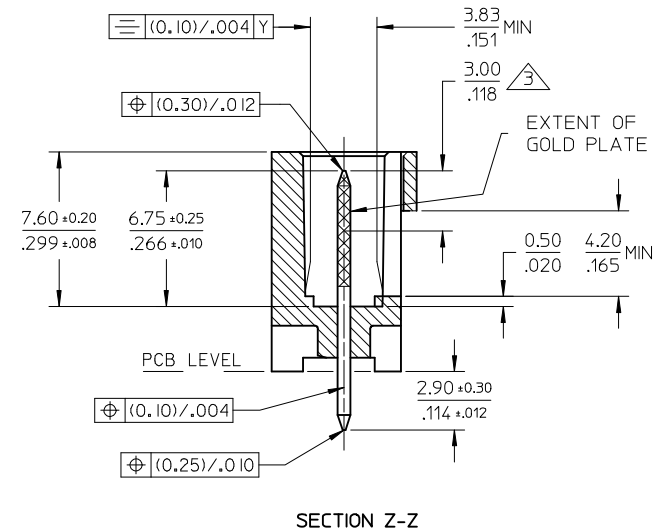
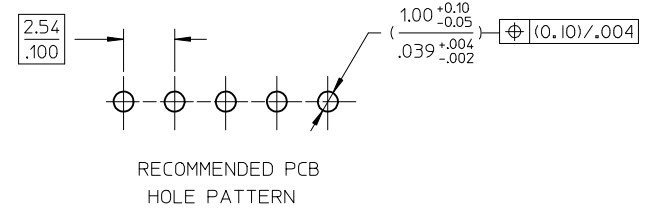
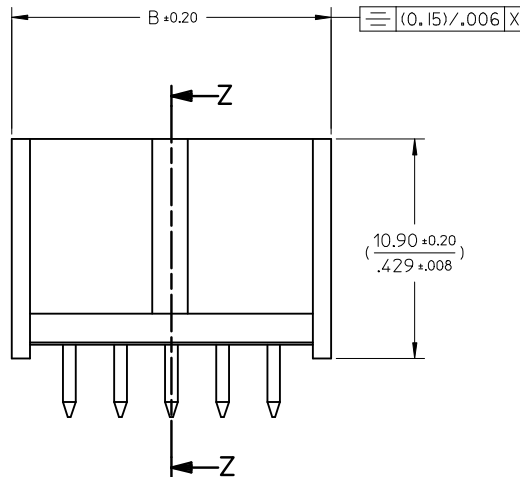
THROUGH HOLE VERSION (STRAIGHT ASSEMBLY)



1 TO 3 CIRCUITS



4 TO 32 CIRCUITS



SECTION Z-Z

NOTES :

1. MATERIALS :

- PIN : (0.650)/ .0255 SQ. BRASS WIRE.
- HOUSING : 15% GLASS FILLED POLYESTER
- UL 94V-0 COLOR BLACK

2. FOR PLATINGVERSIONS, SEE SHEET 2.

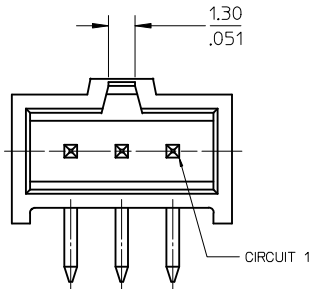
3. MEASUREMENT POINT FOR MINIMUM PLATING THICKNESS.

4. PRODUCT SPEC: PS-99020-0001

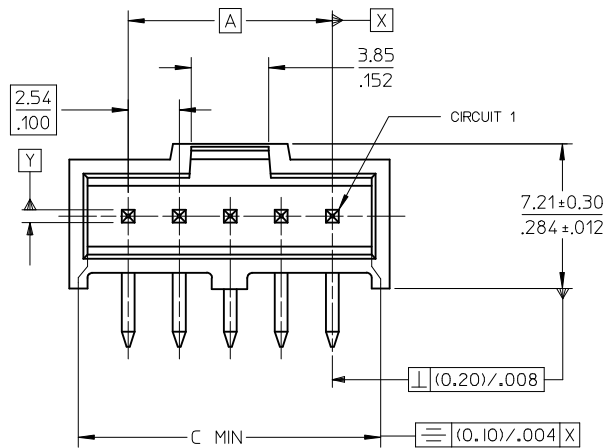
5. RECOMMENDED PCB THICKNESS 1.6mm

CORRECT TYPO ERROR EC NO: S2013-0197 DRWN:SKANG CH'KD:ATSEE APPR:MLONG	QUALITY SYMBOLS F=0 F=0 F=0	GENERAL TOLERANCES (UNLESS SPECIFIED)		DIMENSION STYLE MM/IN		SCALE NTS	DESIGN UNITS METRIC	THIRD ANGLE PROJECTION		
		4 PLACES ± --- ± ---	3 PLACES ± --- ± .004	2 PLACES ± 0.10 ± ---	1 PLACE ± --- ± ---	0 PLACE ± ±	DRAWN BY KS	DATE 1987/10/30	TITLE C-GRID III SINGLE ROW STRAIGHT SHROUDED HEADER	
		ANGULAR ±1/2°					CHECKED BY BENRIGTH	DATE 2002/08/15		
		DRAFT WHERE APPLICABLE MUST REMAIN WITHIN DIMENSIONS					APPROVED BY MLONG	DATE 2011/04/15	DOCUMENT NO. SDA-90136	
REV AD	DESCRIPTION REV	MATERIAL NO. SEE TABLE		THIS DRAWING CONTAINS INFORMATION THAT IS PROPRIETARY TO MOLEX INCORPORATED AND SHOULD NOT BE USED WITHOUT WRITTEN PERMISSION		SHEET NO. 1 OF 3				

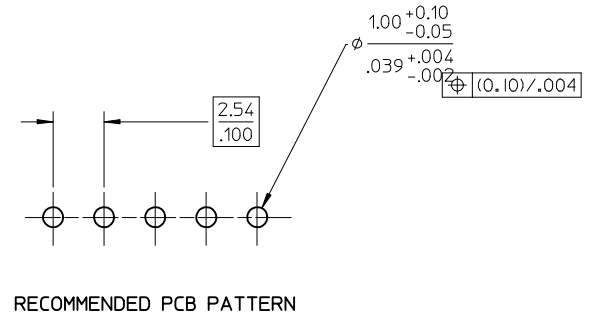
RIGHT ANGLE VERSION



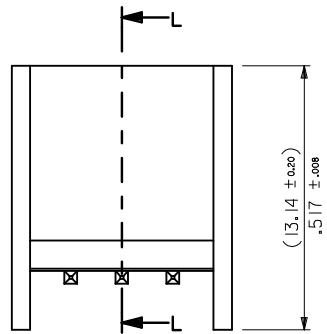
1 TO 3 CIRCUITS



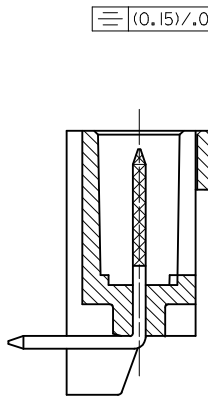
4 TO 32 CIRCUITS



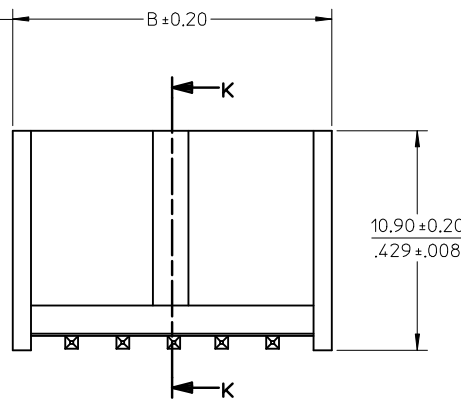
RECOMMENDED PCB PATTERN



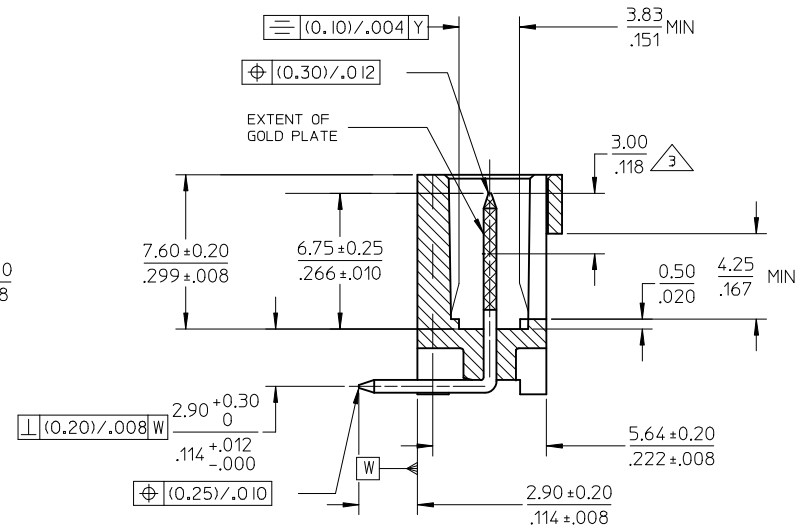
1 TO 6 CIRCUITS



SECTION L-L



7 TO 32 CIRCUITS



SECTION K-K

CORRECT TYPO ERROR IEC NO: S2013-0197 DRWN:SKANG 2012/10/08 CHYKD:ATSEE 2012/10/11 APPR:MLONG 2012/10/19	QUALITY SYMBOLS F _A =0 F _E =0 F _G =0	GENERAL TOLERANCES (UNLESS SPECIFIED)		DIMENSION STYLE MM/IN	SCALE NTS	DESIGN UNITS METRIC	THIRD ANGLE PROJECTION		
		4 PLACES ± --- ± --- 3 PLACES ± --- ± .004 2 PLACES ± 0.10 ± --- 1 PLACE ± --- ± --- 0 PLACE ± ±	mm INCH	DRAWN BY KS	DATE 1987/10/30	TITLE C-GRID III SINGLE ROW STRAIGHT SHROUDED HEADER			
		ANGULAR ±1/2° DRAFT WHERE APPLICABLE MUST REMAIN WITHIN DIMENSIONS		CHECKED BY BENRIGHT	DATE 2002/08/15	molex			
				APPROVED BY MLONG	DATE 2011/04/15	DOCUMENT NO. SDA-90136		SHEET NO. 2 OF 3	

	10	9	8	7	6	5	4	3	2	1
	CKTS	ASSEMBLY P/N	DIM A	DIM B	DIM C	NOTES				
	1	90136-**01	-	(5.89)/.232	(4.06)/.160	<p>6. FOR PLATING DETAILS SEE SDES 99000-0003</p> <p>90136 - X X X X INDICATES NO. OF CIRCUITS</p> <p>PLATING 1 - TYPE A 2 - TYPE E 3 - TYPE F 4 - TYPE G</p> <p>STYLE - 1 - STRAIGHT ASSEMBLY STYLE - 2 - RIGHT ANGLE ASSEMBLY STYLE - 5 - STRAIGHT ASSEMBLY WITH VOIDS STYLE - 7 - NON STANDARD PRODUCT</p> <p>7. PLATING TYPES</p> <p>1 - TYPE A TIN 3.0µm MIN. OVER 1.27 - 2.54µm NICKEL.</p> <p>2 - TYPE E GOLD STRIPE 0.38 - 0.64µm IN SELECTED AREA (2 SIDES) & 3.0µm MIN TIN IN SELECTED AREA OVER 1.3 - 1.78µm NICKEL OVERALL.</p> <p>3 - TYPE F GOLD STRIPE 0.762 - 1.02µm IN SELECTED AREA (2 SIDES) & 3.0µm MIN TIN IN SELECTED AREA OVER 1.3 - 1.78µm NICKEL OVERALL.</p> <p>4 - TYPE G SELECTIVE GOLD PLATE. GOLD FLASH 0.05 - 0.10µm IN SELECTED AREA AND 3.0µm MIN - 5.0µm MAX TIN IN SELECTED AREA OVER 1.3 - 2.5µm NICKEL OVERALL.</p>				
F	2	90136-**02	(2.54)/.100	(8.43)/.332	(6.60)/.260					
F	3	90136-**03	(5.08)/.200	(10.97)/.432	(9.14)/.360					
	4	90136-**04	(7.62)/.300	(13.51)/.532	(11.68)/.460					
	5	90136-**05	(10.16)/.400	(16.05)/.632	(14.22)/.560					
	6	90136-**06	(12.70)/.500	(18.59)/.732	(16.76)/.660					
	7	90136-**07	(15.24)/.600	(21.13)/.832	(19.30)/.760					
	8	90136-**08	(17.78)/.700	(23.67)/.932	(21.84)/.860					
	9	90136-**09	(20.32)/.800	(26.21)/1.032	(24.38)/.960					
E	10	90136-**10	(22.86)/.900	(28.75)/1.132	(26.92)/1.060					
E	11	90136-**11	(25.4)/1.000	(31.29)/1.232	(29.46)/1.160					
	12	90136-**12	(27.94)/1.100	(33.83)/1.332	(32.00)/1.260					
	13	90136-**13	(30.48)/1.200	(36.37)/1.432	(34.54)/1.360					
	14	90136-**14	(33.02)/1.300	(38.91)/1.532	(37.08)/1.460					
	15	90136-**15	(35.56)/1.400	(41.45)/1.632	(39.62)/1.560					
	16	90136-**16	(38.10)/1.500	(43.99)/1.732	(42.16)/1.660					
	17	90136-**17	(40.64)/1.600	(46.53)/1.832	(44.70)/1.760					
D	18	90136-**18	(43.18)/1.700	(49.07)/1.932	(47.24)/1.860					
D	19	90136-**19	(45.72)/1.800	(51.61)/2.032	(49.78)/1.960					
	20	90136-**20	(48.26)/1.900	(54.15)/2.132	(52.32)/2.060					
	21	90136-**21	(50.80)/2.000	(56.69)/2.232	(54.86)/2.160					
	22	90136-**22	(53.34)/2.100	(59.23)/2.332	(57.40)/2.260					
	23	90136-**23	(55.88)/2.200	(61.77)/2.432	(59.94)/2.360					
	24	90136-**24	(58.42)/2.300	(64.31)/2.532	(62.48)/2.460					
	25	90136-**25	(60.96)/2.400	(66.85)/2.632	(65.02)/2.560					
C	26	90136-**26	(63.50)/2.500	(69.39)/2.732	(67.56)/2.660					
C	27	90136-**27	(66.04)/2.600	(71.93)/2.832	(70.10)/2.760					
	28	90136-**28	(68.58)/2.700	(74.47)/2.932	(72.64)/2.860					
	29	90136-**29	(71.12)/2.800	(77.01)/3.032	(75.18)/2.960					
	30	90136-**30	(73.66)/2.900	(79.55)/3.132	(77.72)/3.060					
	31	90136-**31	(76.20)/3.000	(82.09)/3.232	(80.26)/3.160					
B	32	90136-**32	(78.74)/3.100	(84.63)/3.332	(82.80)/3.260					

B										
---	--	--	--	--	--	--	--	--	--	--

A	CORRECT TYPO ERROR EC NO: S2013-0197 DRWNSKANG 2012/10/08 CHKD:ATSEE 2012/10/11 APPR:MLONG 2012/10/19	DESCRIPTION REV	QUALITY SYMBOLS F _A =0 F _E =0 F _F =0	GENERAL TOLERANCES (UNLESS SPECIFIED)	DIMENSION STYLE MM/IN	SCALE NTS	DESIGN UNITS METRIC	THIRD ANGLE PROJECTION
				mm INCH	DRAWN BY KS	DATE 1987/10/30	TITLE C-GRID III SINGLE ROW STRAIGHT SHROUDED HEADER	
				4 PLACES ± --- ± --- 3 PLACES ± --- ± .004 2 PLACES ± 0.10 ± --- 1 PLACE ± --- ± --- 0 PLACE ± ±	CHECKED BY BENRIGHT	DATE 2002/08/15	molex	
				ANGULAR ±1/2° DRAFT WHERE APPLICABLE MUST REMAIN WITHIN DIMENSIONS	APPROVED BY MLONG	DATE 2011/04/15		DOCUMENT NO. SDA-90136
	AD	SIZE A3	THIS DRAWING CONTAINS INFORMATION THAT IS PROPRIETARY TO MOLEX INCORPORATED AND SHOULD NOT BE USED WITHOUT WRITTEN PERMISSION					