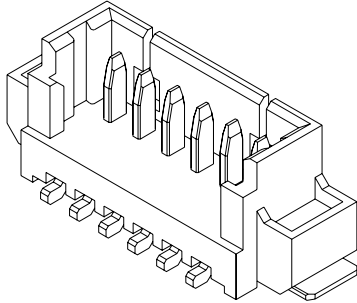


1.25mm (.049") Pitch PicoBlade™ Wire-to-Board Header

53398
Vertical, SMT



Features and Benefits

- Sizes 2 to 15 circuits
- Locking windows provide secure mating
- Fitting nails provide PCB hold-down and strain relief for SMT tails

Reference Information

Product Specification: PS-51021-024
Packaging: Embossed tape
Mates With: 51021
Designed In: Millimeters

Electrical

Voltage: 125V max.
Current: 1.0A max.
Contact Resistance: 20 milliohms max.
Dielectric Withstanding Voltage: 250V AC/1 min.
Insulation Resistance: 100 Megohms min.

Physical

Housing: Nylon, UL 94V-0
Contact: Phosphor Bronze
Plating: Tin over Nickel
Fitting Nails: Phosphor Bronze, Tin over Nickel plating

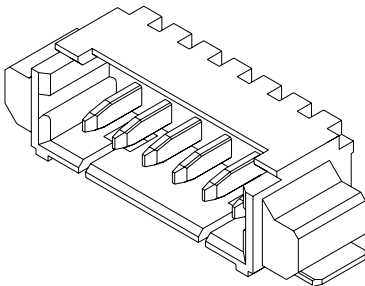
Circuits	Order No.	Lead-free
2	53398-0271	Yes
3	53398-0371	
4	53398-0471	
5	53398-0571	
6	53398-0671	
7	53398-0771	
8	53398-0871	

Circuits	Order No.	Lead-free
9	53398-0971	Yes
10	53398-1071	
11	53398-1171	
12	53398-1271	
13	53398-1371	
14	53398-1471	
15	53398-1571	

Note: 53398-XX84 is available with High-Barrier (moisture protection) packaging.

1.25mm (.049") Pitch PicoBlade™ Wire-to-Board Header

53261
Right Angle, SMT



Features and Benefits

- Sizes 2 to 15 circuits
- Locking windows provide secure mating
- Metal solder tabs provide PCB hold-down and strain relief for SMT tails

Reference Information

Product Specification: PS-51021-024
Packaging: Embossed tape
UL File No.: E29179
CSA File No.: LR19980
Mates With: 51021
Designed In: Millimeters

Electrical

Voltage: 125V max.
Current: 1.0A max.
Contact Resistance: 20 milliohms max.
Dielectric Withstanding Voltage: 250V AC/1 min.
Insulation Resistance: 100 Megohms min.

Physical

Housing: Nylon, UL 94V-0
Contact: Phosphor Bronze
Plating: Tin over Nickel
Fitting Nails: Phosphor Bronze, Tin over Nickel plating

Circuits	Order No.	Lead-free
2	53261-0271	Yes
3	53261-0371	
4	53261-0471	
5	53261-0571	
6	53261-0671	
7	53261-0771	
8	53261-0871	

Circuits	Order No.	Lead-free
9	53261-0971	Yes
10	53261-1071	
11	53261-1171	
12	53261-1271	
14	53261-1471	
15	53261-1571	