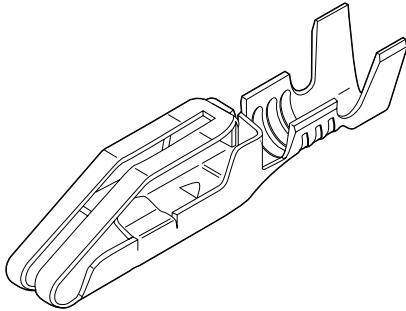


3.96mm (.156") Pitch Double-Sided Edge KK® Connector Terminals

4366 PC Crimp and Solder Eyelet



Features and Benefits

- Solder loop version available
- Anti-fishhooking feature prevents terminals from snagging
- Wire barrier prevents stripped wire from entering the contact area
- Coined outside edges prevent excess scoring of the solder pad surfaces
- Patented bifurcated contact area
- Anti-overstress feature

Reference Information

Packaging: Reel or bag
Use With: 4338
Designed In: Inches

Electrical

Voltage: 250V
Current: 5.0A
Contact Resistance: 20 milliohms max.
Dielectric Withstanding Voltage: 1500V
Insulation Resistance: 50,000 Megohms min.

Mechanical

Contact Retention to Housing: 8 lb min.
Wire Pull-Out Force: 20 lb for 18 AWG
(less for smaller wire)

Physical

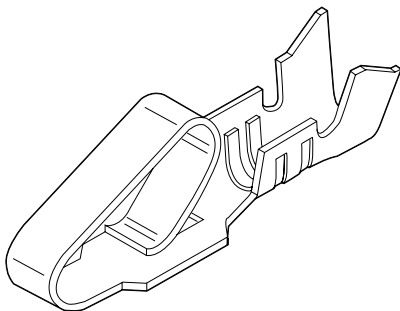
Contact: Brass
Plating: See Table

Order No.		Crimp Wire Size	Maximum Insulation Diameter	Engineering No.	Plating	Lead-free
Reel Form	Bag Form					
08-03-0303	08-03-0304	18-20	2.79 (.110)	4366	Tin	Yes
08-05-0301	08-05-0302			4366	Gold	

www.molex.com/product/kk/

3.96mm (.156") Pitch KK® Crimp Terminal

2478/2578



Features and Benefits

- Double cantilever design
- Single beam terminal is available for low insertion force 7821 Series (contact Molex)
- For low-level current and voltage, use Gold plating
- Phosphor Bronze is recommended for rated current
- Complete line of terminal crimping equipment available (see Application Tooling section of this catalog)

Reference Information

Product Specification: PS-08-50
Tooling Information: See crimp tooling section
UL File No.: E29179
CSA File No.: LR19980
Use With: 2139, 3069 and 41695

Electrical

Voltage: 250V AC max.
Current: Max.

AWG	18	20	22	24	26
Phosphor Bronze	7.00A	6.25A	5.50A	5.00A	4.50A
Brass	5.00A	4.75A	4.50A	4.25A	4.00A

Contact Resistance: 6 milliohms max.

Mechanical

Normal Force: 0.75kg (1.65 lb)
Durability: Tin—25 cycles
Gold—50 cycles

Order No.						Wire Size AWG	Insulation OD	Series	Material	Lead-free
Tin Plating		Gold Plating No. 1		Gold Plating No. 2						
Reel	Bag	Reel	Bag	Reel	Bag					
08-52-0071	08-52-0072	08-58-0121	08-58-0122	08-65-0114	08-65-0115	18-20	2.79 (.110)	max. 2478	Phosphor Bronze	Yes
08-50-0105	08-50-0106	08-56-0105	08-56-0106	08-55-0103	08-55-0104	18-20	2.79 (.110)	max. 2478	Brass	
08-50-0133	08-50-0134	08-58-0125	08-58-0126	08-65-0116	08-65-0117	22-26	1.65 (.065)	max. 2578	Phosphor Bronze	
08-50-0107	08-50-0108	08-56-0107	08-56-0108	08-55-0105	08-55-0106	22-26	1.65 (.065)	max. 2578	Brass	

Recommended wire range assumes stranded wire
Plating No. 1: 20µm min. Gold in contact area with a flash overall
Plating No. 2: 15µm min. Gold in contact area only