

FEATURES AND SPECIFICATIONS

Features and Benefits

- High current
- Low engagement force
- Wire-to-wire, wire-to-board
- Four points of electrical contact

Reference Information

Product Specification: PS-42815-0001
 Packaging: Reel
 UL File No.: E29179
 CSA File No.: LR19980
 TUV License No.: R9751144
 Use With: 42816 and 43914 receptacle housings
 Designed In: Millimeters

Electrical

Voltage: 600V
 Current: 50.0A max.*
 Contact Resistance: 1.5mΩ max.
 Dielectric Withstanding Voltage: 2200V
 Insulation Resistance: 1000 MΩ min.

Mechanical

Contact Insertion Force: 29.4N max.
 Contact Retention to Housing: 98.1N min.
 Wire Pull-Out Force: 12 AWG—304.0N
 Mating Force: 29.4N max.
 Unmating Force: 4.9N min.
 Normal Force: 1.96N min.
 Durability: 30 cycles

Physical

Contact: Copper Alloy, UL 94V-0
 Plating: Tin/Lead over Nickel
 Operating Temperature: -40 to +105°C
 Wire gauge: 8, 10, 12 AWG
 Insulation Diameter:
 10 to 12 AWG—3.50 to 5.50mm (.138 to .209")
 † 8 AWG—5.00 to 6.75mm (.197 to .266")

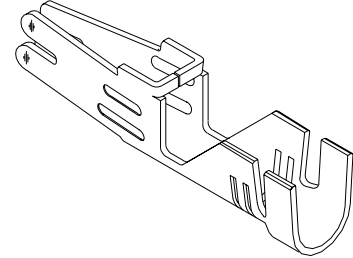
* Depending on circuit size, wire gauge and PCB. Please refer to product specification.

† Wire insulation not to be crimped and insulation grip area should be formed to certain wire strands only.

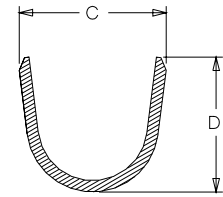
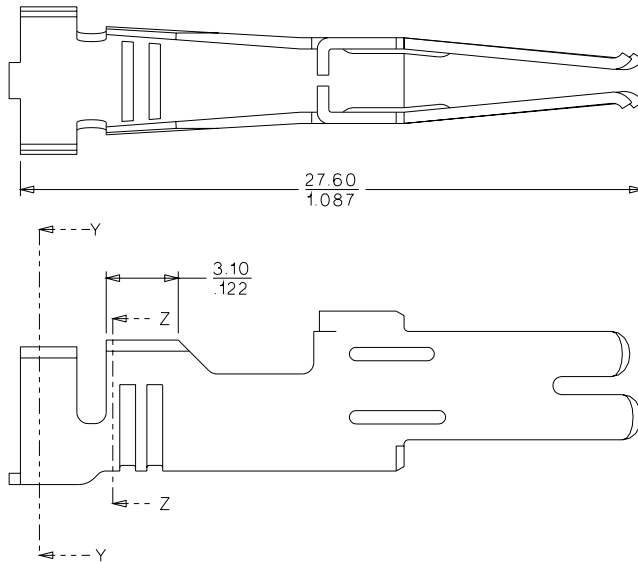


10.00mm (.393") Pitch Mini-Fit, Sr.™ Terminal

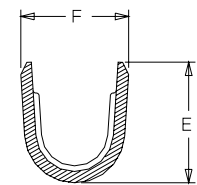
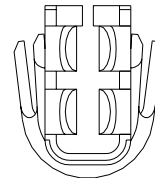
42815 Female



CATALOG DRAWING (FOR REFERENCE ONLY)



SECTION Y-Y



SECTION Z-Z

ORDERING INFORMATION AND DIMENSIONS

Order No.	Wire Size (AWG)	Dimension			
		C	D	E	F
42815-0011	12 and 10	5.90 (.232)	6.60 (.260)	6.10 (.240)	5.40 (.213)
42815-0031	8	6.00 (.236)	5.50 (.216)	7.42 (.292)	5.83 (.229)