

FEATURES AND SPECIFICATIONS

Features and Benefits

- Positive housing locks to mate with Mini-Fit, Jr. receptacles
- Fully isolated terminals to protect contacts from damage
- Mini-Fit, BMI connectors have the capability of being selectively loaded with longer pins for grounding

Reference Information

Product Specification: PS-5556-0002
 Packaging: Tray and bag
 UL File No.: E29179
 CSA File No.: LR19980
 TUV License No.: R75142
 Mates With: 42385, 42474 and 5557 dual row receptacles
 Use With: Standard Mini-Fit terminals
 Designed In: Millimeters

Electrical

Voltage: 600V
 Current: (Used with 16 AWG)

Circuits	2-3	4-6	7-10	12-24
Amperes-BMI	9	8	7	6

Contact Resistance: 10mΩ max.
 Dielectric Withstanding Voltage: 1500V
 Insulation Resistance: 1000 MΩ min.

Mechanical

Insertion Force to PCB: 5.0kg max.
 Mating Force: 0.7kg (1.54 lb) max.
 Unmating Force: 0.35kg (0.7 lb) min.
 Normal Force: 200g min.
 Durability: 30 cycles

Physical

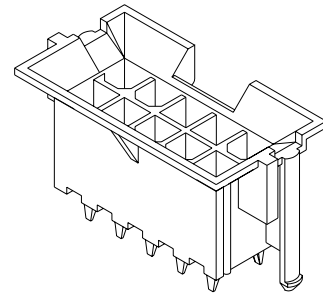
Housing: 6/6 nylon, UL 94V-2 or 94V-0
 Contact: Brass or Phosphor Bronze
 Plating: Tin, select Gold or overall Gold
 Operating Temperature: -40 to +105°C



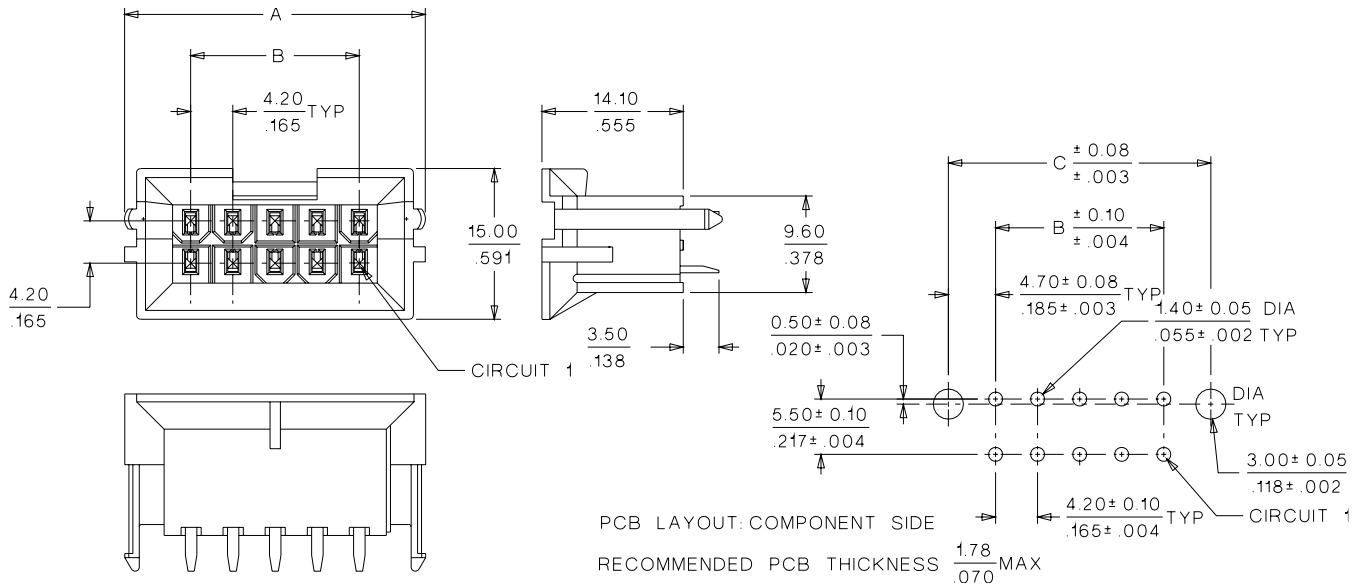
4.20mm (.165") Pitch Mini-Fit, BMI™ Header

42440

Vertical Dual Row



CATALOG DRAWING (FOR REFERENCE ONLY)



ORDERING INFORMATION AND DIMENSIONS

Circuits	With Drain Holes				Dimension		
	Order No.						
	Tin Plated		Gold Plated		A	B	C
4	15-24-6046	15-24-6047	15-28-6046	15-28-6047	17.40 (.685)	4.20 (.170)	13.60 (.535)
6	15-24-6066		15-28-6066		21.60 (.850)	8.40 (.330)	17.80 (.701)
10	15-24-6106	15-24-6107	15-28-6106	15-28-6107	30.00 (1.181)	16.80 (.660)	26.20 (1.031)
14	15-24-6146	15-24-6147	15-28-6146	15-28-6147	38.40 (1.512)	25.20 (.990)	34.60 (1.362)
18	15-24-6186	15-24-6187	15-28-6186	15-28-6187	46.80 (1.843)	33.60 (1.320)	43.00 (1.693)
24	15-24-6246	15-24-6247	15-28-6246	15-28-6247	59.40 (2.339)	46.20 (1.820)	55.60 (2.189)

• US Standard Product, available through Molex franchised distributors

Circuits	Without Drain Holes				Dimension		
	Order No.						
	Tin Plated		Gold Plated		A	B	C
4	15-24-6041	15-24-6042	15-28-6041	15-28-6042	17.40 (.685)	4.20 (.170)	13.60 (.535)
6					21.60 (.850)	8.40 (.330)	17.80 (.701)
10	15-24-6101	15-24-6102	15-28-6101	15-28-6102	30.00 (1.181)	16.80 (.660)	26.20 (1.031)
14	15-24-6141	15-24-6142	15-28-6141	15-28-6142	38.40 (1.512)	25.20 (.990)	34.60 (1.362)
16	15-24-6161		15-28-6161		42.60 (1.677)	29.40 (1.160)	38.80 (1.528)
18	15-24-6181	15-24-6182	15-28-6181	15-28-6182	46.80 (1.843)	33.60 (1.320)	43.00 (1.693)
24	15-24-6241	15-24-6242	15-28-6241	15-28-6242	59.40 (2.339)	46.20 (1.820)	55.60 (2.189)