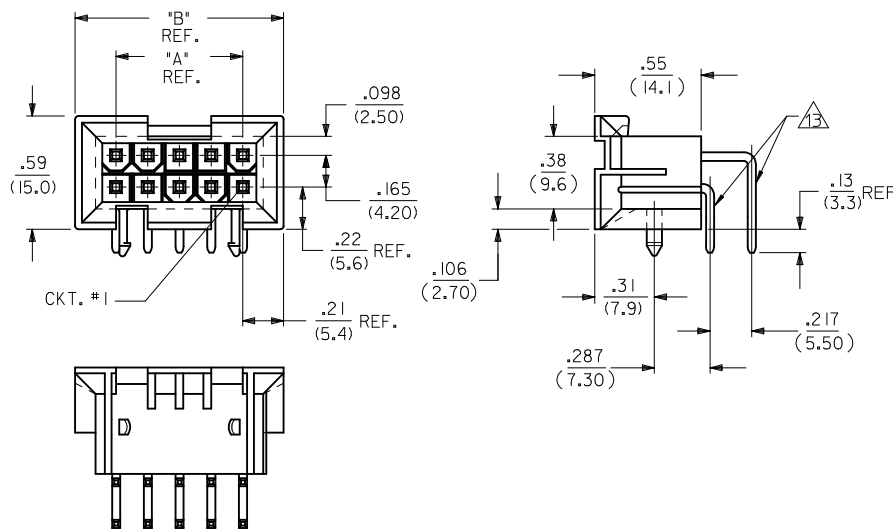
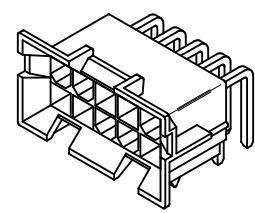


CIRCUIT SIZE	DIM. "A"	DIM. "B"
6	.331 (8.40)	.76 (19.2)
8	.496 (12.60)	.92 (23.4)
10	.661 (16.80)	1.09 (27.6)
12	.827 (21.00)	1.25 (31.8)
14	.992 (25.20)	1.42 (36.0)
16	1.157 (29.40)	1.58 (40.2)
18	1.323 (33.60)	1.75 (44.4)
20	1.488 (37.80)	1.91 (48.6)
22	1.654 (42.00)	2.08 (52.8)
24	1.819 (46.20)	2.24 (57.0)

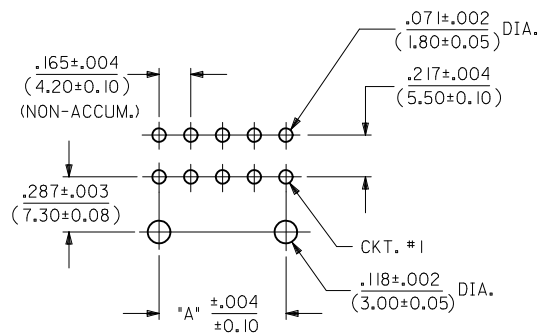


NOTES:

- MATERIAL: HOUSING: "A" = NYLON 6/6, U.L. 94V-2, COLOR: NATURAL. "B" = NYLON 6/6, U.L. 94V-0, COLOR: NATURAL. TERMINAL: BRASS ALLOY
 - TERMINAL PLATING:
 - .000100/(.00254) MIN. MATTE TIN OVER .000050/(.00127) MIN. NICKEL OVERALL.
 - .000030/(.00076) MIN. SELECT GOLD AND .000100/(.00254) MIN. SELECT MATTE TIN OVER .000050/(.00127) MIN. NICKEL OVERALL.
 - PRODUCT SPECIFICATION: PS-5556-002
 - PACKAGING SPECIFICATION: PK-42404-002.
 - 4-24 CKT. PARTS MATE WITH MINI-FIT JR. RECEPTACLES #5557, #42385, #44516 AND #42474. 2 CKT. PART MATES WITH #42385, #44516 AND #42474 ONLY.
 - PART ALLOWS FOR UP TO .100/(2.54) MISALIGNMENT WITH MATING RECEPTACLE IN ANY DIRECTION. SEE MATING CONNECTOR DRAWINGS FOR SPECIFIC ALLOWANCES.
 - CONNECTOR ASSEMBLIES ARE NOT TO BE MATED OR UNMATED WHILE CIRCUITS ARE LIVE.
 - A MAXIMUM TOLERANCE OF .050/(1.27) ALLOWS FOR 2 POINTS OF ELECTRICAL CONTACT. A MAXIMUM TOLERANCE OF .020/(.51) ALLOWS FOR 4 POINTS OF CONTACT.
 - DISCOLORATION IN THE BANDOLIER CARRIER AREA OF THE PIN IS INHERENT TO THE PLATING PROCESS AND IS DUE TO THE MASKING EFFECT OF THE CARRIER. THIS DISCOLORATION IS IN A NON-FUNCTIONAL AREA OF THE PIN AND WILL NOT AFFECT THE PERFORMANCE OF THE HEADER ASSEMBLY.
 - PART IS NOT DESIGNED FOR CURRENT SHARING.
 - PART IS NOT INTENDED TO PROVIDE ANY ALIGNMENT OF CUSTOMER COMPONENTS OR MODULES, SUCH AS POWER SUPPLIES AND CHASSIS.
 - PARTS CONFORM TO CLASS 'B' REQUIREMENTS OF COSMETIC SPECIFICATION PS-45499-002.
- △ FORMING MARKS ARE ACCEPTABLE.

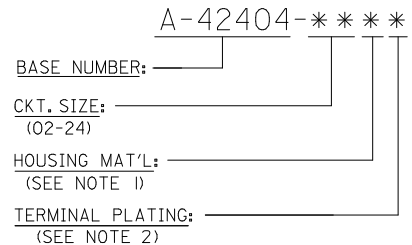


A-42404-****



RECOMMENDED HOLE LAYOUT FOR .070/(1.78) MAX. THICK P.C. BOARD VIEWED FROM COMPONENT SIDE

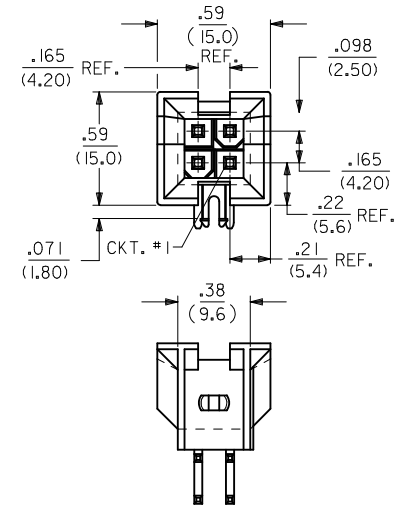
LEGEND:



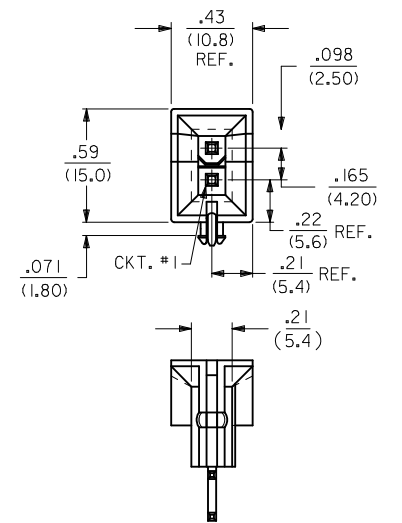
Part No.	Part Description	Quantity	Material	Plating
---B2, ---B4	42474-***2I, 5556-PBGS*P	94V-0	PHOS. BRZ.	GOLD
---A2, ---A4	42474-***1I, 5556-PBGS*P	94V-2		
---B1, ---B3	42474-***2I, 5556-PBS*P	94V-0		
---A1, ---A3	42474-***1I, 5556-PBS*P	94V-2	BRASS	GOLD
---B2, ---B4	42474-***2I, 5556-GS*P	94V-0		
---A2, ---A4	42474-***1I, 5556-GS*P	94V-2		
---B1, ---B3	42474-***2I, 5556-S*P	94V-0	PHOS. BRZ.	GOLD
---A1, ---A3	42474-***1I, 5556-S*P	94V-2		
---B2, ---B4	A-42385-***D2	94V-0		
---A2, ---A4	A-42385-***C2	94V-2	BRASS	GOLD
---B1, ---B3	A-42385-***D1	94V-0		
---A1, ---A3	A-42385-***C1	94V-2		
---B2, ---B4	A-42385-***B2	94V-0	PHOS. BRZ.	GOLD
---A2, ---A4	A-42385-***A2	94V-2		
---B1, ---B3	A-42385-***B1	94V-0		
---A1, ---A3	A-42385-***A1	94V-2	BRASS	GOLD
---B2, ---B4	A-42385-***B2	94V-0		
---A2, ---A4	A-42385-***A2	94V-2		
---B1, ---B3	A-42385-***B1	94V-0	PHOS. BRZ.	GOLD
---A1, ---A3	A-42385-***A1	94V-2		
---B2, ---B4	A-42385-***B2	94V-0		
---A2, ---A4	A-42385-***A2	94V-2	BRASS	GOLD
---B1, ---B3	A-42385-***B1	94V-0		
---A1, ---A3	A-42385-***A1	94V-2		

R.A. HEADER	MATING CONNECTOR	HSG. MAT'L.	TERM. MAT'L.	PLATING
A-42404				MATING CONNECTOR FEATURES

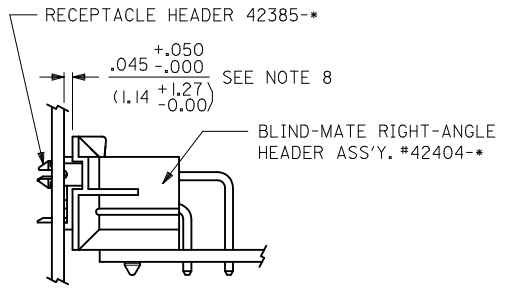
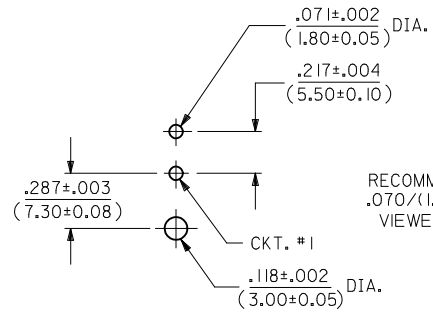
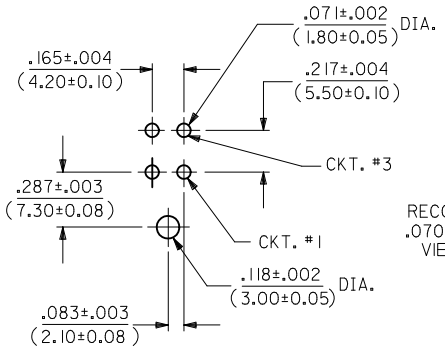
UPDATE NOTE 5 EC NO: UCP2012-2990 DRAWING: NGUYEN 2012/03/12 CHKD: J.BELL 2012/03/12 APPR: F.SMITH 2012/05/04	QUALITY SYMBOLS ▽=0 ▽=0 ▽=0	GENERAL TOLERANCES (UNLESS SPECIFIED)		DIMENSION STYLE IN/MM		SCALE	DESIGN UNITS	THIRD ANGLE PROJECTION		
		4 PLACES ± --- INCH 3 PLACES ± --- ±.010 2 PLACES ± 0.25 ±.015 1 PLACE ± 0.38 ± ---		DRAWN BY DATE RWK 2/7/89		TITLE	METRIC	MINI-FIT JR. 2-24 CKT RIGHT ANGLE HEADER ASSY (BLIND MATE)		
		ANGULAR ±1/2°		CHECKED BY DATE RJF 2/7/89		APPROVED BY DATE F.SMITH 2011/11/04				
		DRAFT WHERE APPLICABLE MUST REMAIN WITHIN DIMENSIONS		MATERIAL NO. SEE SHEET 3		DOCUMENT NO. SDA-42404-****		SHEET NO. 1 OF 3		THIS DRAWING CONTAINS INFORMATION THAT IS PROPRIETARY TO MOLEX INCORPORATED AND SHOULD NOT BE USED WITHOUT WRITTEN PERMISSION



A-42404-04**



A-42404-02**



SEE RECEPTACLE DRAWINGS FOR ADDITIONAL MATING CONFIGURATIONS

SEE SHEET 1 EC NO: UCP2012-2990 DRAWN: NGUYEN 2012/03/12 CHKD: BELL 2012/03/12 APPR: FSMITH 2012/05/04	QUALITY SYMBOLS ▽=0 ▽=0 ▽=0	GENERAL TOLERANCES (UNLESS SPECIFIED)		DIMENSION STYLE IN/MM		SCALE 2:1	DESIGN UNITS METRIC	THIRD ANGLE PROJECTION	
		mm		INCH		DRAWN BY RWK		DATE 2/7/89	
		4 PLACES ± --- ± ---		3 PLACES ± --- ± .010		CHECKED BY RJF		DATE 2/7/89	
		2 PLACES ± 0.25 ± .015		1 PLACE ± 0.38 ± ---		APPROVED BY FSMITH		DATE 2011/11/01	
ANGULAR ± 1/2°		DRAFT WHERE APPLICABLE MUST REMAIN WITHIN DIMENSIONS		SEE SHEET 3		MATERIAL NO. DOCUMENT NO.		SHEET NO. 2 OF 3	
THIS DRAWING CONTAINS INFORMATION THAT IS PROPRIETARY TO MOLEX INCORPORATED AND SHOULD NOT BE USED WITHOUT WRITTEN PERMISSION									

MINI-FIT JR. 2-24 CKT
RIGHT ANGLE HEADER ASSY
(BLIND MATE)

MOLEX INCORPORATED

SDA-42404-****

J	I	H	G	F	E	D	C	B	A

J	I	H	G	F	E	D	C	B	A

J	I	H	G	F	E	D	C	B	A

J	I	H	G	F	E	D	C	B	A

SEE SHEET 1 EC NO: UCP2012-2990 DRWNINGUYEN 2012/03/12 CHKD:JBELL 2012/03/12 APPR:FSM1TH 2012/05/04		QUALITY SYMBOLS 	GENERAL TOLERANCES (UNLESS SPECIFIED) <table border="1"> <tr> <th></th> <th>mm</th> <th>INCH</th> </tr> <tr> <td>4 PLACES</td> <td>± .---</td> <td>± .---</td> </tr> <tr> <td>3 PLACES</td> <td>± .---</td> <td>± .010</td> </tr> <tr> <td>2 PLACES</td> <td>± 0.25</td> <td>± .015</td> </tr> <tr> <td>1 PLACE</td> <td>± 0.38</td> <td>± .---</td> </tr> </table>		mm	INCH	4 PLACES	± .---	± .---	3 PLACES	± .---	± .010	2 PLACES	± 0.25	± .015	1 PLACE	± 0.38	± .---	DIMENSION STYLE IN/MM DRAWN BY: RWK DATE: 2/7/89 CHECKED BY: RJF DATE: 2/7/89 APPROVED BY: FSM1TH DATE: 2011/11/01 MATERIAL NO.	SCALE: 1:1 DESIGN UNITS: METRIC THIRD ANGLE PROJECTION 	MINI-FIT JR. 2-24 CKT RIGHT ANGLE HEADER ASSY (BLIND MATE) MOLEX INCORPORATED DOCUMENT NO. SDA-42404-**** SHEET NO. 3 OF 3
	mm	INCH																			
4 PLACES	± .---	± .---																			
3 PLACES	± .---	± .010																			
2 PLACES	± 0.25	± .015																			
1 PLACE	± 0.38	± .---																			
DRAFT WHERE APPLICABLE MUST REMAIN WITHIN DIMENSIONS SEE CHART THIS DRAWING CONTAINS INFORMATION THAT IS PROPRIETARY TO MOLEX INCORPORATED AND SHOULD NOT BE USED WITHOUT WRITTEN PERMISSION																					