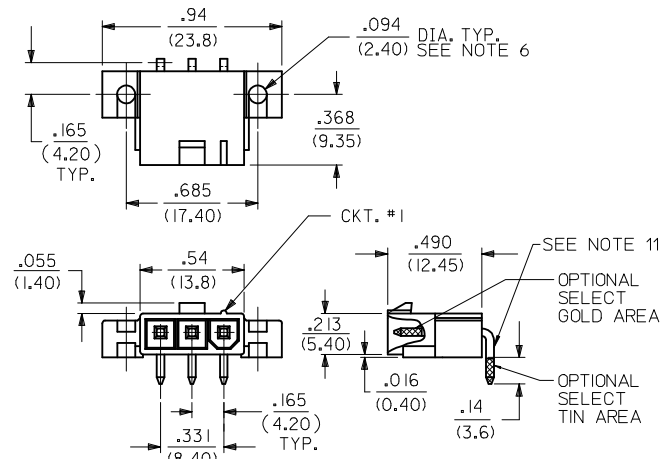
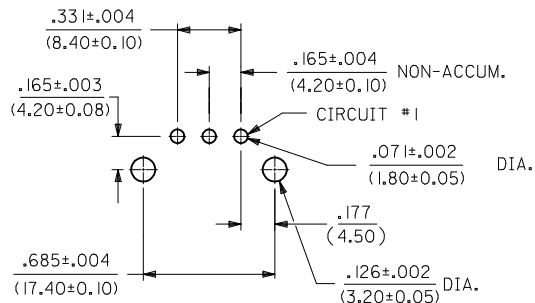


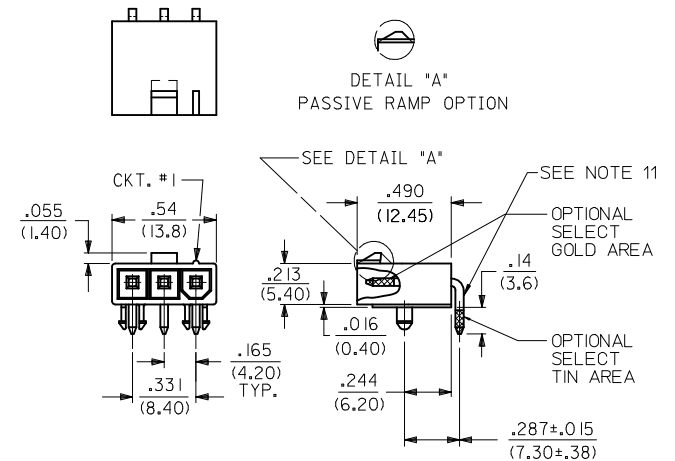
PART NUMBER	ENGINEERING NUMBER	MOUNT OPTION	PLATING	MAT'L.
39-31-1032	5569-03A4-BL	4	BLANK	BL
39-30-3031	5569-03A3	3	BLANK	BLANK
39-30-4039	5569-03A3GS2	3	15 GOLD	
39-30-3033	5569-03A3G	3	30 GOLD	
39-30-3035	5569-03A4	4	BLANK	
39-30-4033	5569-03A4GS2	4	15 GOLD	
39-30-3037	5569-03A4G	4	30 GOLD	BLANK
39-30-3032	5569-03A3-210	3	BLANK	210
39-30-5030	5569-03A3GS2-210	3	15 GOLD	
39-30-3034	5569-03A3G-210	3	30 GOLD	
39-30-3036	5569-03A4-210	4	BLANK	
39-30-4030	5569-03A4G2-210	4	15 GOLD	
39-30-3038	5569-03A4G-210	4	30 GOLD	210
NO E.D.P.	5569-03A5G	5	30 GOLD	BLANK
NO E.D.P.	5569-03A5MS	5	TIN/NICKEL	BLANK
NO E.D.P.	5569-03A5G-210	5	30 GOLD	210
39-34-3037	5569-03A5MS-210	5	TIN/NICKEL	210



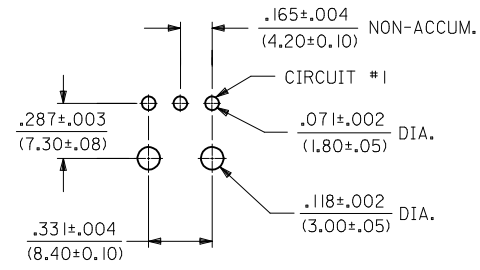
RIGHT ANGLE HEADER
(SCREW MOUNT)



RECOMMENDED HOLE LAYOUT FOR
.070/(1.78) MAX. THICK P.C. BOARD
VIEWED FROM COMPONENT SIDE



RIGHT ANGLE HEADER
(PEG MOUNT)



RECOMMENDED HOLE LAYOUT FOR
.070/(1.78) MAX. THICK P.C. BOARD
VIEWED FROM COMPONENT SIDE

NOTES:

1) HOUSING MATERIAL:

"BLANK" = NYLON 6/6, U.L. 94V-2, COLOR: NATURAL.
210 = NYLON 6/6, U.L. 94V-0, COLOR: NATURAL.
BL = NYLON 6/6, U.L. 94V-2, COLOR: BLACK.
TERMINAL MATERIAL: BRASS, ALLOY

2) TERMINAL PLATING:

"BLANK", MS - .000100/(0.00254) MIN. MATTE TIN OVER
.000050/(0.00127) MIN. NICKEL
G - .000030/(.00076) MIN. SELECT GOLD, .000100/(.00254)
MIN. SELECT MATTE TIN OVER .000050/(.00127) MIN.
NICKEL OVERALL.
G2,GS2 - .000015/(.00038) MIN. SELECT GOLD, .000100/(.0254)
MIN. SELECT MATTE TIN OVER .000050/(.00127) MIN.
NICKEL OVERALL.

3) PRODUCT SPECIFICATION: PS-5556-001

4) PACKAGING SPECIFICATION: PK-5569-002

5) PART MATES WITH MOLEX RECEPTACLE #5557.

6) PART IS DESIGNED FOR USE WITH 4 - 40 OR M3 SCREWS.

7) DISCOLORATION IN THE BANDOLIER CARRIER AREA OF THE PIN IS INHERENT TO THE PLATING PROCESS AND IS DUE TO THE MASKING EFFECT OF THE CARRIER. THIS DISCOLORATION IS IN A NON-FUNCTIONAL AREA OF THE PIN AND WILL NOT AFFECT THE PERFORMANCE OF THE HEADER ASSEMBLY.

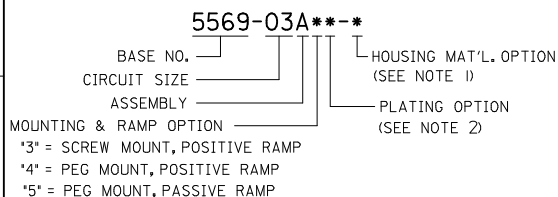
8) CONNECTORS ARE NOT TO BE MATED OR UNMATED WHILE CIRCUITS ARE LIVE.

9) PARTS ARE NOT DESIGNED FOR CURRENT SHARING.

10) PART CONFORMS TO CLASS "B" REQUIREMENTS OF "COSMETIC SPECIFICATION PS-45499-002."

11) FORMING MARKS ON PINS ARE ACCEPTABLE

LEGEND



REMOVED OBS P/N'S EC NO: UCP2013-1070 DRWN:BBEE 2012/09/17 CHKD:JBELL 2012/09/17 APPR:FSM/TH 2012/09/25	QUALITY SYMBOLS ▽=0 ▽=0 ▽=0	GENERAL TOLERANCES (UNLESS SPECIFIED)		DIMENSION STYLE IN/MM		SCALE	DESIGN UNITS METRIC	THIRD ANGLE PROJECTION	
		mm	INCH	DRAWN BY GEP	DATE 9/20/90	TITLE RIGHT ANGLE HEADER ASSY, 3 CKT., SINGLE ROW, MINI-FIT JR. SERIES	MATERIAL NO. SEE CHART	DOCUMENT NO. SDA-5569-03A**	SHEET NO. 1 OF 1
		4 PLACES ± .010	± .010	CHECKED BY RJF	DATE 9/20/90	MOLEX MOLEX INCORPORATED			
		3 PLACES ± .010	± .010	APPROVED BY RAS	DATE 9/20/90				
		2 PLACES ± 0.25	± .015						
		1 PLACE ± 0.38	± .015						
		ANGULAR ± 3°							
		DRAFT WHERE APPLICABLE MUST REMAIN WITHIN DIMENSIONS							