

10

9

8

7

6

5

4

3

2

1

F

E

D

C

B

A

F

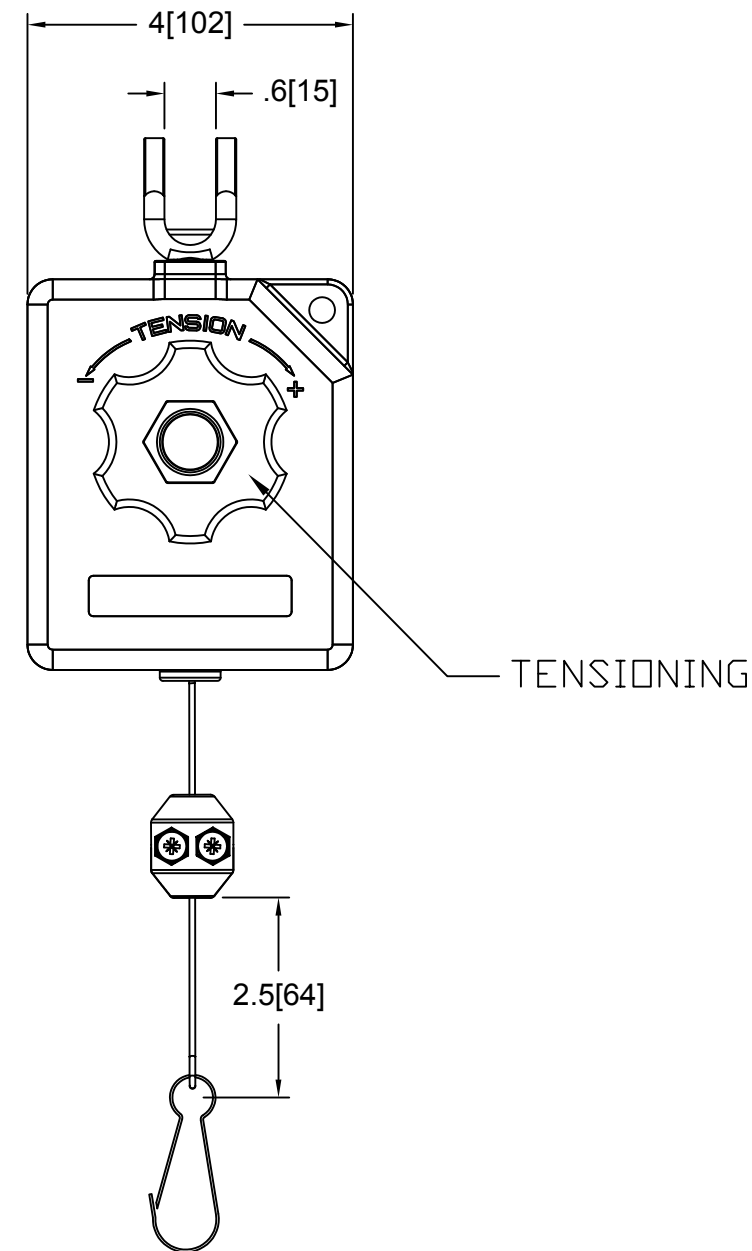
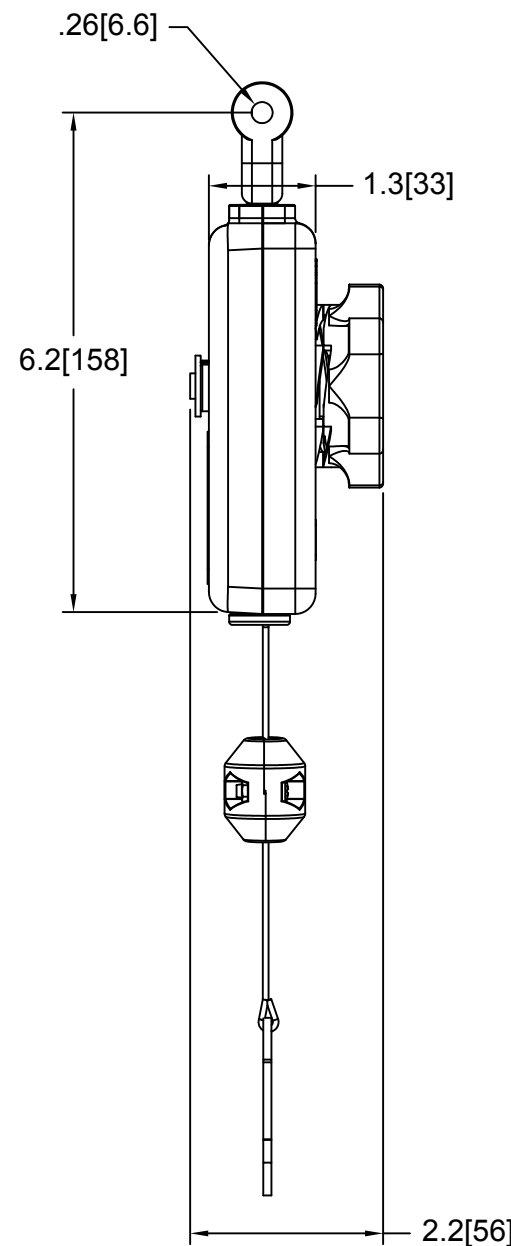
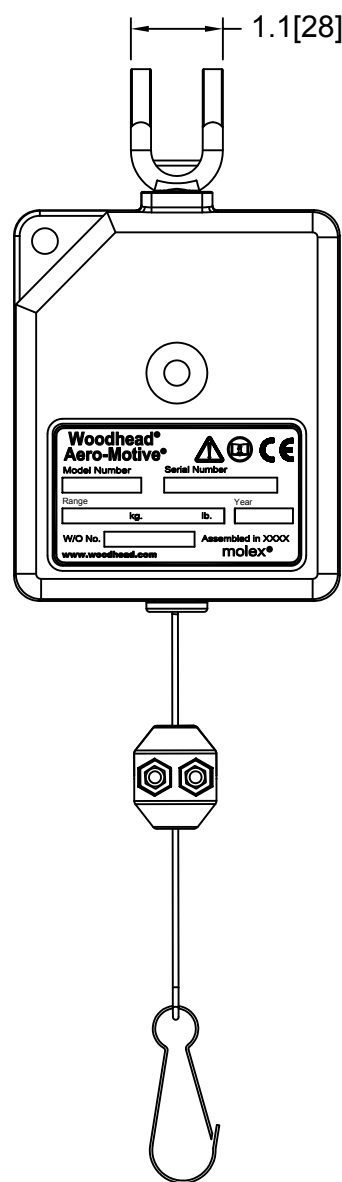
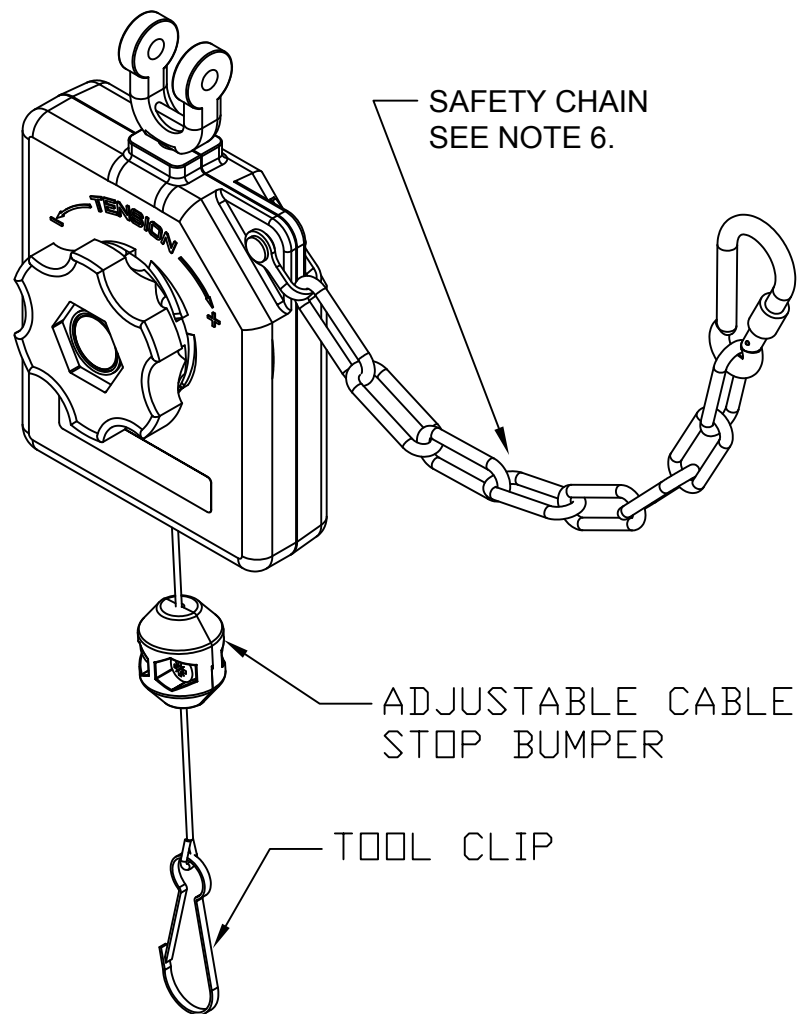
E

D

C

B

A



NOTES:

1. RETRACTORS ARE 100% INSPECTED & PRE-TENSIONED AT FACTORY.
2. HOUSINGS ARE MADE OF GENERAL PURPOSE ABS TO MEET HARSH INDUSTRIAL ENVIRONMENTS.
3. ALWAYS READ INSTRUCTIONS MANUAL BEFORE USING RETRACTORS.
4. RETRACTORS ARE NOT TO BE USED AS BALANCERS THEIR MAIN PURPOSE BEING TO RETRACT A LOAD AND NOT TO BALANCE ONE.
5. OVERALL DIMENSIONS ARE FOR REFERENCE ONLY.
6. STANDARD CATALOG RETRACTORS ARE NOT EQUIPED WITH SAFETY CHAIN, BUT IF APPLICATION REQUIRES A SAFETY CHAIN ADD "SC" SUFFIX TO STANDARD BALANCER P/N. EXAMPLE RB2SC. ON MAIN MATERIAL NUMBERS TABLE.
7. RETRACTORS COME WITH A CLEVIS PIN & A COTTER PIN

ALL DIMENSIONS ARE FOR REFERENCE ONLY.

RELEASE TO GSM EC NO: WNA2010-0605 DRWN: RHOTCA 2010/03/25 CHKD: DT APPR: DITITUS 2010/04/01	DESCRIPTION REV	<b>QUALITY SYMBOLS</b> ▽=0 ▽=0	<b>GENERAL TOLERANCES (UNLESS SPECIFIED)</b>		DIMENSION STYLE IN/MM		SCALE NTS	DESIGN UNITS INCH	THIRD ANGLE PROJECTION		
			mm	INCH	DRAWN BY	DATE	TITLE				
		4 PLACES	±	±	RHOTCA	2010/03/25	<b>RB" SERIES OF RETRACTORS</b> ---- <b>MOLEX INCORPORATED</b>				
		3 PLACES	±	±	CHECKED BY	DATE					
2 PLACES	±	±	DT	2010/03/25	APPROVED BY DATE DITITUS 2010/03/31						
1 PLACE	±	±	ANGULAR ±1°		MATERIAL NO.		DOCUMENT NO.		SHEET NO.		
DRAFT WHERE APPLICABLE MUST REMAIN WITHIN DIMENSIONS			SEE TABLE		SD-130173-001		1 OF 2		THIS DRAWING CONTAINS INFORMATION THAT IS PROPRIETARY TO MOLEX INCORPORATED AND SHOULD NOT BE USED WITHOUT WRITTEN PERMISSION		

10

9

8

7

6

5

4

3

2

1

10	9	8	7	6	5	4	3	2	1
----	---	---	---	---	---	---	---	---	---

Material Number:	Engineering Number:	Description:	Weight Range in (KG):	Cable Travel in (M):	Weight Range in (LB):	Cable Travel in (FT):	Color:
1301730036	RB2	RB2 RETRACTOR [0-2LB/0-0.9KG], 5.2FT	0 - 0.9	1.6	0 - 2.0	5.2	PUTTY
1301730048	RB4	RB4 RETRACTOR [2-4LB/0.9-1.8KG], 5.2FT	0.9 - 1.8	1.6	2.0-4.0	5.2	PUTTY
1301730043	RB2SC	RB2 RETRACTOR WITH SAFETY CHAIN	0 - 0.9	1.6	0 - 2.0	5.2	PUTTY
1301730050	RB4SC	RB4 RETRACTOR WITH SAFETY CHAIN	0.9 - 1.8	1.6	2.0-4.0	5.2	PUTTY
1301730037	RB210	RB210 RETRACTOR [0-2LB/0-0.9KG], 10FT	0 - 0.9	3.04	0 - 2.0	10.0	PUTTY



RELEASE TO GSM EC NO: WNA2010-0605 DRWN: RHOTCA 2010/03/25 CHKD: DT APPR: DITUS 2010/04/01	DESCRIPTION REV	<b>QUALITY SYMBOLS</b> =0 =0	<b>GENERAL TOLERANCES (UNLESS SPECIFIED)</b>		<b>DIMENSION STYLE</b> IN/MM		SCALE NTS	DESIGN UNITS INCH	THIRD ANGLE PROJECTION	
		4 PLACES ±- ±- 3 PLACES ±- ±- 2 PLACES ±- ±- 1 PLACE ±- ±-	mm INCH	DRAWN BY <b>RHOTCA</b>	DATE <b>2010/03/25</b>	TITLE <b>RB" SERIES OF RETRACTORS</b> ----				
		ANGULAR ±1°		CHECKED BY <b>DT</b>	DATE <b>2010/03/25</b>					
		<b>DRAFT WHERE APPLICABLE MUST REMAIN WITHIN DIMENSIONS</b>		APPROVED BY <b>DTITUS</b>	DATE <b>2010/03/31</b>	MATERIAL NO. <b>SEE TABLE</b>		<b>MOLEX INCORPORATED</b>		SHEET NO. <b>2 OF 2</b>
		SIZE <b>B</b>		THIS DRAWING CONTAINS INFORMATION THAT IS PROPRIETARY TO MOLEX INCORPORATED AND SHOULD NOT BE USED WITHOUT WRITTEN PERMISSION						

10	9	8	7	6	5	4	3	2	1
----	---	---	---	---	---	---	---	---	---