

FEATURES AND SPECIFICATIONS

Features and Benefits

- Sizes 2 to 15 circuits
- Standard with center locking ramp
- Locking windows secure terminal to housing
- Lead-in chamfer facilitates mating

Reference Information

Product Specification: PS-87437

Packaging: Bag

UL File No.: E29179

CSA File No.: LR19980A

Mates With: 87437 and 87438 headers

Use With: 87421 crimp terminal

Designed In: Millimeters

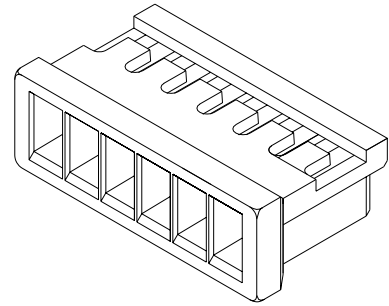
Physical

Housing: Glass-filled 6/6 nylon, UL 94V-0

Operating Temperature: -25 to +85°C

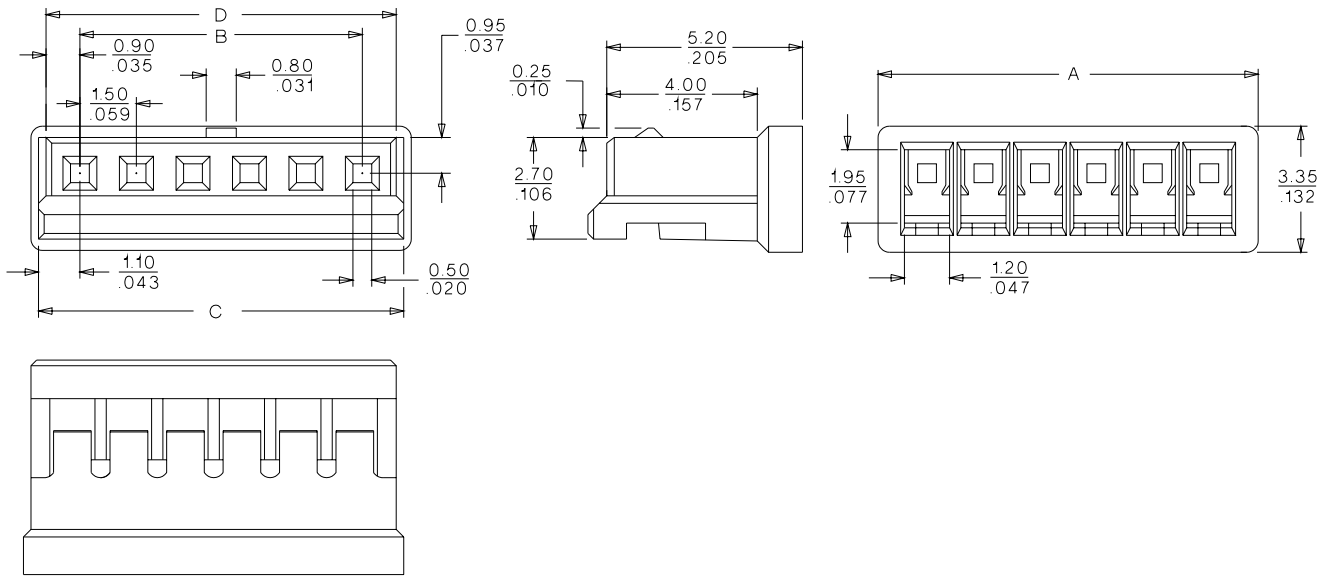
molex® 1.50mm (.059") Pitch Wire-to-Board Housing

87439



0.40 to 1.60mm (.016 to .063") Pitch

CATALOG DRAWING (FOR REFERENCE ONLY)



ORDERING INFORMATION AND DIMENSIONS

Circuits	Order No.	Dimension			
		A	B	C	D
2	87439-0200	4.10 (.161)	1.50 (.059)	3.70 (.145)	3.30 (.129)
3	87439-0300	5.60 (.220)	3.00 (.118)	5.20 (.204)	4.80 (.188)
4	87439-0400	7.10 (.279)	4.50 (.177)	6.70 (.263)	6.30 (.248)
5	87439-0500	8.60 (.338)	6.00 (.236)	8.20 (.322)	7.80 (.307)
6	87439-0600	10.10 (.397)	7.50 (.295)	9.70 (.381)	9.30 (.366)
7	87439-0700	11.60 (.456)	9.00 (.354)	11.20 (.440)	10.80 (.425)
8	87439-0800	13.10 (.515)	10.50 (.413)	12.70 (.499)	12.30 (.484)
9	87439-0900	14.60 (.574)	12.00 (.472)	14.20 (.559)	13.80 (.543)
10	87439-1000	16.10 (.633)	13.50 (.531)	15.70 (.618)	15.30 (.602)
11	87439-1100	17.60 (.692)	15.00 (.590)	17.20 (.677)	16.80 (.661)
12	87439-1200	19.10 (.751)	16.50 (.649)	18.70 (.736)	18.30 (.720)
13	87439-1300	20.60 (.811)	18.00 (.708)	20.20 (.795)	19.80 (.779)
14	87439-1400	22.10 (.870)	19.50 (.767)	21.70 (.854)	21.30 (.838)
15	87439-1500	23.60 (.929)	21.00 (.826)	23.20 (.913)	22.80 (.897)