

Plug-in Screw Connector System for Printed Circuit Boards

115-F-111 | 5.00 mm (0.197 in) Spacing - 2-12 poles

PICTURES



115-F-111



115-F-111 & 971-SLK

TECHNICAL INFORMATION

Description

The 115-F-111 is part of the plug-in screw connector family with an elevator style clamping mechanism. It was developed as an alternative to 950-FL-DS connector types.

The 115-F-111...-1.1-BA is a low profile version that makes applications in flat housings possible. The footprint is designed towards making a perfect match with 971-SL pinstrips.

Plug

Low profile

Solid version

Elevator Style Clamping mechanism

NOTE: CAN BE PLUGGED WITH 1.1 mm PIN DIAMETER ONLY. The plastic housing has a black color.

Technical Data

Center to Center Spacing: 5.000 mm (0.197 in)

Nominal Cross Section: 2.1 mm² (3255 mils²)

Wire Stripping Length: 6.500 mm (0.256 in)

Bill of Materials

Molding : Polyamide, Self extinguishing UL 94, V-0

Color : Black

Temperature limits :

Short Time : 140°C (284°F)

Continuous : 105°C (221°F)

Low Limit : -40°C (-40°F)

Comparative Tracking Index : CTI ? 600 V

Oxygen Index Rating : 32 %



Terminal Body: Nickel plated copper alloy

Contact Spring: Tin plated copper alloy

Screw: Zinc plated blue passivated or tin plated M3

APPROVAL INFORMATION

UL File No. E69841 | CSA File No. LR24322

Type	Current (A)	Voltage (V)	Application Group	AWG	Screw Tightening Torque
 115-F-111	12	300	B	26-14	2.0 lbfin
5.0 mm	10	300	D	26-14	2.0 lbfin
 115-F-111	12	300	B	26-14	0.22 lbfin
5.0 mm	10	300	D,E	26-14	0.22 lbfin

International Approval Information

Rated Impulse Withstand Voltage : 2500 V

PLUGGING PARTS

Plug-In Direction Perpendicular to PCB and Wire Entrance Parallel to PCB



TYPE 971-SLR
5.00 mm spacing - 2-24 poles



TYPE 971-SLR-SMD
5.00 mm spacing - 2-12 poles

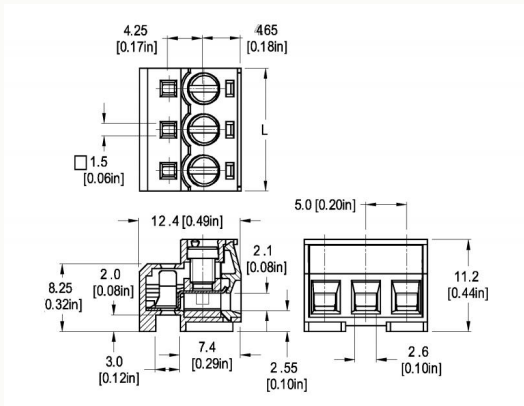


TYPE 971-SLR-THR-1.1
5.00 mm spacing - 2-12 poles



TYPE 971-SLT-SMD
5.00 mm spacing - 2-12 poles

TECHNICAL DRAWING



Description :

SECTION A - SERIES 115-F**Terminal Blocks for Printed Circuit Boards**

115-F series are plug terminal blocks. Wire clamping is obtained by elevating the terminal body while tightening the screw. It's developed as an alternative to type 950-NLFL-DS and 950-FL-DS. The low-profile enables use in flat housings.

Three different types within the series 115-F offer numerous applications: The 115-F-111 can be mounted on a pin strip. The 115-F-211 has a footprint which is mounted to a slot in the base plate by means of a locking foot. The 115-F-118 has ribs on each side, which work together with snap-in locking devices of the housing, where it has to be fixed. Usually the last two mentioned parts are connected with plug-in pins from above. They can be plugged with the terminal pinstrips from the 971-SL, and 950-SL series.

Types 115-F-xxx/xx can be plugged with pin diameter 1.3 mm only. The plastic housing has a grey color.

Types 115-F-xxx/xx-1.1-BA can be plugged with pin diameter 1.1 mm only. The plastic housing has a black color. This type has a different contact spring. The other parts are the same.