

Multi-Point Tab and Screw Connectors for Panel / Chassis Mounting

3070-PCM | 11.00 mm (0.433 in) Spacing - 1-21 poles

PICTURES



TECHNICAL INFORMATION

Description

Recommended mounting hardware: M4 pan head screw (#8-32 pan head screw) or similar sized sheet metal screw, self-tapping screw or rivet.

Technical Data

Center to Center Spacing: 11.000 mm (0.433 in)

Nominal Cross Section: 2.8 mm² (4340 mils²)

Wire Stripping Length: 8.000 mm (0.315 in)

Bill of Materials

Molding : Polycarbonate, Self extinguishing UL 94, V-0

Color : Grey

Temperature limits :

Short Time : 135°C (275°F)

Continuous : 105°C (221°F)

Low Limit : -100°C (-148°F)

Comparative Tracking Index : CTI ? 400 V

Oxygen Index Rating : 40 %

Terminal Body and Tabs: Nickel plated copper alloy

Screw and Pressure Plate: Slotted head, zinc plated blue passivated, steel substrate



Rivet: Tin plated copper alloy

Tabs: 2.8 mm (0.110 in.), 4.8 mm (0.187 in.) or 6.3 mm (0.250 in.)

Screw: M4

APPROVAL INFORMATION

UL File No. E69841 | CSA File No. LR24322

Type	Current (A)	Voltage (V)	Application Group	AWG	Screw Tightening Torque
 3070-PCM 11.0 mm	25	300	B, C	12 max.	10.0 lbfin
 3070-PCM 11.0 mm	25	300	B, C, D, E	18-14	1.2 lbfin

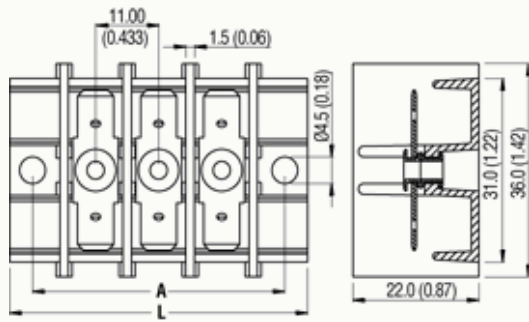
4.8 mm tab versions are UL certified for 15 A.

International Approval Information



Rated Impulse Withstand Voltage : 4000 V

TECHNICAL DRAWING



Description :

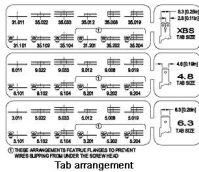
Length of Connector (L)

$L = \text{No. of Poles} \times \text{Center to Center Spacing} + 19 \text{ mm}$

Distance between mounting hole centers (A)

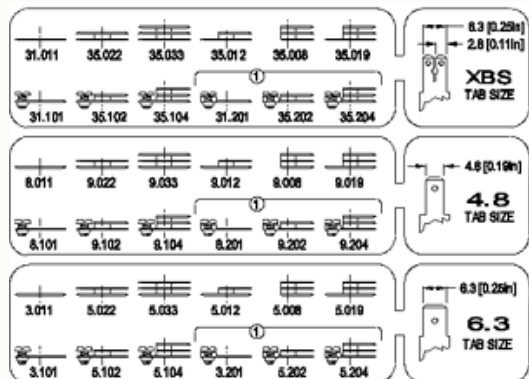
$A = \text{No. of Poles} \times \text{Center to Center Spacing} + 11 \text{ mm}$

Description :



Tab arrangement

SCHEMAS

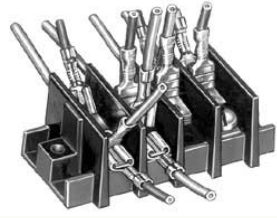


① THESE ARRANGEMENTS FEATRUUE FLANGES TO PREVENT WIRES SLIPPING FROM UNDER THE SCREW HEAD

Tab arrangement

Description :

(1) These arrangements feature flanges to prevent wires slipping from under the screw head

SECTION D - SERIES 307-PCM AND SERIES 3070-PCM**Tab and Solder Connectors for Panel / Chassis Mounting**

This series of multi-point tab and screw connectors provides the designer with a connection system of great versatility. The 307 and 3070 series provide up to 21 positions, 3 choices of tab widths and a wide variety of tab configurations. Different tab arrangements can be specified for each pole.

The type 307 can be provided with a variety of multi-directional tabs the type 3070's tab combinations are parallel to the base. The multi-angled 307 allows the use of insulated female quick-ons whereas the parallel tab 3070 does not allow the use of insulated quick-on due to space limitations.

Each product has a "How To Order" area as well as a complete listing of UL and CSA approval specifications, available options and accessories.