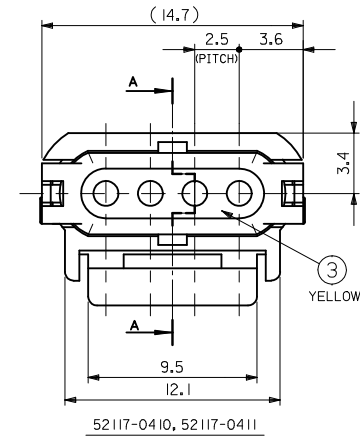
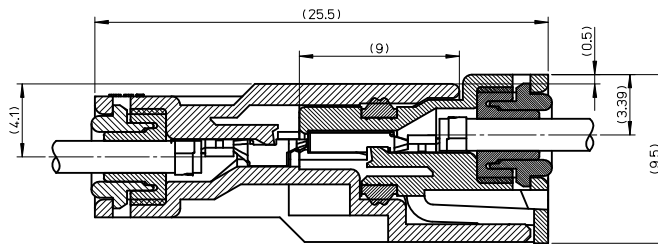
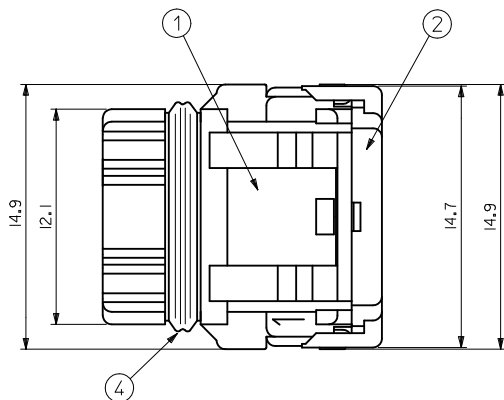


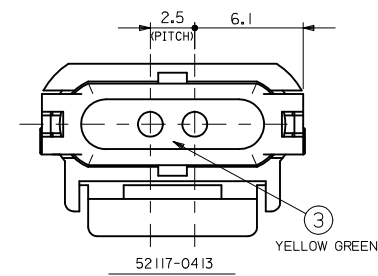
端子装着時の断面 A-A
SECTION A-A TERMINAL ASSEMBLY DRAWING



52117-0410, 52117-0411



嵌合状態図
FULLY MATED CONDITION



52117-0413

注記
NOTE

- 適合端子: 50039-8*00
APPLICABLE TERMINAL: 50039-8*00
- 嵌合相手: 52116-041*
MATES WITH: 52116-041*
- 製品仕様書: PS-52117-007
PRODUCT SPECIFICATION: PS-52117-007
- 取扱説明書: AS-52117-001
APPLICATION SPECIFICATION: AS-52117-001
- ELV及RoHS適合品
ELV AND RoHS COMPLIANT

黒 BLACK	52117-0413	2
黒 BLACK	52117-0411	4
白 WHITE	52117-0410	4
色 COLOR	MATERIAL NO.	極数 CKT

構成部品 COMPONENTS	色 COLOR	名称 TITLE	④
シリコンゴム SILICONE	黄 YELLOW	RING SEAL	④
シリコンゴム SILICONE	図参照 SEE DRAWING	WIRE END SEAL	③
ポリエステル POLYESTER (15%G.F.)	表参照 SEE CHART	CAP	②
ポリエステル POLYESTER (15%G.F.)	表参照 SEE CHART	REC. HOUSING	①

REVISED EC NO: JTR2012-0067 2012/02/01 DRAWN: INAKA CHKD: SANDO 2012/02/01 APPR: MAYAMOTO 2012/02/02	GENERAL TOLERANCES (UNLESS SPECIFIED)	DIMENSION STYLE MM ONLY	SCALE 5:1	DESIGN UNITS METRIC	THIRD ANGLE PROJECTION
	10 UNDER ±0.2	DRAWN BY Y. ASHIZAWA	DATE 1988/07/12	TITLE 2.5 WATERPROOF CONN. REC. HSG ASSY W/POSITIVE LOCK	
	10 OVER 30 UNDER ±0.25	CHECKED BY M. SAKANO	DATE 1994/04/12	MOLEX INCORPORATED	
	30 OVER ±0.3	APPROVED BY MAYAMOTO	DATE 2012/01/18	SD-52117-002	
ANGULAR ±3 °	DRAFT WHERE APPLICABLE MUST REMAIN WITHIN DIMENSIONS		SEE CHART		SHEET NO. 1 OF 1
SIZE A2		THIS DRAWING CONTAINS INFORMATION THAT IS PROPRIETARY TO MOLEX INCORPORATED AND SHOULD NOT BE USED WITHOUT WRITTEN PERMISSION			