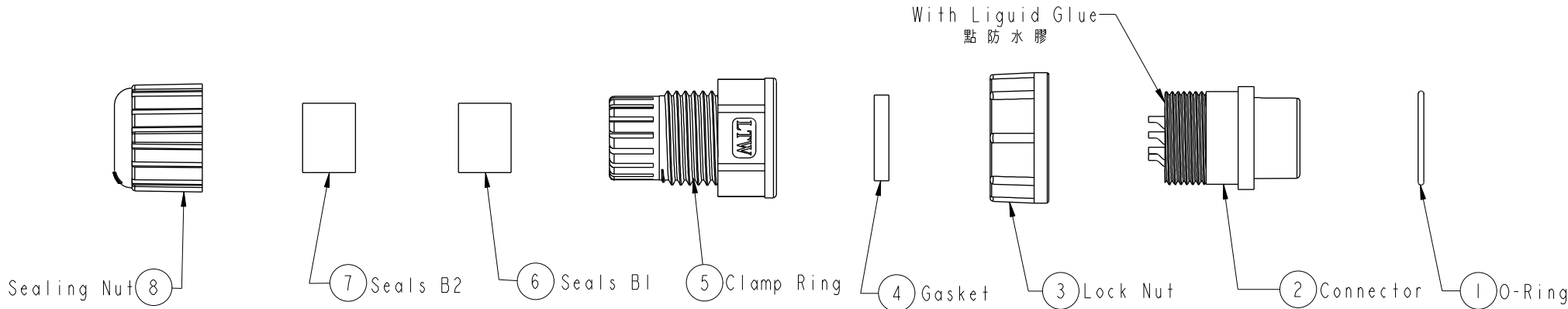
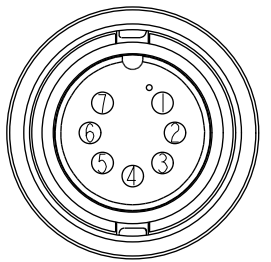


THIS DOCUMENT IS SUBJECT TO CHANGE WITHOUT NOTICE. IT IS CONFIDENTIAL AND A PROPERTY OF AMPHENOL LTW. DISCLOSURE TO THIRD PARTY HAS TO BE AUTHORIZED BY AMPHENOL LTW.

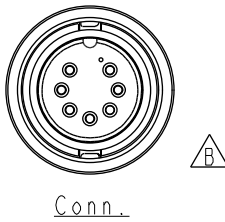
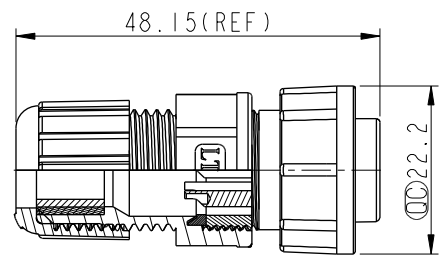
REV.	ECN NO.	DATE	SIGN	DESCRIPTION
B	LEN-0C0090	2010/11/23	IVNA	Change View
C	LEN1260007	2012/05/30	Vicky	Modify Note.



**ALTW**  
**CONFIDENTIAL**  
 2012-06-04  
**R&D DEPT.**



Pin Assignments  
Front View



- Note:
- \*  $\varnothing$  Important Dimension To Check.
  - \* Waterproof Rate: IP67
  - \* Housing: Nylon+GF, Black.
  - \* Female Pin: Copper Alloy, Gold Plated.
  - \* O-Ring: EPDM, Black.
  - \* Lock Nut: Nylon+GF, Black.
  - \*  $\triangle C$  \* Gasket: Silicone, Black.
  - \*  $\triangle C$  \* Seals: EPDM, Black.
  - \* Clamp Ring: Nylon, Black.
  - \* Sealing Nut: Nylon, Black.
  - \* Seals B1 for Cable OD:  $\varnothing 7.6\text{mm} \sim \varnothing 9.6\text{mm}$
  - \* Seals B2 for Cable OD:  $\varnothing 4.0\text{mm} \sim \varnothing 7.6\text{mm}$
  - \* One Set Unassembled In One PE Bag.

UNIT: mm TOLERANCE .X $\pm 0.25$ .XX $\pm 0.1$ .XXX $\pm 0.05$ ANGLES $\pm 1^\circ$	  	TITLE Middle, Assy Lock 7Pin F Conn F Pin		<h2 style="text-align: center;">Amphenol LTW</h2> <p style="text-align: center;">安費諾亮泰企業股份有限公司</p>		ITEM NO CD-07BFFA-LL7001	DRAWN BY SamChang	DATE 2012-04-10	
		SCALE 1:1	SIZE A4			SHEET 1 OF 1	DWG NO CD-07BFFA-LL7001	CHECKED BY Vicky	DATE 2012-06-04
		REV. C	WC-REV. A.3			$\varnothing$ Inspection item	CUSTOMER ALTW	APPROVED BY Lion	DATE 2012-06-04