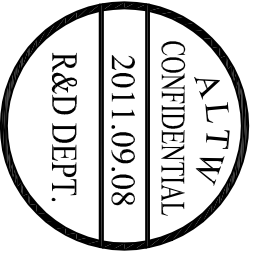
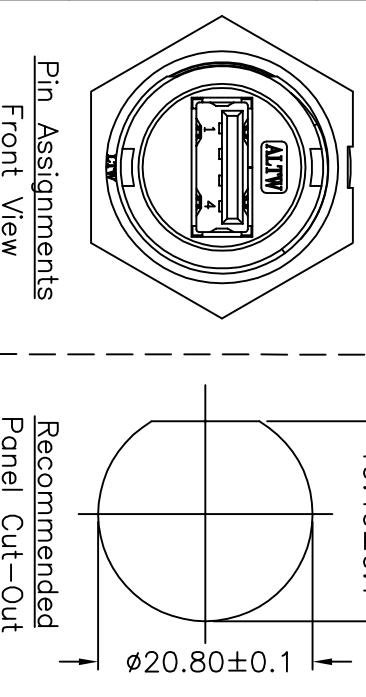
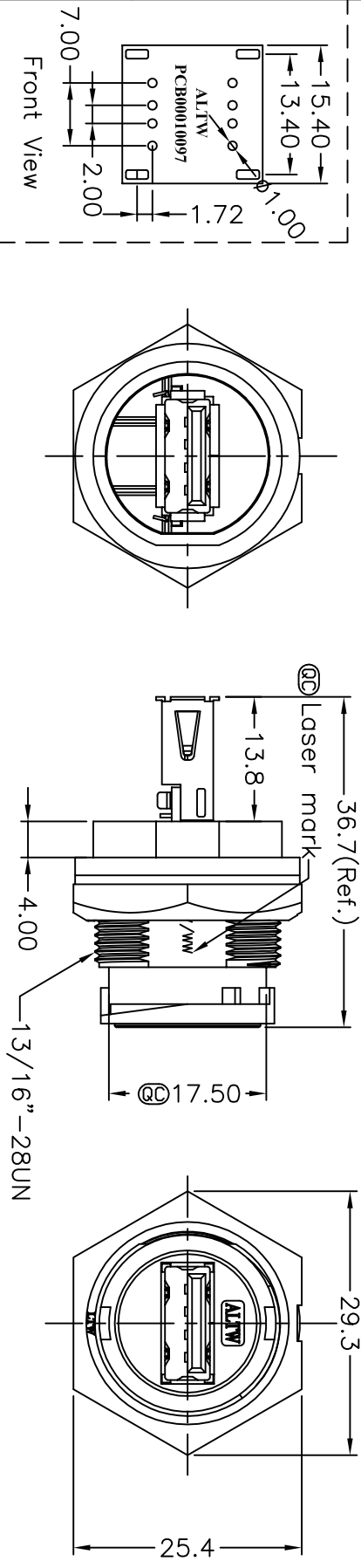
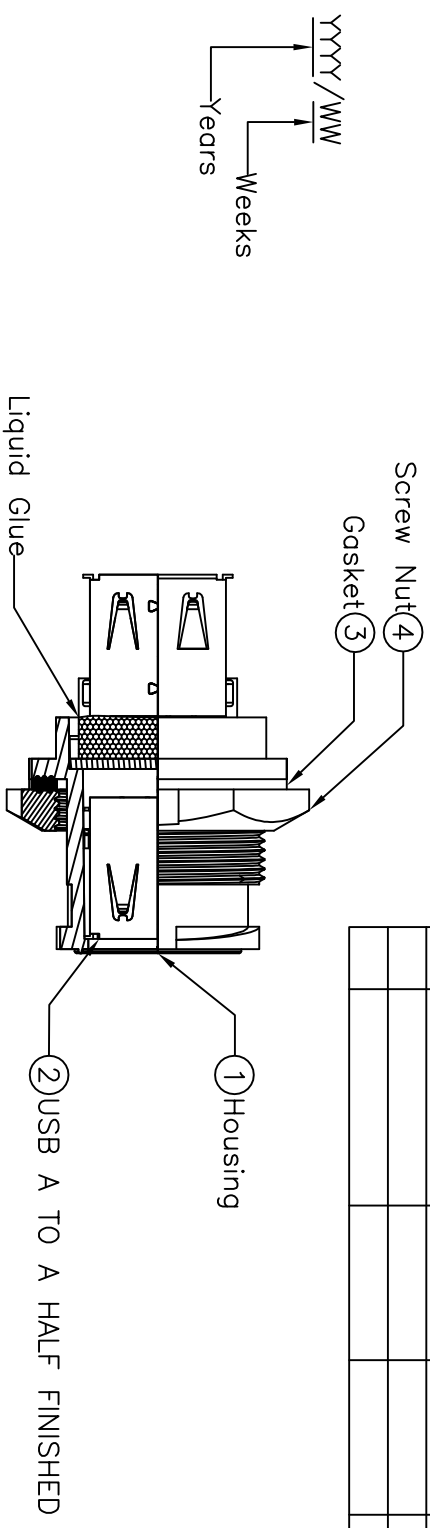
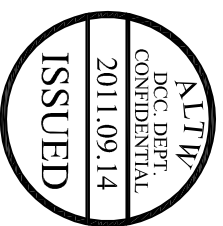


REV.	EGN NO.	DATE	SIGN	DESCRIPTION

YYYY/WW
 ↓
 Years Weeks



Note:
 * @Important Dimension.
 * Waterproof Rate: IP67
 * Connector: M-PPE, Black
 * USB A type: Female 90°PCB, Gold Plated
 * Gasket: Silicone, Gray
 * Screw Nut: M-PPE, Black
 * Use with waterproof cap or dust cap
 For Panel Thickness Max: 2.8mm
 * Use without waterproof cap or dust cap
 For Panel Thickness Max: 4.0mm

UNIT:mm	TITLE	SCALE		SHEET	OF
TOLERANCE	USB A TO A JACK PANEL	F:G0	SIZE	1	1
X ±0.25		A4			
XX ±0.1					
XXX ±0.05					
ANGLES ±1°					

Amphenol LTM
 安費諾亮泰企業股份有限公司

ITEM NO	UA-20PMFJ-LC7001
DWG NO	UA-20PMFJ-LC7001
CUSTOMER	ALTM

DRAWN BY	Kevin Wang	DATE	2011/09/08
CHECKED BY	Micky	DATE	2011/09/08
APPROVED BY	Victor	DATE	2011/09/08