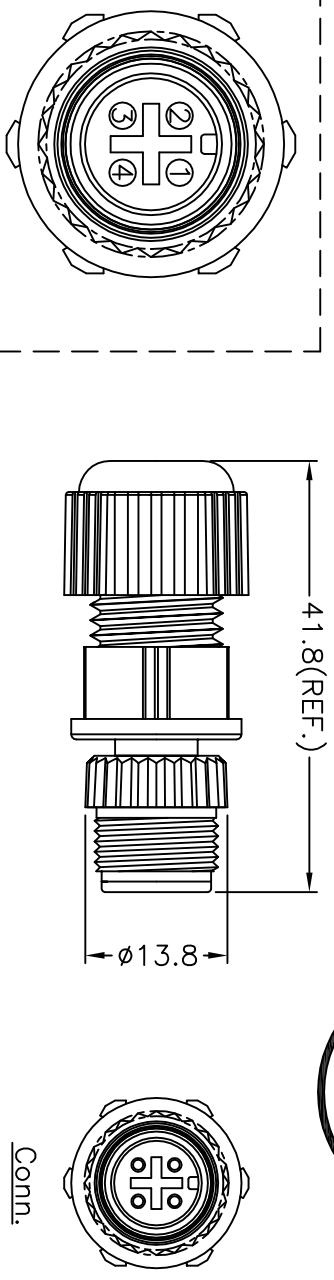
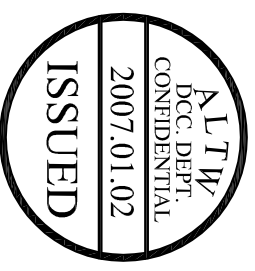
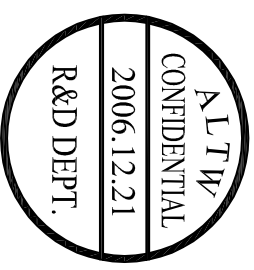
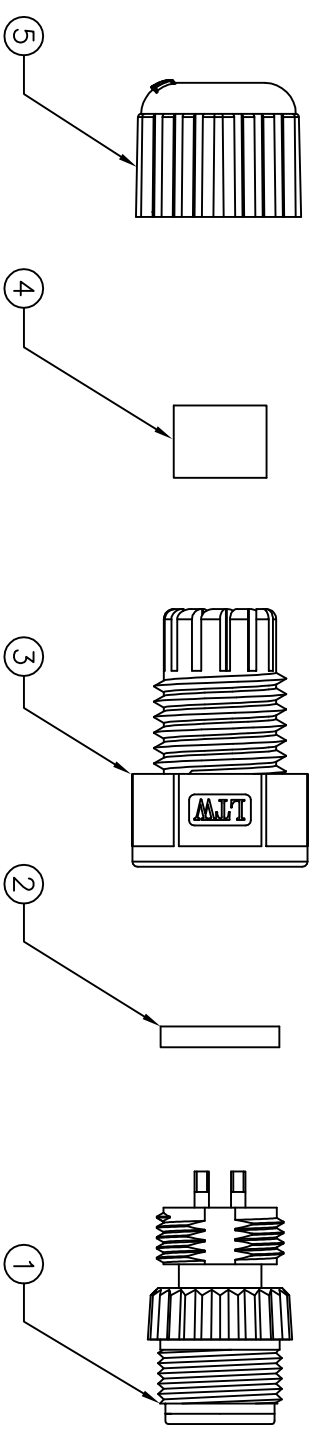


| | | | | | | | |
|------|----------|------|------|-------------|---|---|---|
| 1 | 2 | 3 | 4 | 5 | 6 | 7 | 8 |
| REV. | EGR. NO. | DATE | SIGN | DESCRIPTION | | | |
| | | | | | | | |
| | | | | | | | |



Pin Assignments
Front View

- Note:
- * @Important Dimension To Check.
 - * Waterproof Rate: IP68
 - * Housing: Black, Nylon+GF
 - * Pin: Copper Alloy, Gold Plated
 - * Nut: Black, Nylon+GF
 - * Gasket: Black, EPDM
 - * Clamp Ring: Black, Nylon
 - * Sealing Nut: Black, Nylon
 - * Seal: Black, EPDM
 - * Seal For Cable OD: ϕ 4.5mm~ ϕ 6.5mm

| | | | | | | | | | |
|-----------|--------------|-------|-----------------|--|-------------------|-------------|---------------|---|------------|
| UNIT:mm | | TITLE | M12 Conn | ITEM NO | 12P-04BMMA-SL8001 | DRAWN BY | JASON Mangas | DATE | 2006/12/21 |
| TOLERANCE | ± 0.5 mm | SCALE | Free | Assy Screw 4Pin M Conn M Pin | DWG NO | CHECKED BY | AIAN MJ Sundo | DATE | 2006/12/21 |
| REV. | A | SIZE | A4 | SHEET | 1 OF 1 | APPROVED BY | Max Hung | DATE | 2006/12/21 |
| | | @ | Inspection Item | | CUSTOMER | | | | |
| | | | | <h1>Amphenol LTW</h1> <p>安費諾亮泰企業股份有限公司</p> | | | | | |
| 1 | 2 | 3 | 4 | 5 | 6 | 7 | 8 | THIS DOCUMENT IS SUBJECT TO CHANGE WITHOUT NOTICE. IT IS CONFIDENTIAL AND A PROPERTY OF Amphenol LTM. DISCLOSURE TO THIRD PARTY HAS TO BE AUTHORIZED BY Amphenol LTM. | |