

## FEATURES AND SPECIFICATIONS

### Features and Benefits

- High current
- Fully polarized
- Positive locks
- Low engagement force
- Wire-to-board
- Metal board retention clip
- Surface Mount Compatible

### Reference Information

Product Specification: PS-42815-0001  
 Packaging: Tray  
 UL File No.: E29179  
 CSA File No.: LR19980  
 TUV License No.: R9751144  
 Mates With: 42816 receptacle housing  
 Designed In: Millimeters

### Electrical

Voltage: 600V  
 Current: 48.0A max.\*  
 Contact Resistance: 1.5mΩ max.  
 Dielectric Withstanding Voltage: 2200V  
 Insulation Resistance: 1000 MΩ min.

### Mechanical

Insertion Force to PCB: 19.6N max.  
 Normal Force: 1.96N min.  
 Durability: 30 cycles

### Physical

Housing: Glass-filled, 4/6 nylon, UL 94V-0  
 Contact: Copper Alloy  
 Plating: Tin/Lead over Nickel  
 Operating Temperature: -40 to +105°C  
 PCB Thickness: 1.57, 2.36, 3.17, or 6.35mm  
 (.062, .093, .125, or .250")

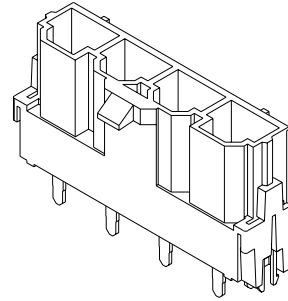
\* Depending on circuit size, wire gauge and PCB. Please refer to product specification.



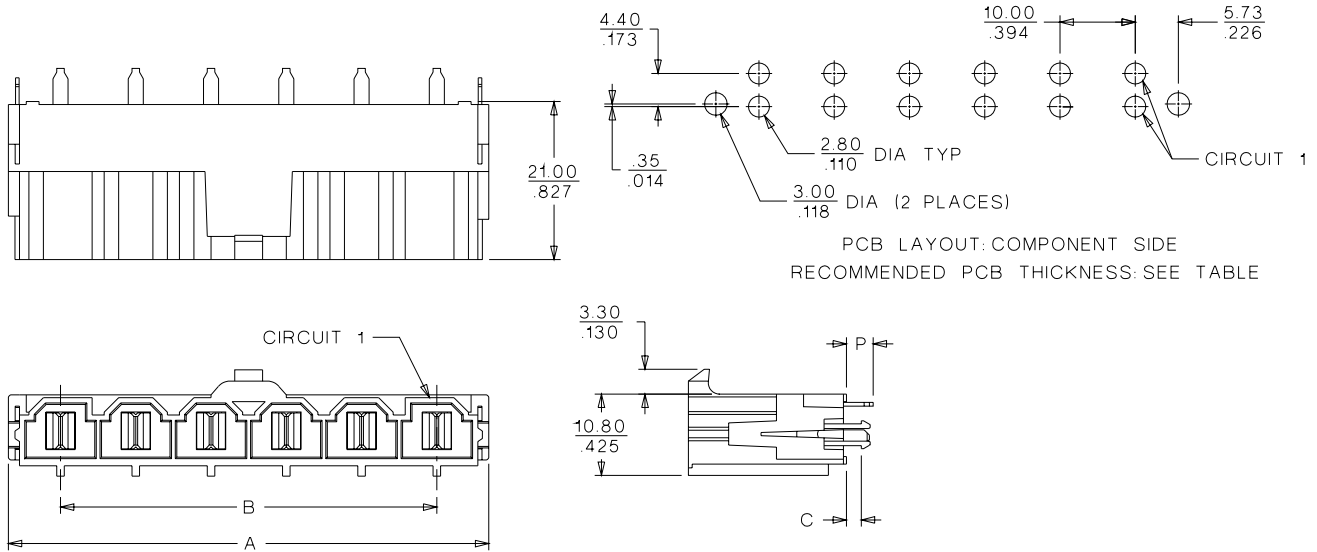
# 10.00mm (.393") Pitch Mini-Fit, Sr.™ Header

## 42819

## Vertical, Single Row Metal Clip Mount SMC



## CATALOG DRAWING (FOR REFERENCE ONLY)



## ORDERING INFORMATION AND DIMENSIONS

Circuits	Order No.	PCB Thickness	Dimension			
			A	B	C	P
2	42819-2212	1.57 (.062)	23.82 (.937)	10.00 (.393)	1.80 (.070)	3.50 (.137)
	42819-2222	2.36 (.093)			2.60 (.102)	5.10 (.200)
	42819-2232	3.18 (.125)			3.40 (.133)	5.10 (.200)
	42819-2242	6.35 (.250)			3.40 (.133)	8.30 (.327)
3	42819-3212	1.57 (.062)	33.82 (1.331)	20.00 (.787)	1.80 (.070)	3.50 (.137)
	42819-3222	2.36 (.093)			2.60 (.102)	5.10 (.200)
	42819-3232	3.18 (.125)			3.40 (.133)	5.10 (.200)
	42819-3242	6.35 (.250)			3.40 (.133)	8.30 (.327)
4	42819-4212	1.57 (.062)	43.82 (1.725)	30.00 (1.181)	1.80 (.070)	3.50 (.137)
	42819-4222	2.36 (.093)			2.60 (.102)	5.10 (.200)
	42819-4232	3.18 (.125)			3.40 (.133)	5.10 (.200)
	42819-4242	6.35 (.250)			3.40 (.133)	8.30 (.327)

Circuits	Order No.	PCB Thickness	Dimension			
			A	B	C	P
5	42819-5212	1.57 (.062)	53.82 (2.118)	40.00 (1.574)	1.80 (.070)	3.50 (.137)
	42819-5222	2.36 (.093)			2.60 (.102)	5.10 (.200)
	42819-5232	3.18 (.125)			3.40 (.133)	5.10 (.200)
	42819-5242	6.35 (.250)			3.40 (.133)	8.30 (.327)
6	42819-6212	1.57 (.062)	63.82 (2.512)	50.00 (1.968)	1.80 (.070)	3.50 (.137)
	42819-6222	2.36 (.093)			2.60 (.102)	5.10 (.200)
	42819-6232	3.18 (.125)			3.40 (.133)	5.10 (.200)
	42819-6242	6.35 (.250)			3.40 (.133)	8.30 (.327)