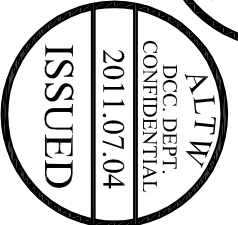
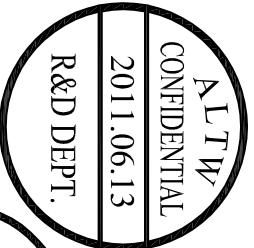
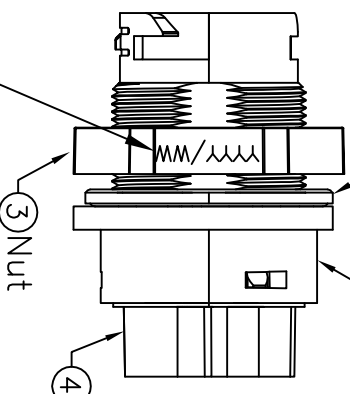


| REV. | EGN NO. | DATE | SIGN | DESCRIPTION |
|------|---------|------|------|-------------|
| | | | | |
| | | | | |
| | | | | |



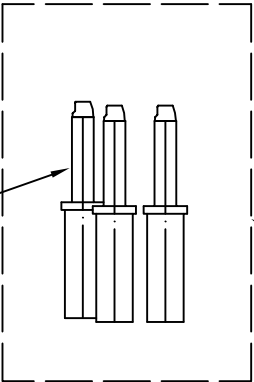
① Male Housing



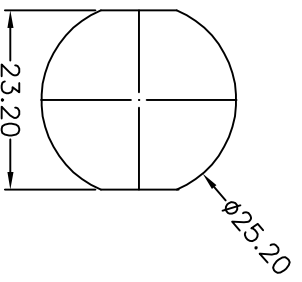
③ Nut

④ Ins_Housing

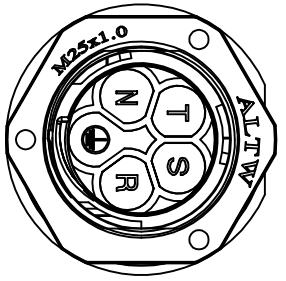
⑤ PE Bag
(HPE00910085)



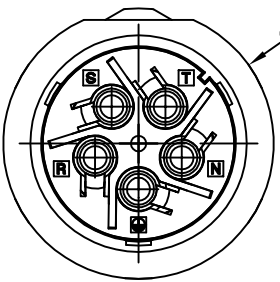
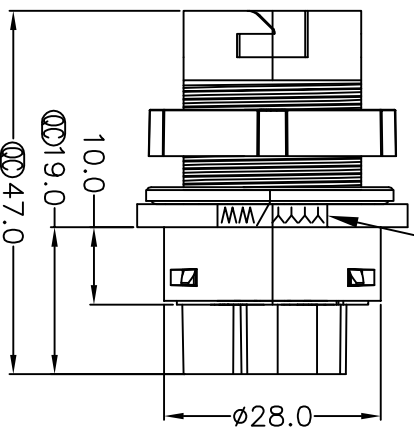
⑥ Male Pin Ass'y



Recommended Panel Cut-Out



Conn.
Pin Assignments
Front View



Note:

- * ⑥ Important Dimensions To Check. (重點檢查尺寸)
- * Voltage (電壓) : AC 660V ; DC 1000V
- * Current (電流) : 25A
- * Please refer to manual for Ass'y instruction (使用方式請參閱組裝說明書)
- * Standard (認證) : ULXXXXX ; CSAXXXXX ; TUVXXXXXX
- * Waterproof Rate (防水等級) : IP68_3M6H (Mating 對接)
- * Male Housing (母膠芯) : m-PPE(F1), Black (黑)
- * Male Pin (公端子) : Copper (銅), Tin Plated (鍍錫)
- * Gasket (墊片) : Silicone (矽樹脂), Gray (灰)
- * Wire Size (導體尺寸) : 12AWG
- * Flame Class (防火等級) : UL94V-0
- * Recommended Panel Thickness: 0.5mm~8mm (建議面板厚度)
- * One Set Ass'y Instructions in one PE Bag. (每包袋子中含有組裝說明書)

UNIT:mm

TITLE
PV Connector 5Pin Panel

TOLERANCE
.X ±0.25
XX ±0.1
XXX ±0.05
ANGLES ±1°

SCALE
REV. A

FREQ SIZE A4

SHEET 1 OF 1

⑥ : Inspection Item

Amphenol LTW

安費諾亮泰企業股份有限公司

| ITEM NO | DWG NO | CUSTOMER | DRAWN BY | CHECKED BY | APPROVED BY | DATE |
|--------------------|--------------------|----------|----------|------------|-------------|------------|
| PV/H-05PMMC-LC8001 | PV/H-05PMMC-LC8001 | ALTW | Micky | Kevin | Victor | 2011/06/13 |
| | | | | | | |
| | | | | | | |