

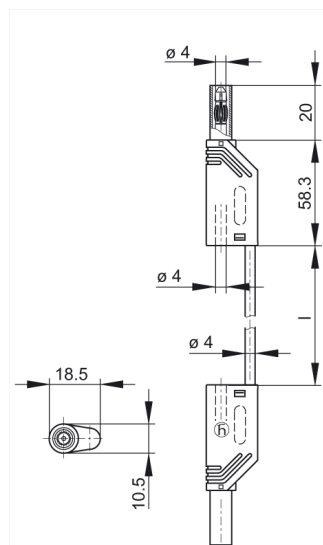
## MLS WS 100/1 rot/red

Industrial Connectors:Measuring and Testing Equipment:Measuring leads:4 mm safety system

### Product description

Description	Safety measuring lead, at either end 4 mm diameter safety connector with onward connection capability. Nickel-plated copper beryllium contact spring. Highly flexible, double insulated stranded lead, shatter-proof grip sleeve and lead. In accordance to IEC 61010 standards. Built in colour indicator for easy identification of insulation damages.
Type	MLS WS 100/1 rot/red
Order No.	934 095-101
System	4 mm safety system
Cable length	100 cm
Conductor size	1 mm <sup>2</sup>
Cable material	PVC
Cable color	red
Housing Color	red
Other standard types	black color, order no. 934 095-100; blue color, order no. 934 095-102; yellow color, order no. 934 095-103; green color, order no. 934 095-104

### Drawing



### Technical data

Pin dimensions	4 mm
Type of contact	pin (spring loaded) and socket
Type of termination	4 mm diameter pin and socket
Cable type	LEH-XY

Cable specification	highly flexible lead
Wire stranding	259 x 0,07
Standard	IEC 61010
Rated voltage	AC/DC 1000 V
Measurement Category	CAT II
Rated current	16 A
Contact resistance	22 mOhm
Certificates	CE
<b>Material</b>	
Contact material	copper beryllium
Contact surface material	nickel-plated
Housing material	PA
<b>Environmental conditions</b>	
Temperature range	-15 °C to +70 °C
<b>Inflammability class</b>	
Cable	94 HB
Housing	94 V-2