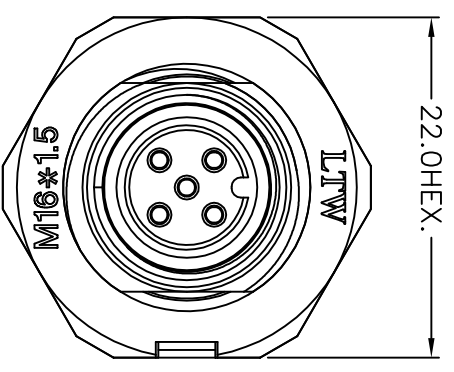
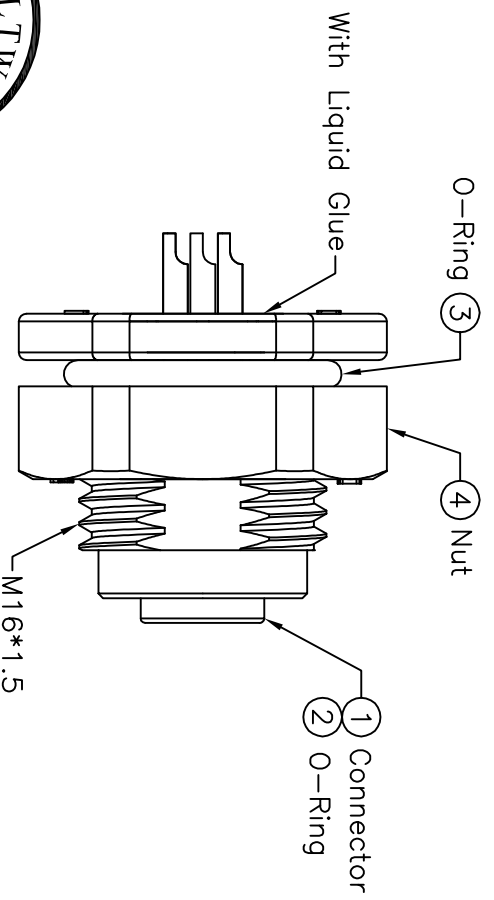
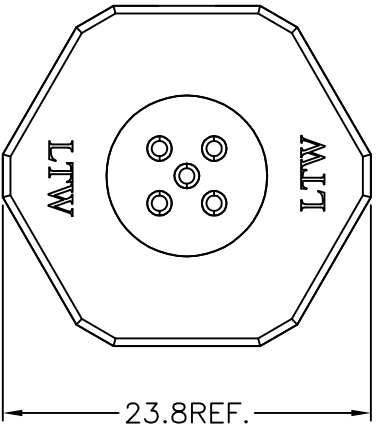
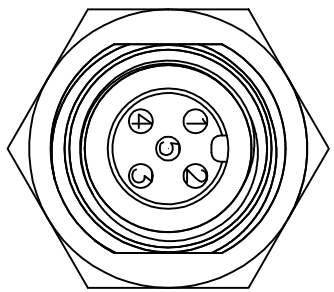


REV.	ECN NO.	DATE	SIGN	DESCRIPTION

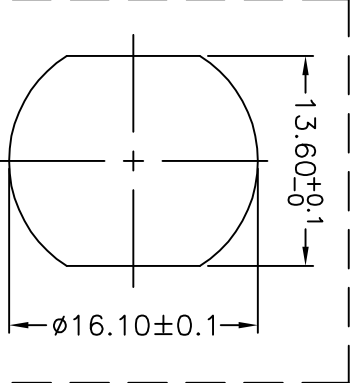


ALTM
DCC. DEPT.
CONFIDENTIAL
2009.08.10
R&D DEPT.

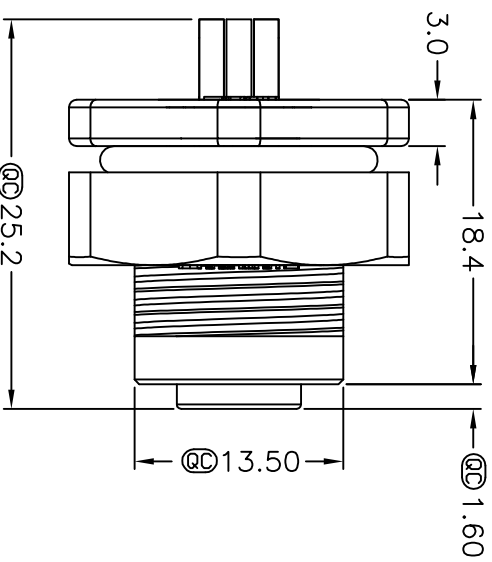
ALTM
DCC. DEPT.
CONFIDENTIAL
2009.08.10
ISSUED



Pin Assignment
Front View



Recommended Panel Cut-Out



- Note:
- * @Dimension Dimension To Check.
 - * Waterproof Rate: IP68
 - * Connector: Nylon+GF, 94V-0, Black
 - * Female Pin: Copper Alloy, Gold Plated
 - * Shield: Nylon+GF, 94V-0, Black
 - * Nut: Nylon+GF, 94V-0, Black
 - * O-Ring(Inner): Silicone, Gray, 94V-0
 - * O-Ring(Outer): Silicone, Gray, 94V-0
 - * For Panel Thickness Max 4.0mm

UNIT:mm	
TOLERANCE	
.X	±0.25
.XX	±0.1
.XXX	±0.05
ANGLES	±1°

TITLE	Sensor,M12,Panel			
SCALE	Free	SIZE	A4	SHEET
REV.	A	OF	1	1
: Inspection Item				

5Pin FConn FPin, Plastic

Amphenol LTW

安費諾亮泰企業股份有限公司

ITEM NO	12P-05PFFS-SF8001
DWG NO	12P-05PFFS-SF8001
CUSTOMER	ALTM

DRAWN BY	Jerry	DATE	2009/08/10
CHECKED BY	Jerry Yan	DATE	2009/08/10
APPROVED BY	Victor	DATE	2009/08/10