

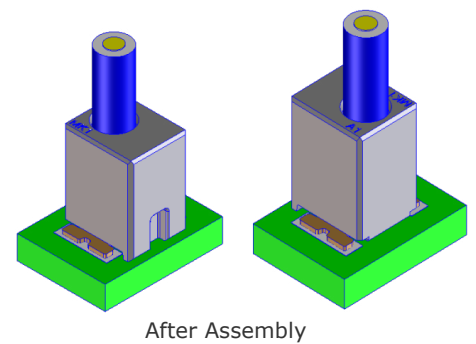
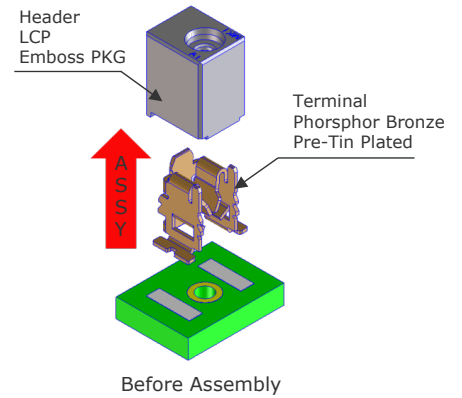
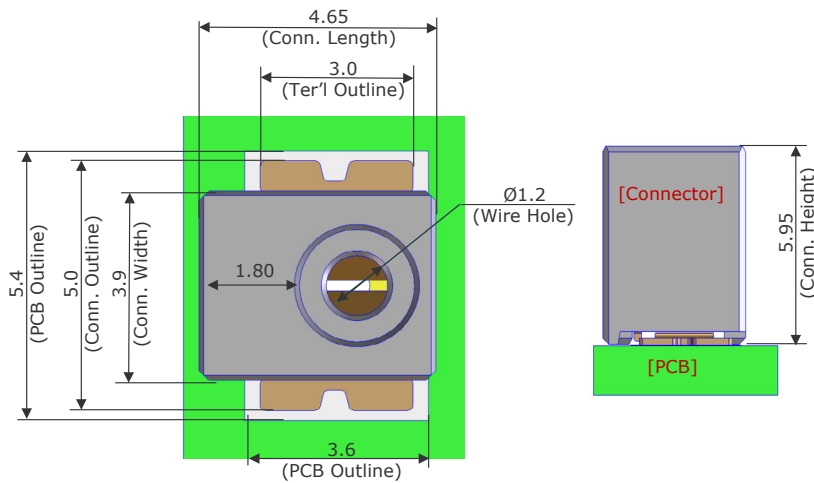
Lite-Trap Wire-to-Board Connector Vertical Entry, 1-Circuit



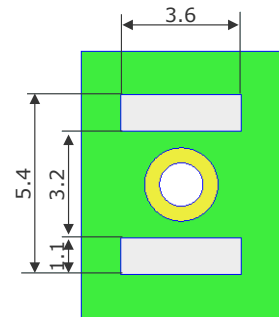
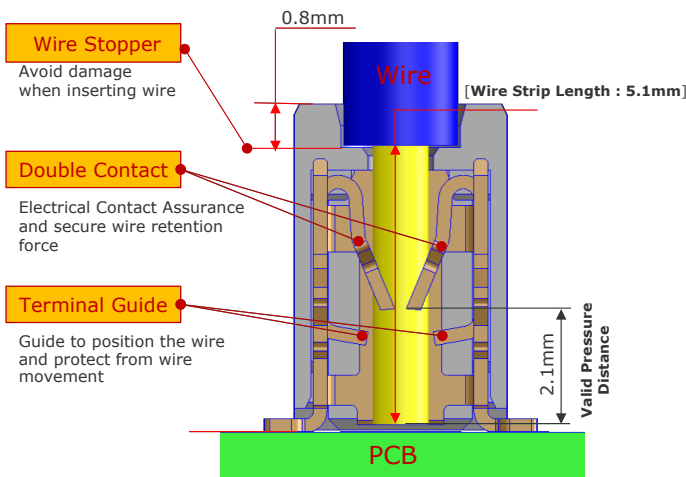
The vertical wire-entry Lite-Trap connector expands the selection of options available for securing wires to PCBs in security devices, datacom equipment, LED drivers and other applications, enabling cost savings within limited design spaces

Features and Benefits

Outline Dimension and PCB Pattern

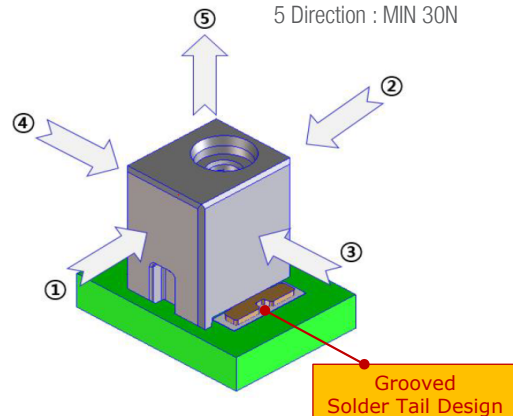


Cross Section



Grooved Solder Tail Design to secure strong PCB retention force

PCB Retention Force
1,2,3,4 Direction : MIN 50N
5 Direction : MIN 30N



Lite-Trap Wire-to-Board Connector Vertical Entry, 1-Circuit

molex

Applications

Marine

- SONAR
- Fish Detector

Security

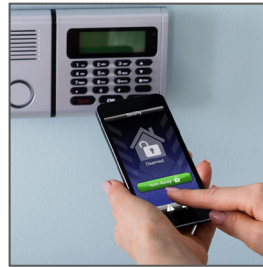
- Security System Controller

Solid State Lighting

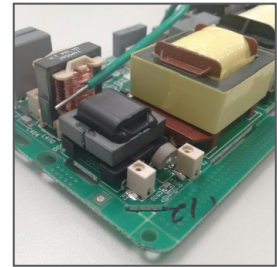
- LED Driver



SONAR/Fish Detector



Security System Controller



LED Driver

Specifications

REFERENCE INFORMATION

Packaging: Embossed tape
Designed In: Millimeters
RoHS: Compliant
Halogen Free: Low-halogen

ELECTRICAL

Voltage (max.): 431V
Current (max.): 3.0A
Contact Resistance (max.): 10 Milliohms
Insulation Resistance (min.): 1,000 Megaohms

PHYSICAL

Circuit Size: 1-Circuit
Locking Type: 1 time permanent connection
with additional terminal guide
Wire Gauge Range: 18 AWG
Plating: Tin-plated
Operating Temperature: -40 to +130oC
Resin Material: LCP(UL 94 V-0, Low Halogen)

Ordering Information

Series No.	Description	Circuits
202394-0110	Lite-Trap Wire-to-Board Connector System, Vertical Entry, 1-Circuit	1

www.molex.com/link/litetrp.html

Molex is a registered trademark of Molex, LLC in the United States of America and may be registered in other countries; all other trademarks listed herein belong to their respective owners.